

Job Name: 25-3308 Lexmark Setzer  
 Job Location: Lexington, Ky  
 Contractor: Lagco Inc.

Plant: Beaver Dam  
 10/7/2025 9:01:34 AM

Tech: C.Russ  
 PC: C.Goff



**Structure ID: MH-AA3**

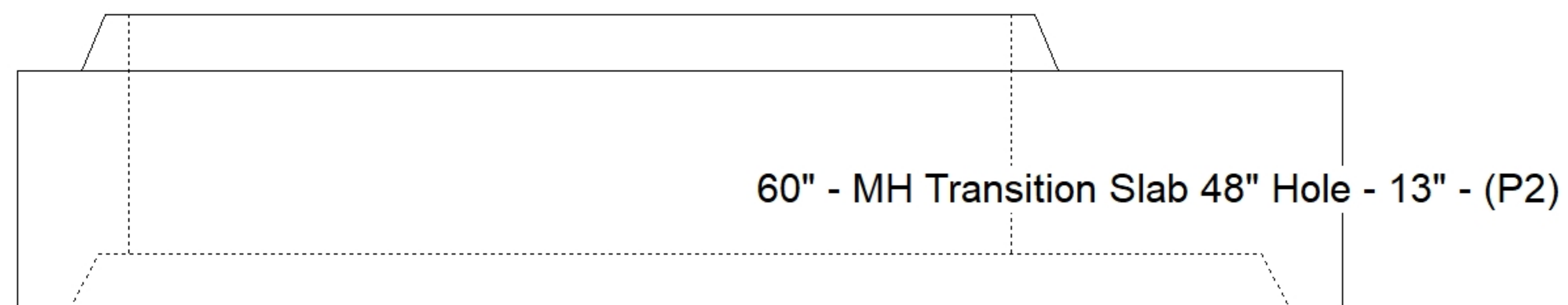
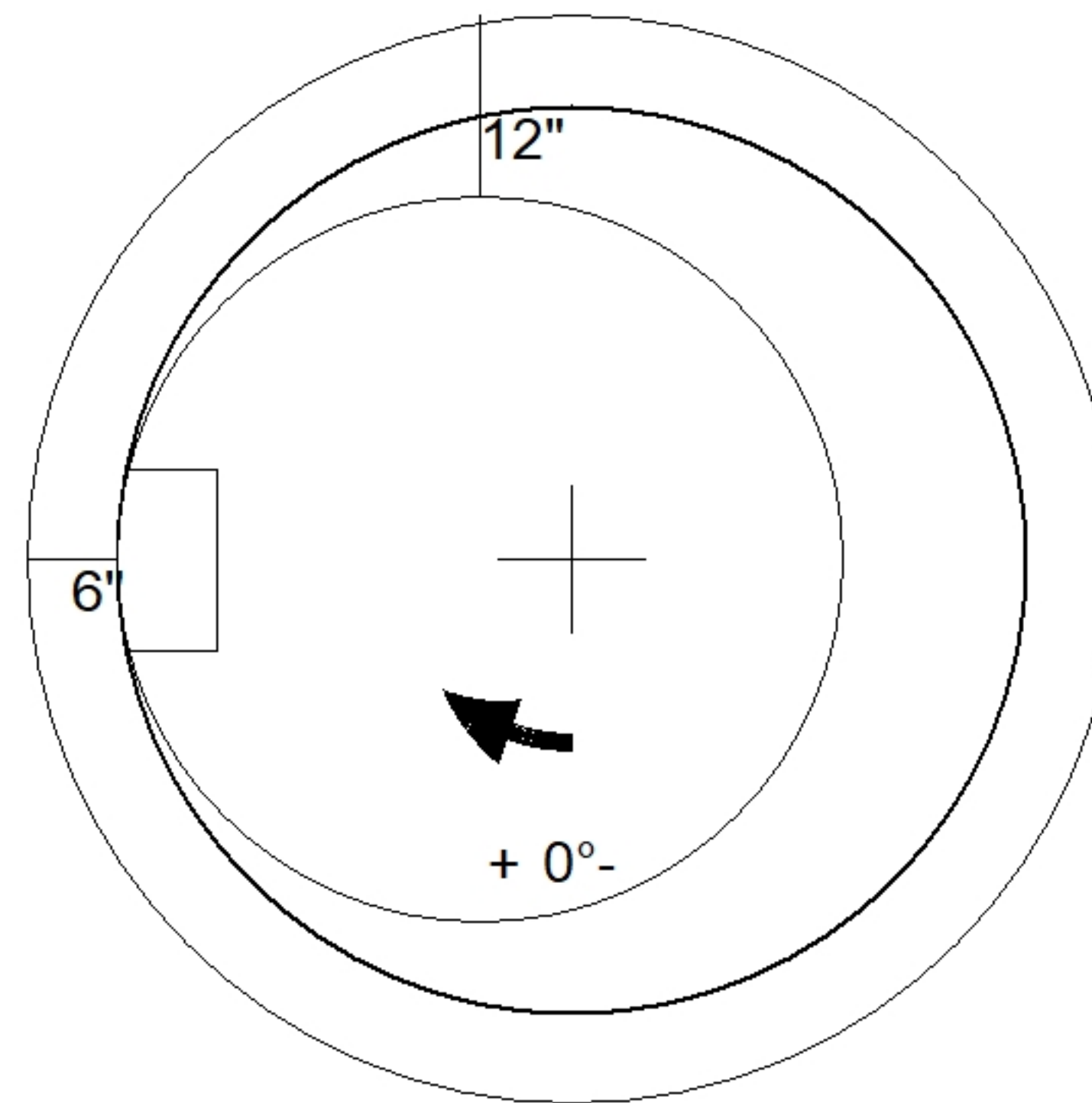
**P2 MH060TS13-48ECC**

**MH Transition Slab 48" Hole**

- P4) 24" - CASTING HEIGHT - 7"
- P3) 48" - ECC CONE w/ 24" HOLE - 42"
- P2) 60" - MH Transition Slab 48" Hole - 13"
- P1) 60" - MH BASE - 60"
- 1) 60" - Conseal CS-202 1.00"
- 1) 48" - Conseal CS-202 1.00"
- 2) Hole - 40"
- 9) MH Step ML-10-TDS-NCR - 10"

0 lb  
 3200 lb  
 1928 lb  
 7633 lb  
 0 lb  
 0 lb  
 0 lb  
 0 lb  
 0 lb  
 -----  
 Structure Total: 12761 lb

**Structure Notes:**  
 1. PER ASTM C478 SPECIFICATIONS.  
 2. CONCRETE = 4,000 PSI AT 28 DAYS.  
 3. HOE MC-350 "STORM" BY ICAST  
 4. REINFORCING PER ASTM A615 (GRADE 60).  
 - CONE (As .12)  
 - TRANSITION SLAB (As .62) #5 BARS AT 6" C.C.E.W..  
 - RISER/WALLS (As .18)  
 - FLOOR (As .37) #5 BARS AT 10" C.C.E.W.  
  
 RFI: MH-AA1: VERIFY IF AN OPENING IS REQUIRED FOR THE FUTURE 30" RCP INLET LINE AS CURRENTLY SHOWN IN THIS SUBMITTAL. ICAST COULD SUPPLY A 2" THICK



Coating (Int): Coating (Ext):	Seam Up: Tongue Seam Dn: Groove	Wall Thickness: 6"	Height (Ext): 13"	Weight (Net): 1928 lb Volume (Net): 0.49cu.yd
----------------------------------	------------------------------------	--------------------	-------------------	--