

Structure ID: MH-AA3

P1 MH060BA60 MH BASE

P4) 24" - CASTING HEIGHT - 7" P3) 48" - ECC CONE w/ 24" HOLE - 42" P2) 60" - MH Transition Slab 48" Hole - 13" P1) 60" - MH BASE - 60" 1) 60" - Conseal CS-202 1.00" 1) 48" - Conseal CS-202 1.00" 2) Hole - 40 9) MH Step ML-10-TDS-NCR - 10"	0 lb 3200 lb 1928 lb 7633 lb 0 lb 0 lb 0 lb 0 lb 0 lb ----- Structure Total: 12761 lb
---	---

Structure Notes:

1. PER ASTM C478 SPECIFICATIONS.
2. CONCRETE = 4,000 PSI AT 28 DAYS.
3. HOE MC-350 "STORM" BY ICAST
4. REINFORCING PER ASTM A615 (GRADE 60).
 - CONE (As .12)
 - TRANSITION SLAB (As .62) #5 BARS AT 6" C.C.E.W.
 - RISER/WALLS (As .18)
 - FLOOR (As .37) #5 BARS AT 10" C.C.E.W.

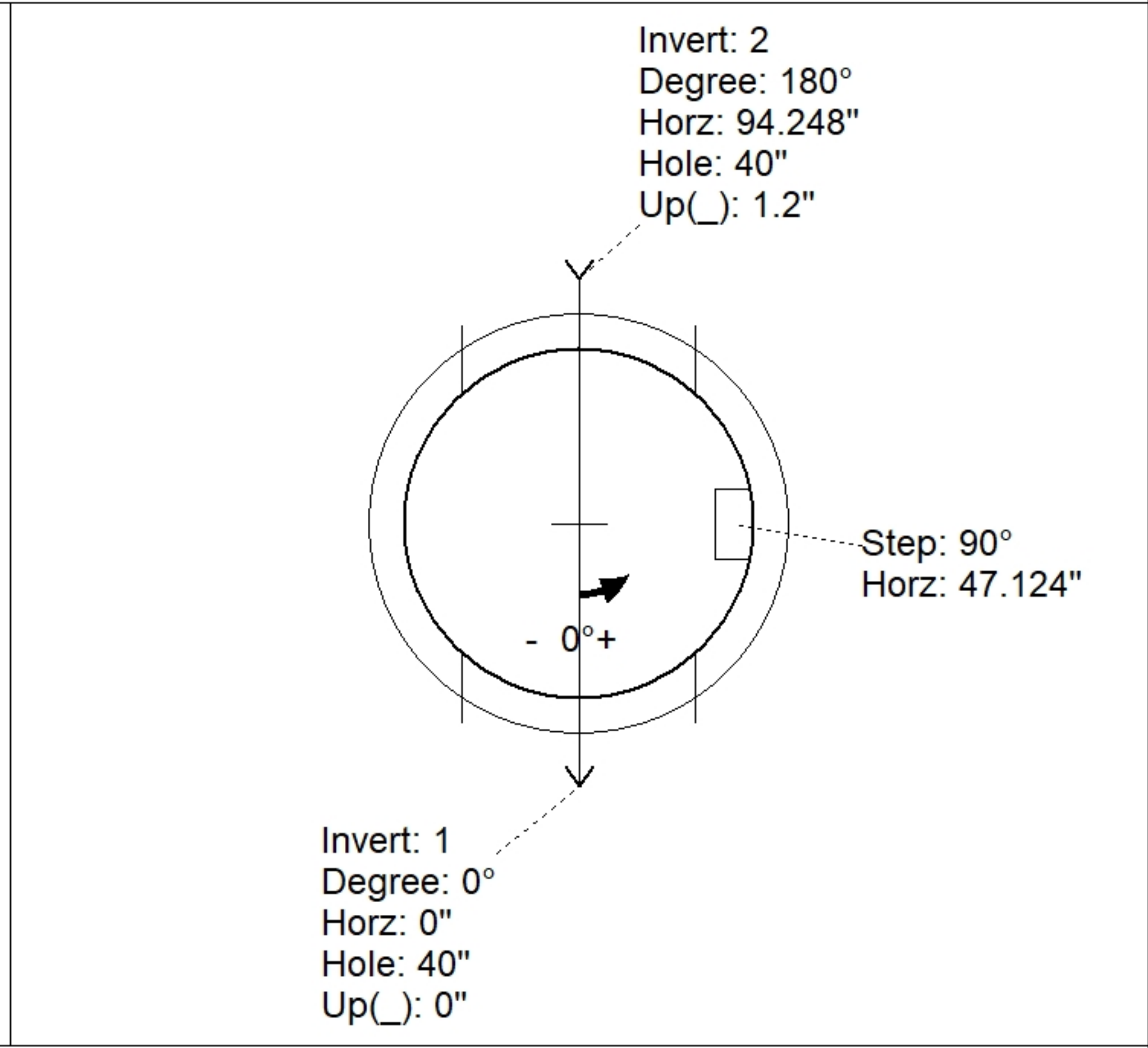
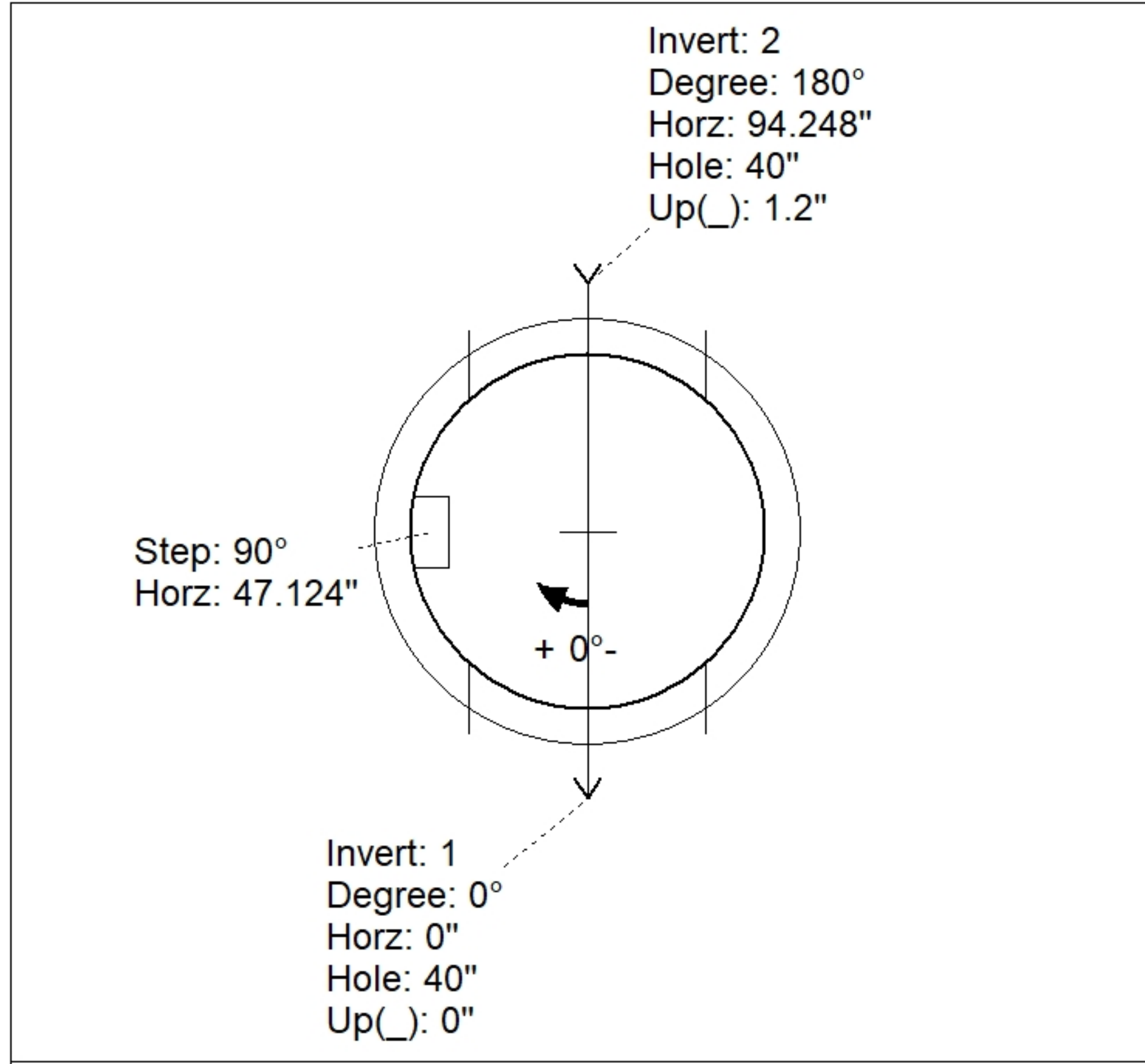
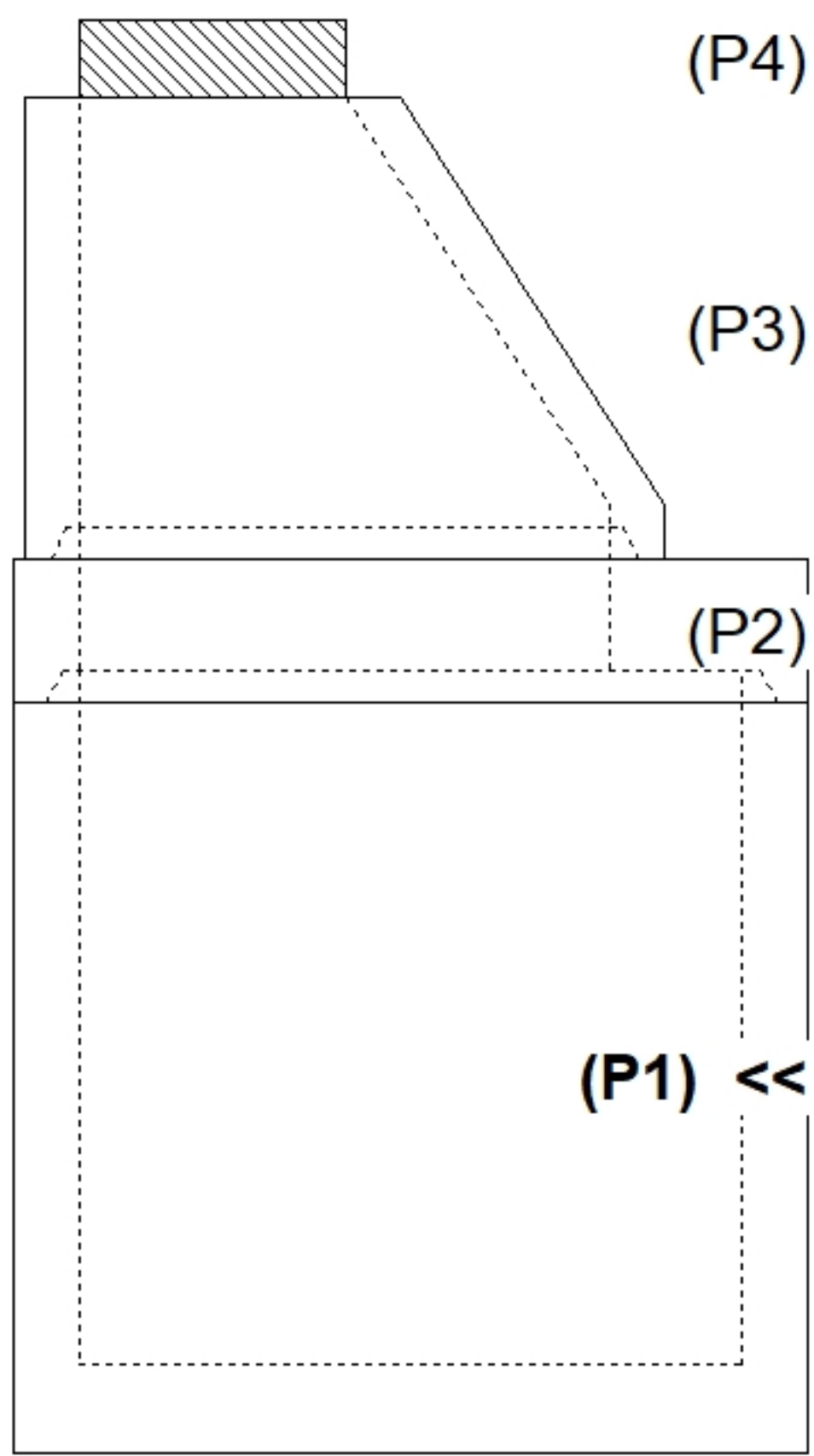
RFI: MH-AA1: VERIFY IF AN OPENING IS REQUIRED FOR THE FUTURE 30" RCP INLET LINE AS CURRENTLY SHOWN IN THIS SUBMITTAL. ICAST COULD SUPPLY A 2" THICK

Rim: 954.7' Rim to Invert: 9.88' Slack: 0.06" Sump: 3.5" Step Position: 90°

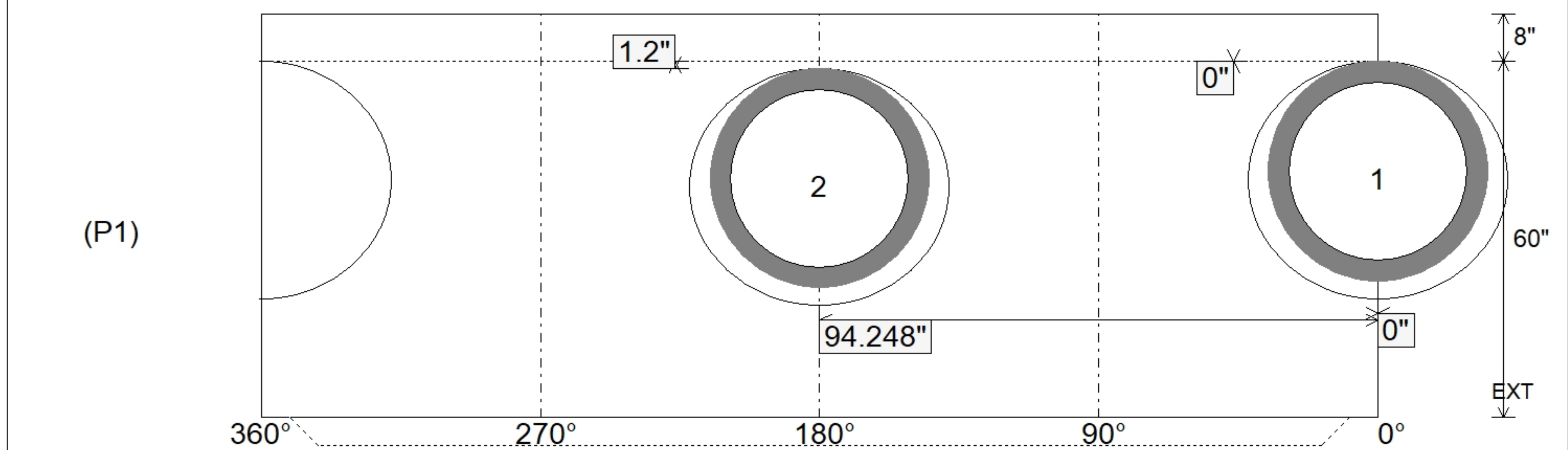
Position	Elev	Angle	Ext. (cw)	Pipe	Pipe OD	Connector	Hole	Horz Size	Up ()	Offset
Invert 1	944.82'	0°	0"	30" RCP B WALL	37"	Hole 40	40"	43.784"	0"	0"
Invert 2	944.92'	180°	113.097"	40" KO PANEL 30" RCP- 2" THICK	37"	Hole 40	40"	43.784"	1.2"	0"
Invert 3										
Invert 4										
Invert 5										
Invert 6										
Invert 7										
Invert 8										

RIGHT-SIDE UP VIEW (int. dimensions)

UPSIDE-DOWN VIEW (int. dimensions)



INSIDE WALL DIMENSIONS



Coating (Int): Coating (Ext):	Seam Up: Tongue Seam Dn: n/a	Wall Thickness: 6" Floor Height: 8"	Height (Int): 60" Height (Ext): 68"	Weight (Net): 7633 lb Volume (Net): 1.95cu.yd
----------------------------------	---------------------------------	--	--	--