

Job Name: 25-3308 Lexmark Setzer  
 Job Location: Lexington, Ky  
 Contractor: Lagco Inc.

Plant: Beaver Dam

Tech: C.Russ

10/7/2025 9:01:33 AM

PC: C.Goff



**Structure ID: MH-AA2**

**P4 MH060LD13**

**MH FLAT TOP w/ 24" ECC Hole**

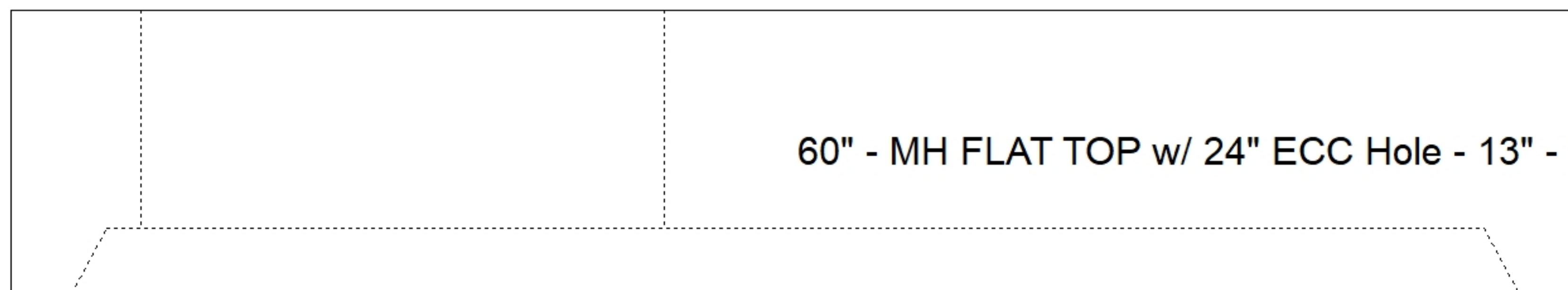
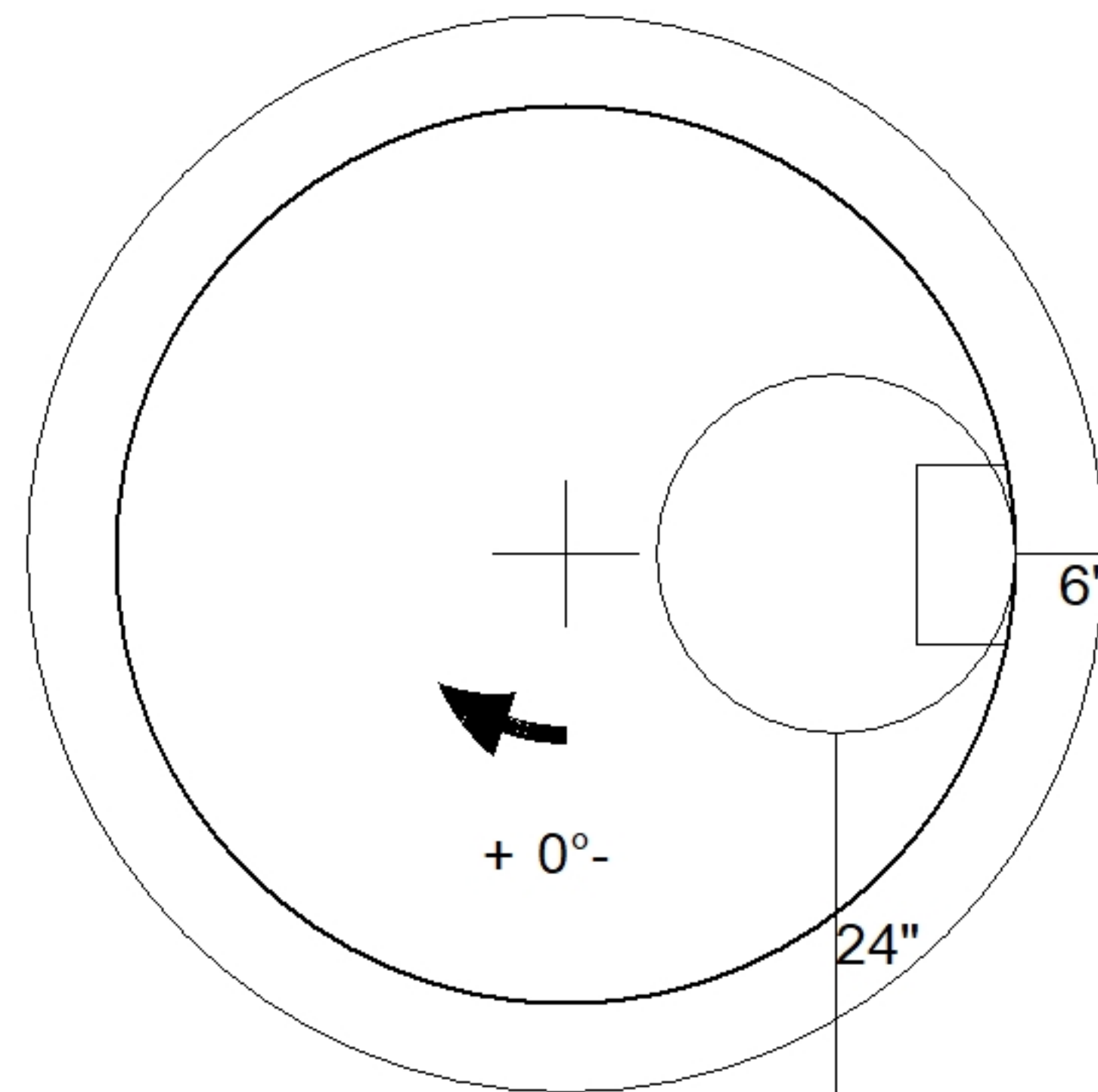
- P5) 24" - CASTING HEIGHT - 7"
- P4) 60" - MH FLAT TOP w/ 24" ECC Hole - 13"
- P3) 60" - MH RISER Custom Ht - 34"
- P2) 60" - MH RISER - 72"
- P1) 60" - MH BASE - 48"
- 3) 60" - Conseal CS-102 1.00"
- 2) Hole - 40
- 10) MH Step ML-10-TDS-NCR - 10"

0 lb  
 2869 lb  
 3549 lb  
 6835 lb  
 7062 lb  
 0 lb  
 0 lb  
 0 lb  
 -----  
 20315 lb

Structure Total:

Structure Notes:

1. PER ASTM C478 SPECIFICATIONS.
2. CONCRETE = 4,000 PSI AT 28 DAYS.
3. HOE MC-350 "STORM" BY ICAST
4. REINFORCING PER ASTM A615 (GRADE 60).
  - TOP SLAB (As .62) #5 BARS AT 6" C.C.E.W..
  - RISER/WALLS (As .18)
  - FLOOR (As .37) #5 BARS AT 10" C.C.E.W.



Coating (Int):  
 Coating (Ext):

Seam Up: Flat  
 Seam Dn: Groove

Wall Thickness: 6"

Height (Ext): 13"

Weight (Net): 2869 lb  
 Volume (Net): 0.73cu.yd