

Job Name: 25-3308 Lexmark Setzer
 Job Location: Lexington, Ky
 Contractor: Lagco Inc.

Plant: Beaver Dam
 10/7/2025 9:01:02 AM

Tech: C.Russ
 PC: C.Goff



Structure ID: MH-AA2

P1 MH060BA48

MH BASE

- P5) 24" - CASTING HEIGHT - 7"
- P4) 60" - MH FLAT TOP w/ 24" ECC Hole - 13"
- P3) 60" - MH RISER Custom Ht - 34"
- P2) 60" - MH RISER - 72"
- P1) 60" - MH BASE - 48"
- 3) 60" - Conseal CS-102 1.00"
- 2) Hole - 40
- 10) MH Step ML-10-TDS-NCR - 10"

0 lb
 2869 lb
 3549 lb
 6835 lb
 7062 lb
 0 lb
 0 lb
 0 lb

 Structure Total: 20315 lb

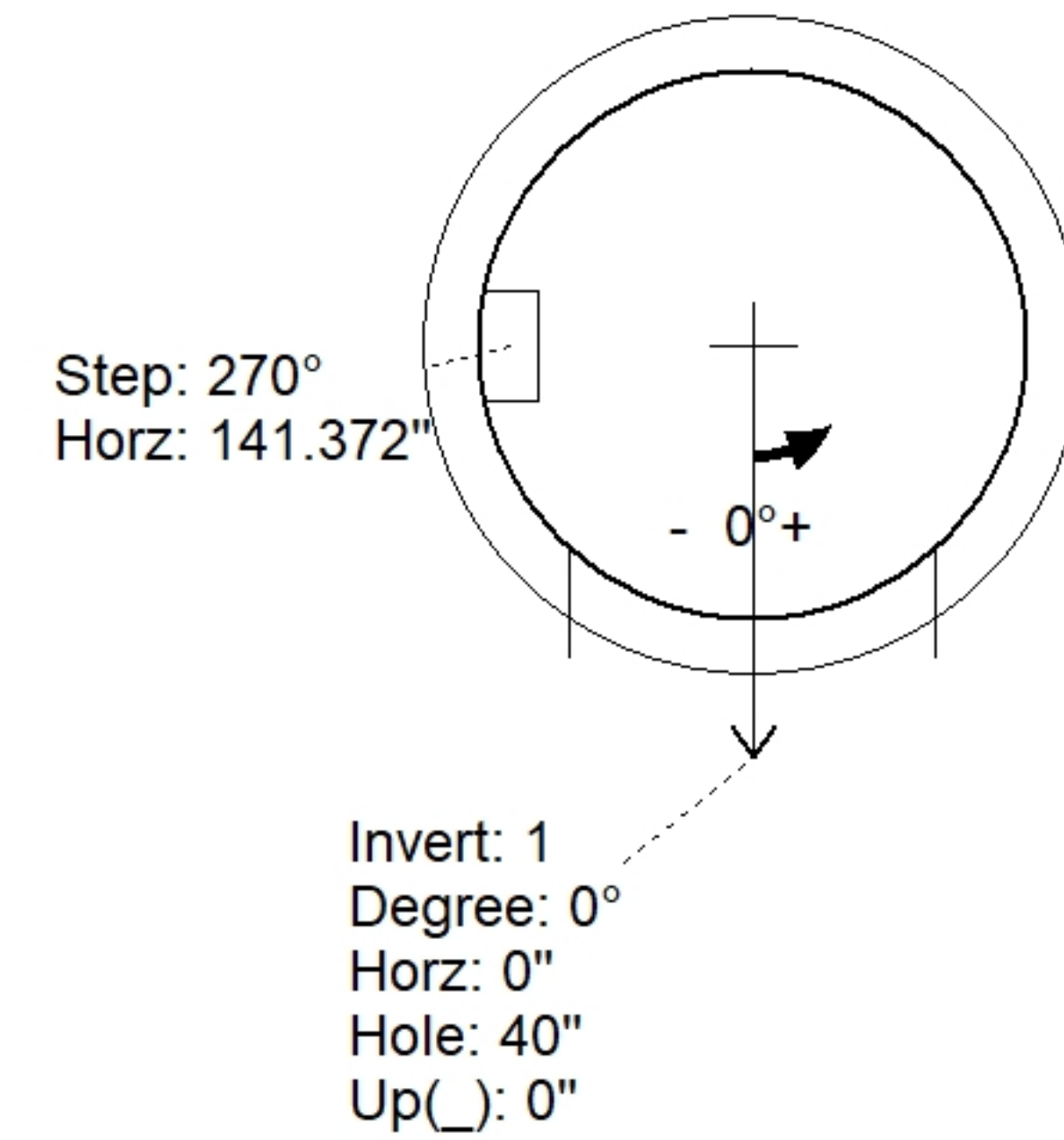
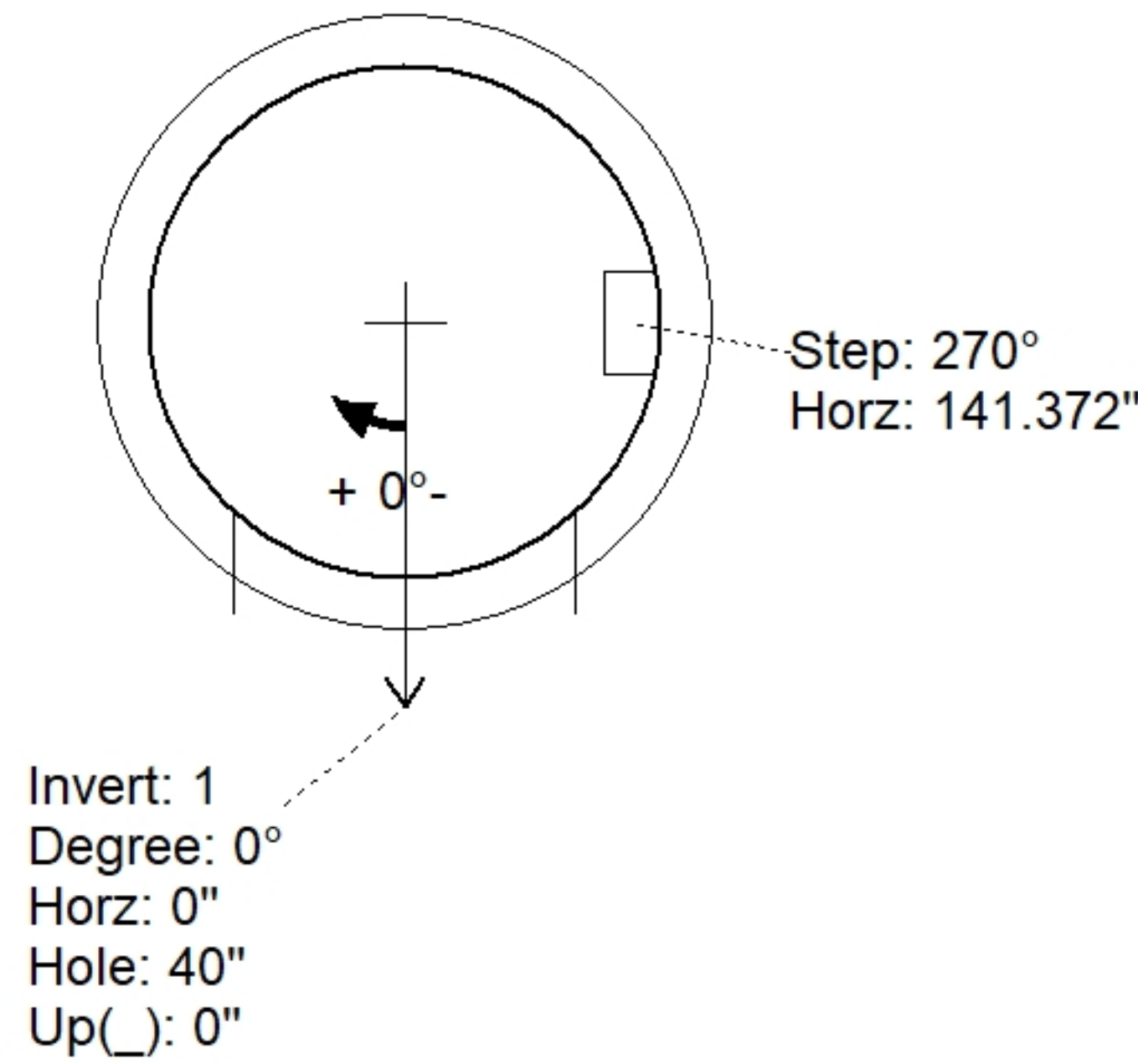
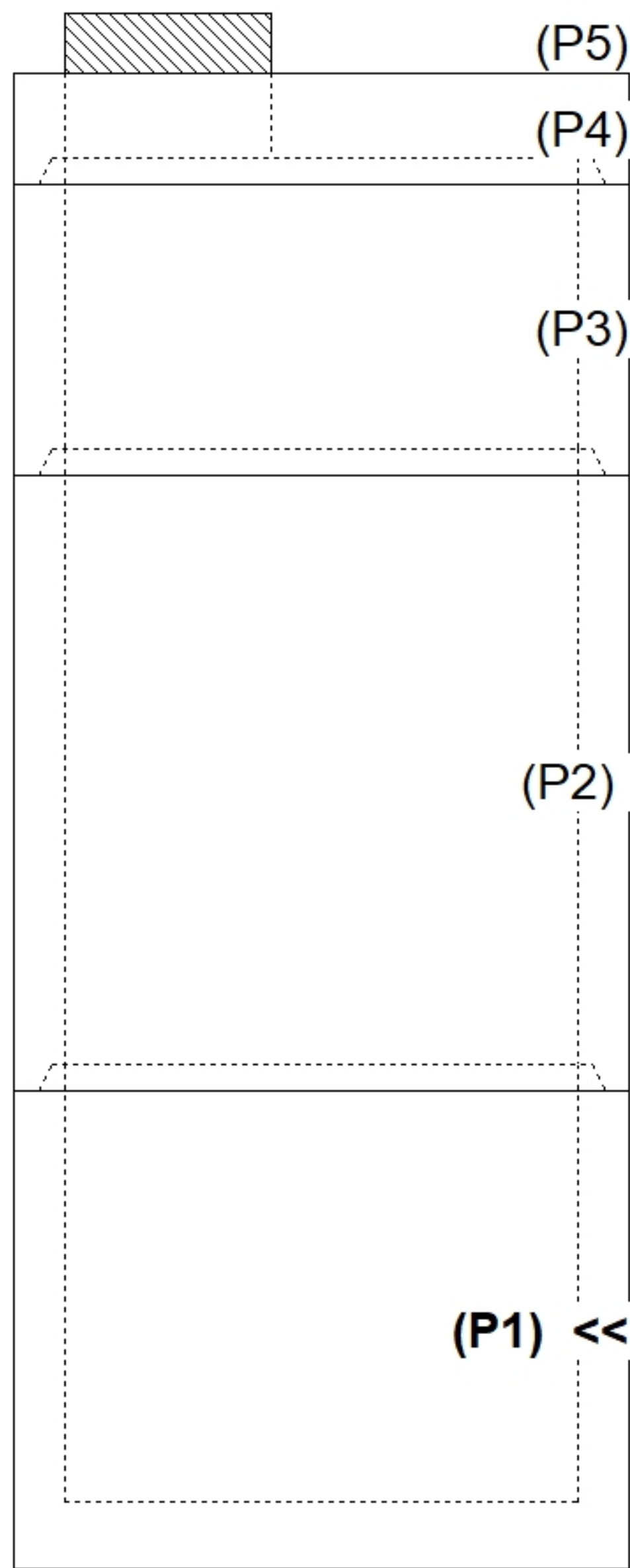
Structure Notes:
 1. PER ASTM C478 SPECIFICATIONS.
 2. CONCRETE = 4,000 PSI AT 28 DAYS.
 3. HOE MC-350 "STORM" BY ICAST
 4. REINFORCING PER ASTM A615 (GRADE 60).
 - TOP SLAB (As .62) #5 BARS AT 6" C.C.E.W..
 - RISER/WALLS (As .18)
 - FLOOR (As .37) #5 BARS AT 10" C.C.E.W.

Rim: 953.5' Rim to Invert: 14.25' Slack: 0.5" Sump: 3.5" Step Position: 270

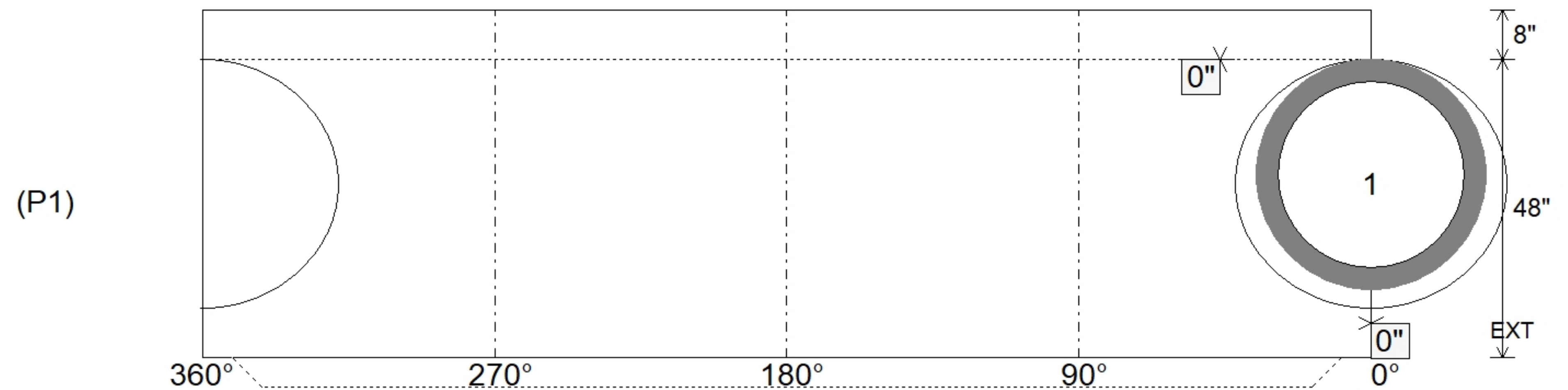
Position	Elev	Angle	Ext. (cw)	Pipe	Pipe OD	Connector	Hole	Horz Size	Up ()	Offset
Invert 1	939.25'	0°	0"	30" RCP B WALL	37"	Hole 40	40"	43.784"	0"	0"
Invert 2										
Invert 3										
Invert 4										
Invert 5										
Invert 6										
Invert 7										
Invert 8										

RIGHT-SIDE UP VIEW (int. dimensions)

UPSIDE-DOWN VIEW (int. dimensions)



INSIDE WALL DIMENSIONS



Coating (Int):
 Coating (Ext):

Seam Up: Tongue
 Seam Dn: n/a

Wall Thickness: 6"
 Floor Height: 8"

Height (Int): 48"
 Height (Ext): 56"

Weight (Net): 7062 lb
 Volume (Net): 1.8cu.yd