

Job Name: 25-3308 Lexmark Setzer
Job Location: Lexington, Ky
Contractor: Lagco Inc.

PC: C.Goff
 TECH: C.Russ
 Plant: Beaver Dam



Structure ID: **MH-AA1**
 Spec: Storm
 Type: BX 8inW, (Open Btm)
 Size: 72" x 72"

Rim: 946'
 Invert: 937.5'
 Rim to Invert: 8.5'

Sump: 0"
 Floor (Top): 937.188'
 Floor Height: 0"

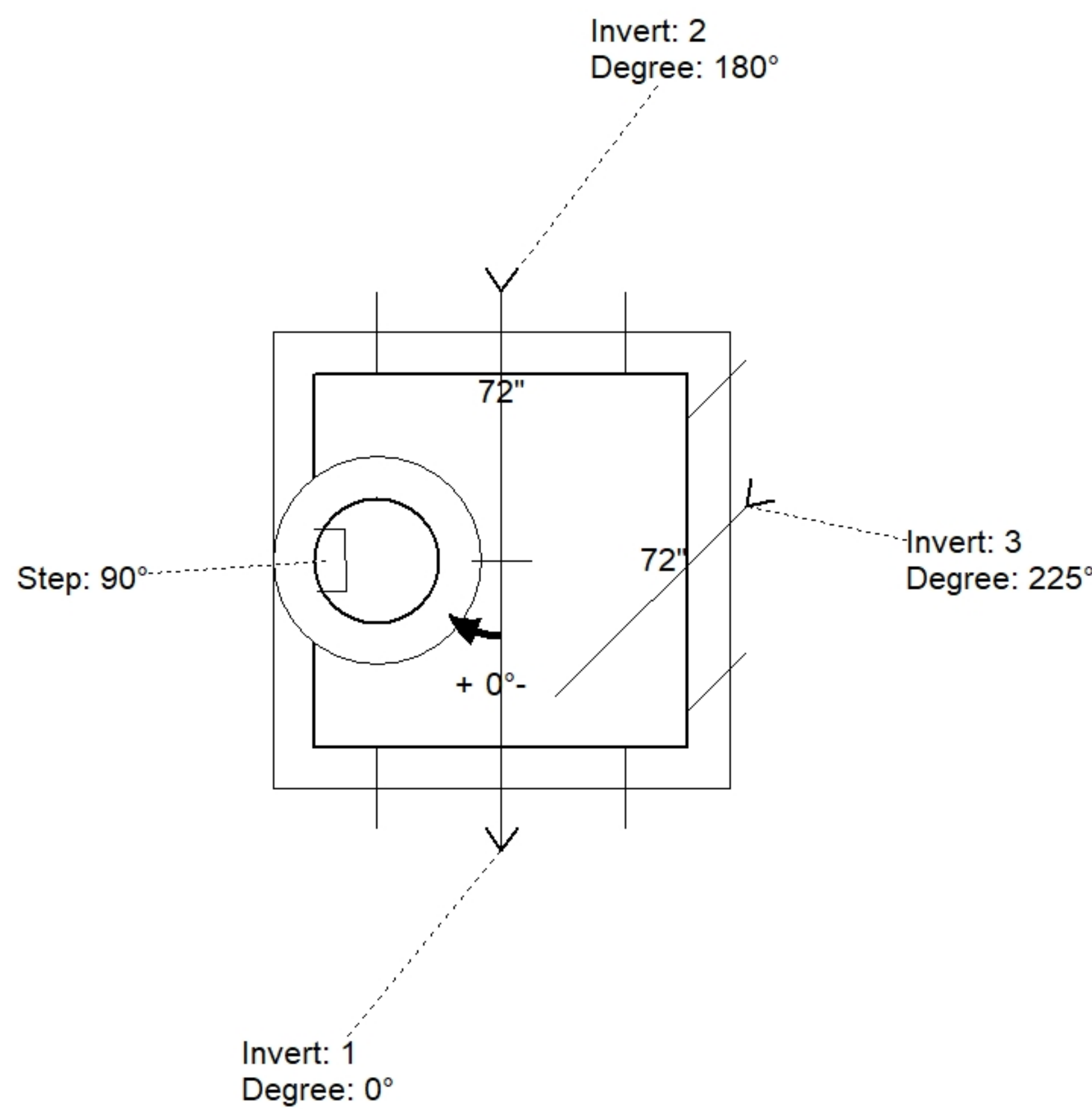
Floor (Bot): 937.188'
 Overall Height: 8.75'
 Slack: 0.75"

Structure Notes:

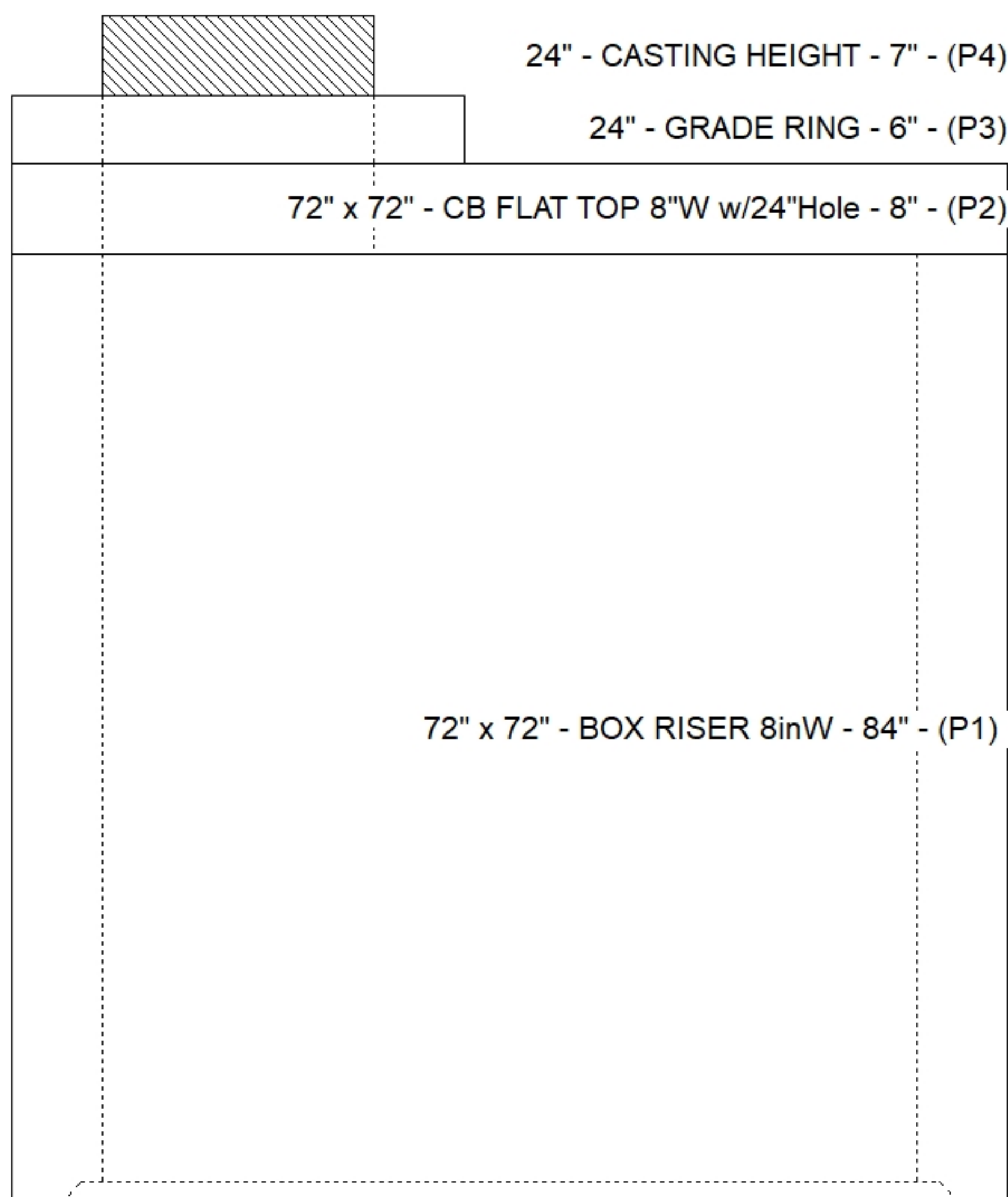
1. PER ASTM C913 SPECIFICATIONS.
2. CONCRETE = 4,000 PSI AT 28 DAYS.
3. HOE MC-350 F/C "STORM" BY ICAST
4. REINFORCEMENT PER ASTM A615
- TOP SLAB #5 BAR @ 8" C.C.E.W.
- WALLS #5 BAR @ 8" C.C.E.W.

STRUCTURE SUMMARY:

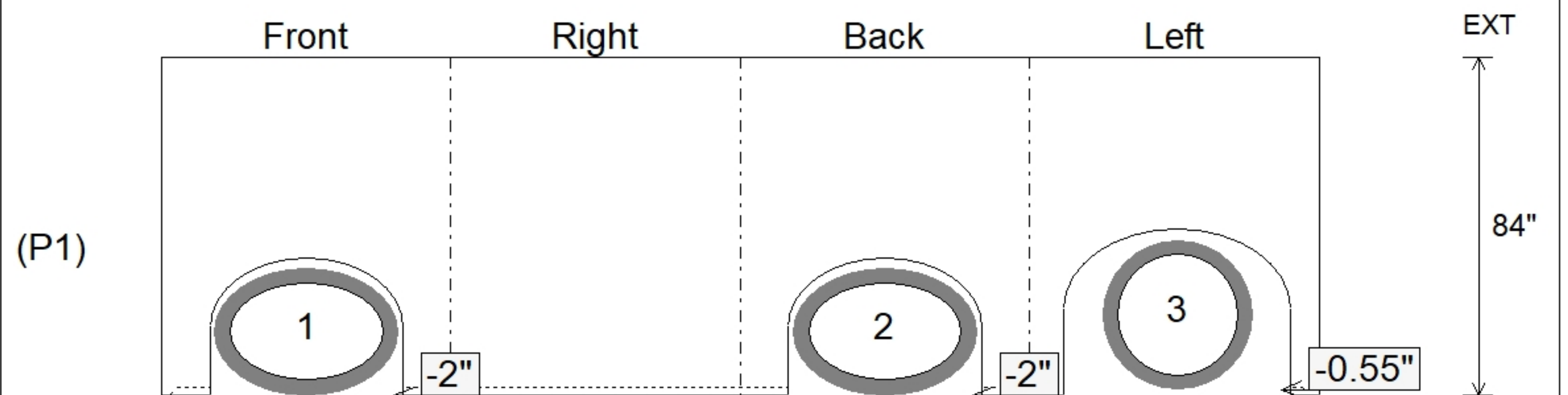
P4) 24" - CASTING HEIGHT - 7"	0 lb
P3) 24" - GRADE RING - 6"	405 lb
P2) 72" x 72" - CB FLAT TOP 8"W w/24"Hole - 8"	4895 lb
P1) 72" x 72" - BOX RISER 8inW - 84"	14677 lb
2) DOGHOUSE - 48"x34"	0 lb
1) DOGHOUSE - 40"x40"	0 lb
8) MH Step ML-10-TDS-NCR - 10"	0 lb
Structure Total:	19977 lb



Position	Elev	Angle	Pipe	Pipe OD	Hole	Connector	Up ()	Ref
Rim	946'							
Reducer								
Invert 1	937.5'	0°	38" x 24" ELL RCP	45.5" x 31.5"	48" x 34"	DOGHOUSE 48"x34"	-2"	P1
Invert 2	937.5'	180°	38" x 24" ELL RCP	45.5" x 31.5"	48" x 34"	DOGHOUSE 48"x34"	-2"	P1
Invert 3	937.6'	225°	30" RCP B WALL	37"	40" x 40"	DOGHOUSE 40"x40"	-0.55"	P1
Invert 4								
Invert 5								
Invert 6								
Invert 7								
Invert 8								



Default - Interior Dimensions



Submittal Drawing
 10/7/2025 9:00:46 AM

SUBMITTAL
 APPROVED BY: