

Job Name: 25-3308 Lexmark Setzer
 Job Location: Lexington, Ky
 Contractor: Lagco Inc.

Plant: Beaver Dam

Tech: C.Russ

10/7/2025 9:01:32 AM

PC: C.Goff



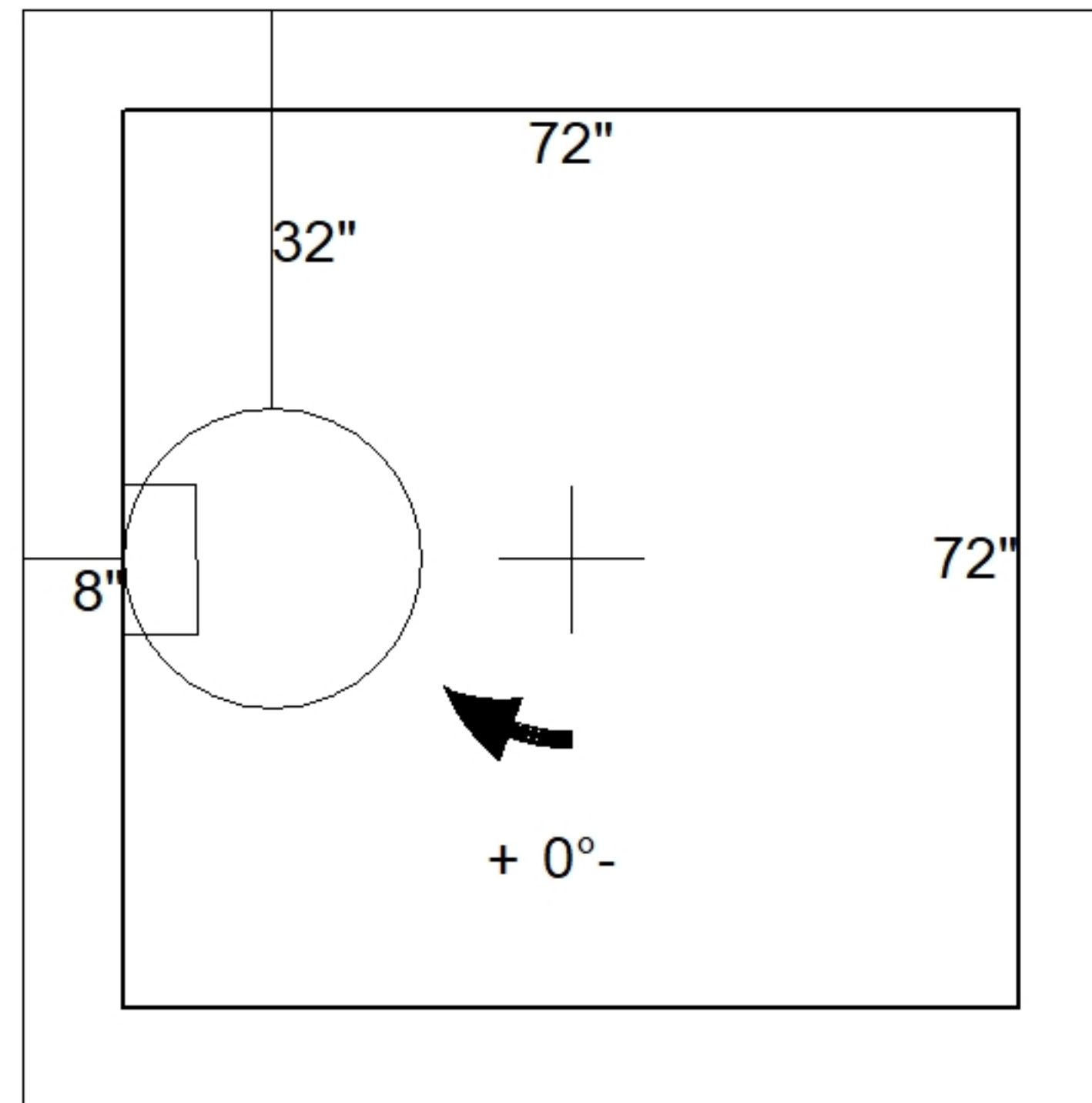
Structure ID: MH-AA1

P2 CTS

CB FLAT TOP 8"W w/24"Hole

P4) 24" - CASTING HEIGHT - 7"	0 lb
P3) 24" - GRADE RING - 6"	405 lb
P2) 72" x 72" - CB FLAT TOP 8"W w/24"Hole - 8"	4895 lb
P1) 72" x 72" - BOX RISER 8inW - 84"	14677 lb
2) DOGHOUSE - 48"x34"	0 lb
1) DOGHOUSE - 40"x40"	0 lb
8) MH Step ML-10-TDS-NCR - 10"	0 lb
Structure Total:	19977 lb

Structure Notes:
 1. PER ASTM C913 SPECIFICATIONS.
 2. CONCRETE = 4,000 PSI AT 28 DAYS.
 3. HOE MC-350 F/C "STORM" BY ICAST
 4. REINFORCEMENT PER ASTM A615
 - TOP SLAB #5 BAR @ 8" C.C.E.W.
 - WALLS #5 BAR @ 8" C.C.E.W.



72" x 72" - CB FLAT TOP 8"W w/24"Hole - 8" - (P2)

Coating (Int): Coating (Ext):	Seam Up: Flat Seam Dn: Flat	Wall Thickness: 8"	Height (Ext): 8"	Weight (Net): 4895 lb Volume (Net): 1.25cu.yd
----------------------------------	--------------------------------	--------------------	------------------	--