

Job Name: 25-3308 Lexmark Setzer
Job Location: Lexington, Ky
Contractor: Lagco Inc.

PC: C.Goff
 TECH: C.Russ
 Plant: Beaver Dam



Structure ID: AA1A
 Spec: Storm
 Type: STM.MH
 Size: 60"

Rim: 947.25'
 Invert: 938.51'
 Rim to Invert: 8.74'

Sump: 3.5"
 Floor (Top): 938.218'
 Floor Height: 8"

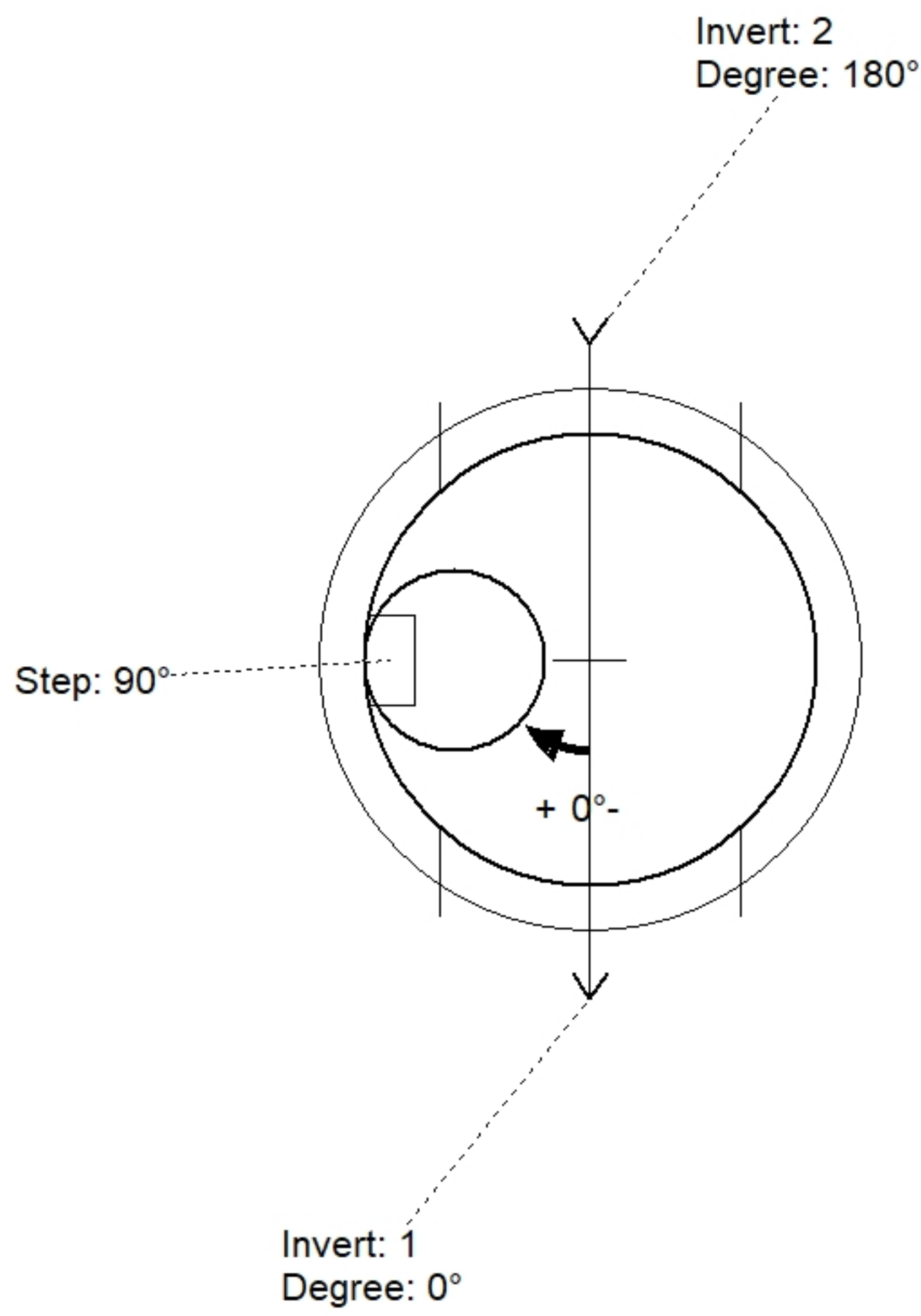
Floor (Bot): 937.552'
 Overall Height: 9.667'
 Slack: 0.38"

Structure Notes:

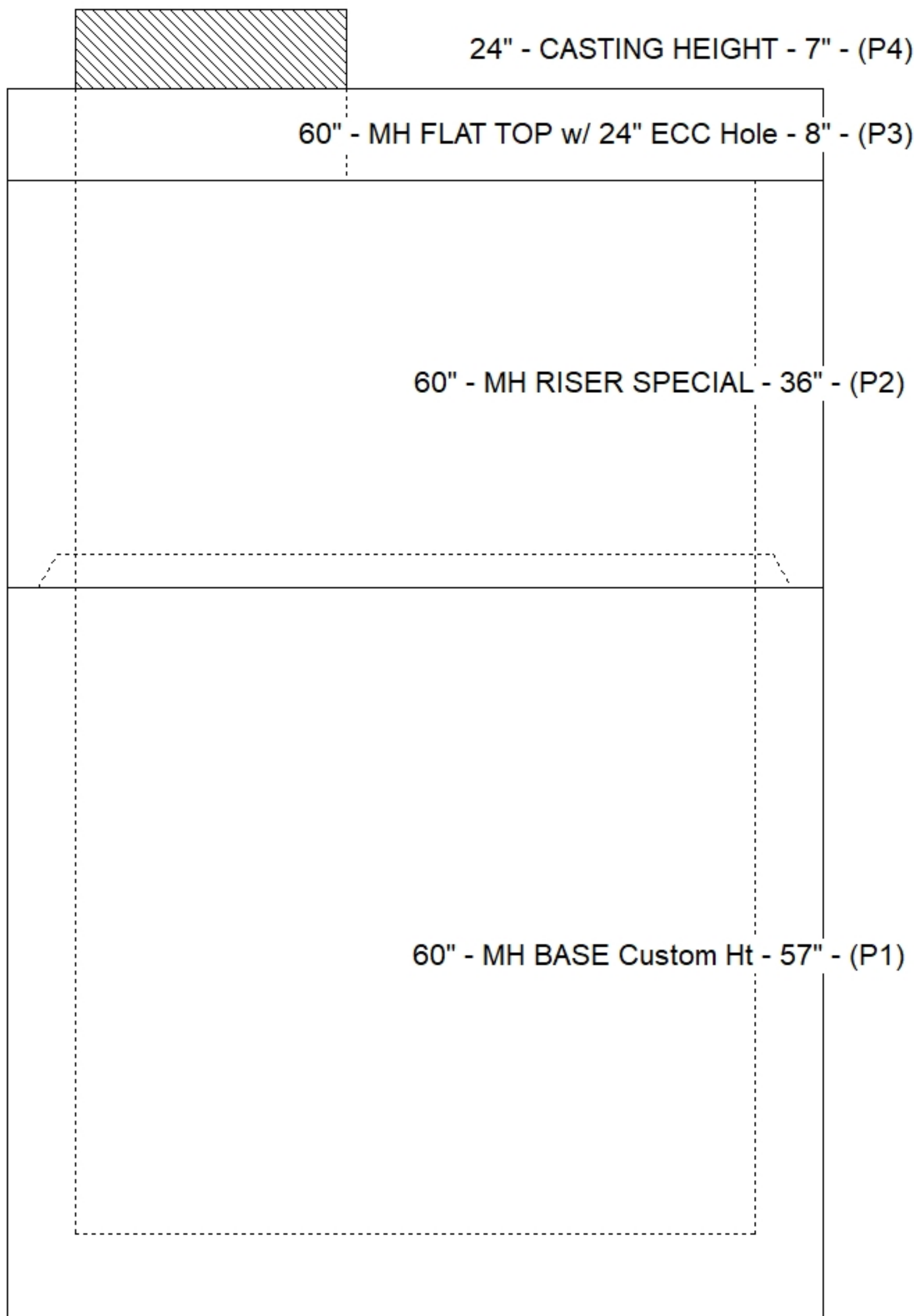
1. PER ASTM C478 SPECIFICATIONS.
2. CONCRETE = 4,000 PSI AT 28 DAYS.
3. HOE MC-350 "STORM" BY ICAST
4. REINFORCING PER ASTM A615 (GRADE 60).
 - TOP SLAB (As .37) #5 BARS AT 10" C.C.E.W.
 - RISER/WALLS (As .18)
 - FLOOR (As .37) #5 BARS AT 10" C.C.E.W.

STRUCTURE SUMMARY:

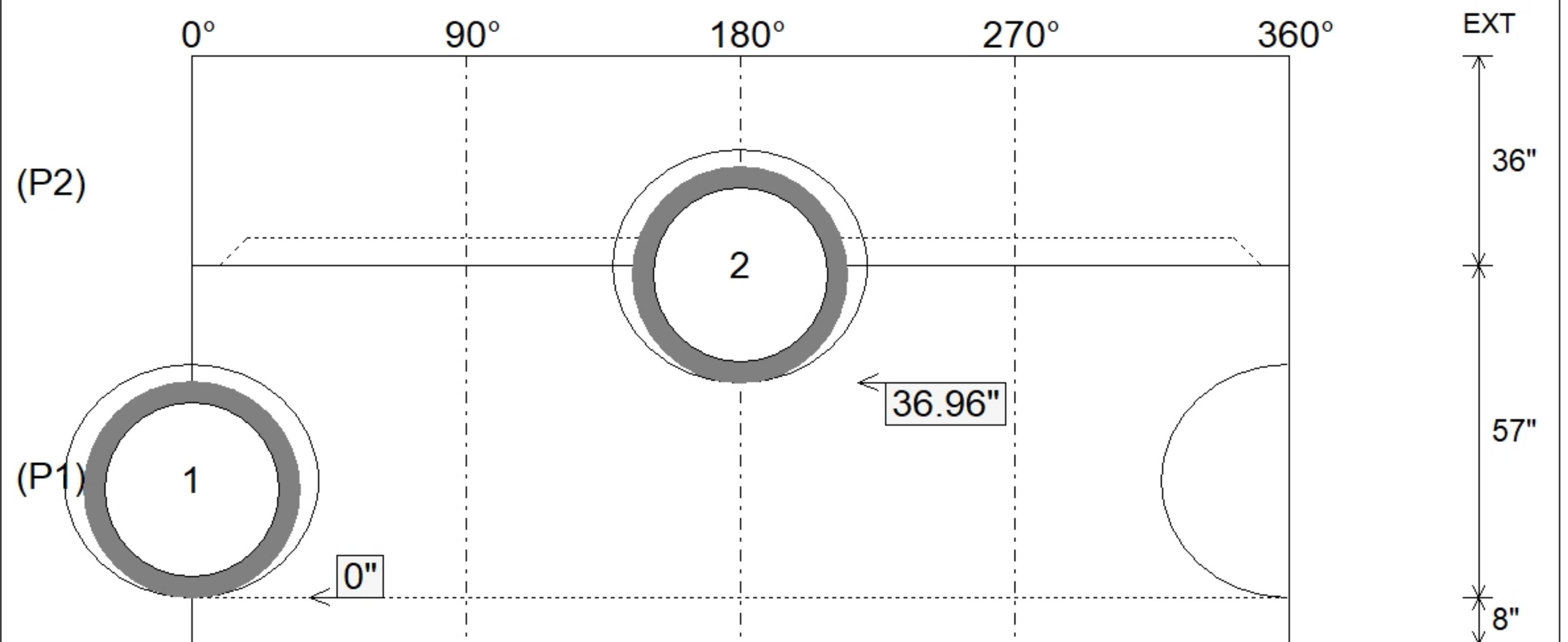
P4) 24" - CASTING HEIGHT - 7"	0 lb
P3) 60" - MH FLAT TOP w/ 24" ECC Hole - 8"	2429 lb
P2) 60" - MH RISER SPECIAL - 36"	3418 lb
P1) 60" - MH BASE Custom Ht - 57"	7660 lb
1) CASTING - HOE MC-350 F/C Storm	305 lb
2) 60" - SGL 1"x14.5' Butyl (2x)	0 lb
2) Hole - 40	0 lb
7) MH Step ML-10-TDS-NCR - 10"	0 lb
Structure Total:	13813 lb



Position	Elev	Angle	Pipe	Pipe OD	Hole	Connector	Up (")	Ref
Rim	947.25'							
Reducer								
Invert 1	938.51'	0°	30" RCP B WALL	37"	40"	Hole 40	0"	P1
Invert 2	941.59'	180°	30" RCP B WALL	37"	40"	Hole 40	36.96"	P1
Invert 3								
Invert 4								
Invert 5								
Invert 6								
Invert 7								
Invert 8								



Default - Interior Dimensions



Submittal Drawing
 10/28/2025 9:04:53 AM

SUBMITTAL
 APPROVED BY: