

Job Name: 25-3308 Lexmark Setzer
 Job Location: Lexington, Ky
 Contractor: Lagco Inc.

Plant: Beaver Dam

Tech: C.Russ

10/24/2025 1:09:43 PM

PC: C.Goff



Structure ID: AA1A

P1 MH060BAVF

MH BASE Custom Ht T/n

- P4) 24" - CASTING HEIGHT - 7"
- P3) 60" - MH FLAT TOP w/ 24" ECC Hole F/F - 8"
- P2) 60" - MH RISER F/G - 36"
- P1) 60" - MH BASE Custom Ht T/n - 57"
- 1) CASTING - HOE MC-350 F/C Storm
- 2) 60" - SGL 1"x14.5' Butyl (2x)
- 2) Hole - 40
- 7) MH Step ML-10-TDS-NCR - 10"

Structure Notes:

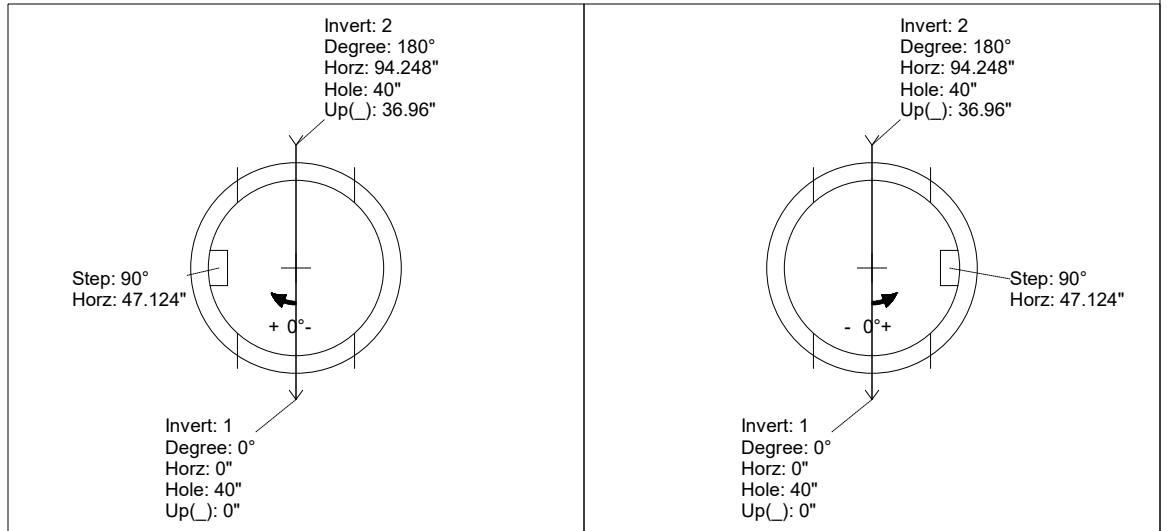
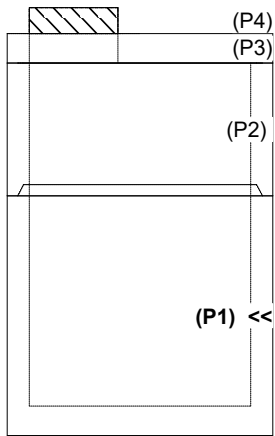
1. PER ASTM C478 SPECIFICATIONS.
2. CONCRETE = 4,000 PSI AT 28 DAYS.
3. HOE MC-350 "STORM" BY ICAST
4. REINFORCING PER ASTM A615 (GRADE 60).
 - TOP SLAB (As .37) #5 BARS AT 10" C.C.E.W.
 - RISER/WALLS (As .18)
 - FLOOR (As .37) #5 BARS AT 10" C.C.E.W.

Rim: 947.25' Rim to Invert: 8.74' Slack: 0.38" Sump: 3.5" Step Position: 90°

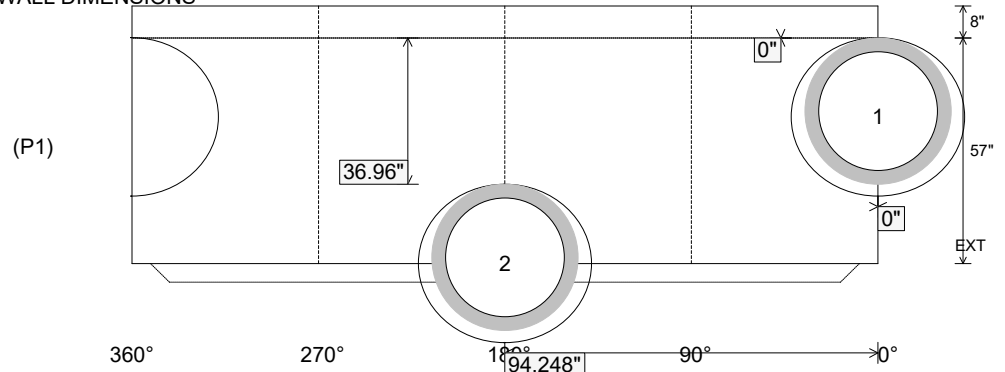
Position	Elev	Angle	Ext. (cw)	Pipe	Pipe OD	Connector	Hole	Horz Size	Up ()	Offset
Invert 1	938.51'	0°	0"	30" RCP B WALL	37"	Hole 40	40"	43.784"	0"	0"
Invert 2	941.59'	180°	113.097"	30" RCP B WALL	37"	Hole 40	40"	43.784"	36.96"	0"
Invert 3										
Invert 4										
Invert 5										
Invert 6										
Invert 7										
Invert 8										

RIGHT-SIDE UP VIEW (int. dimensions)

UPSIDE-DOWN VIEW (int. dimensions)



INSIDE WALL DIMENSIONS



Coating (Int):
 Coating (Ext):

Seam Up: Tongue
 Seam Dn: n/a

Wall Thickness: 6"
 Floor Height: 8"

Height (Int): 57"
 Height (Ext): 65"

Weight (Net): 7660 lb
 Volume (Net): 1.96cu.yd