

Job Name: 25-3304 - Vuteq Warehouse Expansion
 Job Location: Georgetown, KY
 Contractor: Brown General Contractors

Plant: 100

3/19/2026 11:42:55 AM

Tech: Jared - A

PC: Erica Bradley



Structure ID: ST-8

P2 MH060TS15-48ECC

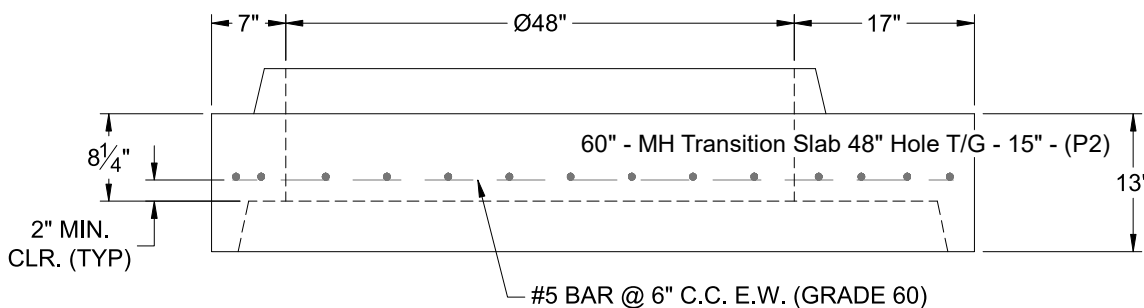
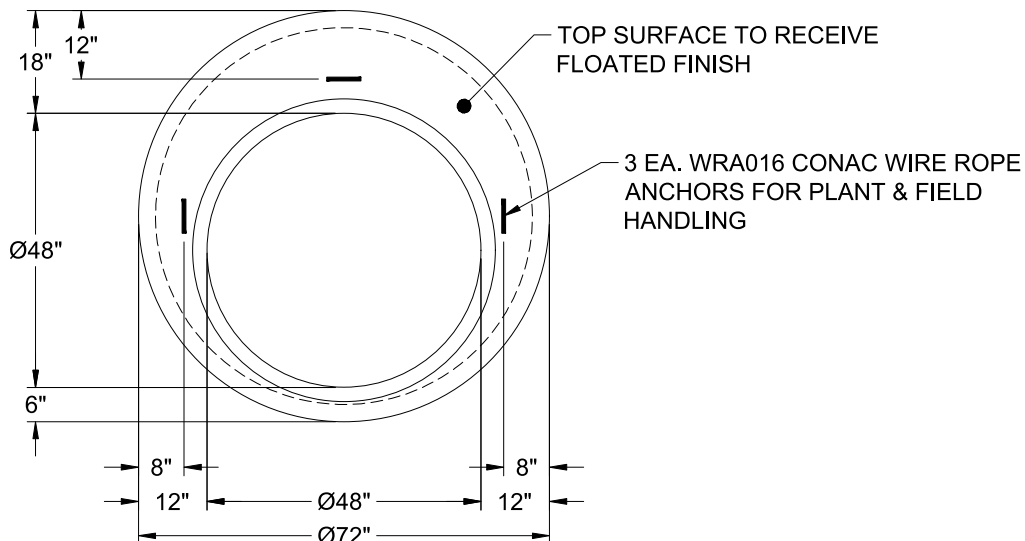
MH Transition Slab 48" Hole T/G

- P5) 24" - CASTING HEIGHT - 7"
- P4) 48" - ECC CONE w/ 24" HOLE F/G - 36"
- P3) 48" - MH RISER SPECIAL T/G - 54"
- P2) 60" - MH Transition Slab 48" Hole T/G - 15"
- P1) 60" - MH BASE T/n - 66"
- 1) CASTING - HOE MC-315 F/C Storm
- 1) 60" - Conseal CS-102 1.00"
- 2) 48" - Conseal CS-102 1.00"
- 1) Hole - 40
- 1) Hole - 24
- 1) Hole - 34
- 13) MH Step ML-10-TDS-NCR - 10"

- 0 lb
- 3000 lb
- 3575 lb
- 2204 lb
- 8460 lb
- 258 lb
- 0 lb
- 0 lb
- 0 lb
- 0 lb
- 0 lb
- 0 lb
- 0 lb
-
- 0 lb

Structure Total: 17498 lb

- Structure Notes:
1. PER ASTM C-478 SPECIFICATIONS
 2. CONCRETE: 4,000 PSI AT 28 DAYS
 3. REINFORCEMENT: #5 BAR @ 6" C.C. E.W. (GRADE 60) - 2" MIN. REBAR CLEARANCE (TYP)
 4. HOE MC-315 FRAME & COVER "STORM" SUPPLIED BY ICAST
 5. LIFTERS: 3 EA. WRA016 CONAC WIRE ROPE ANCHORS FOR PLANT & FIELD HANDLING
 6. TOP SURFACE TO RECEIVE FLOATED FINISH



Coating (Int):
 Coating (Ext):

Seam Up: Tongue
 Seam Dn: Groove

Wall Thickness: 6"

Height (Ext): 15"

Weight (Net): 2204 lb
 Volume (Net): 0.56cu.yd