

Job Name: 25-3304 - Vuteq Warehouse Expansion
 Job Location: Georgetown, KY
 Contractor: Brown General Contractors

Plant: 100
 3/19/2026 11:42:59 AM

Tech: Jared - A
 PC: Erica Bradley



Structure ID: ST-7

P4 MH048CN42

ECC CONE w/ 24" HOLE F/G

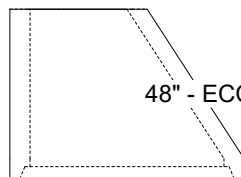
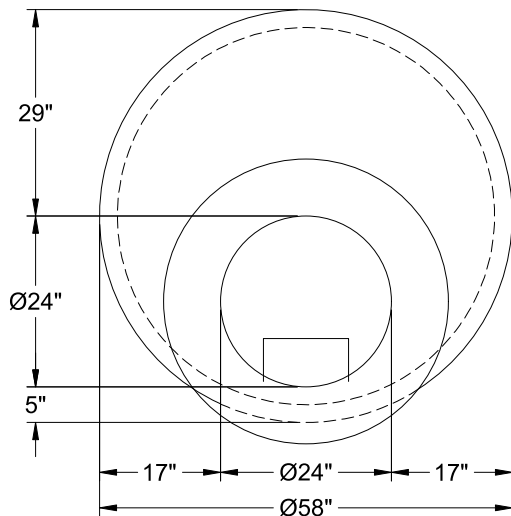
- P5) 24" - CASTING HEIGHT - 7"
- P4) 48" - ECC CONE w/ 24" HOLE F/G - 42"
- P3) 48" - MH RISER T/G - 66"
- P2) 60" - MH Transition Slab 48" Hole T/G - 15"
- P1) 60" - MH BASE T/n - 72"
- 1) CASTING - HOE MC-315 F/C Storm
- 1) 60" - Conseal CS-102 1.00"
- 2) 48" - Conseal CS-102 1.00"
- 2) Hole - 40
- 16) MH Step ML-10-TDS-NCR - 10"

0 lb
 3200 lb
 4611 lb
 2204 lb
 8886 lb
 258 lb
 0 lb
 0 lb
 0 lb
 0 lb

 19159 lb

Structure Total:

- Structure Notes:
1. PER ASTM C-478 SPECIFICATIONS
 2. CONCRETE: 4,000 PSI AT 28 DAYS
 3. REINFORCEMENT: PER ASTM A615
 4. STEPS REQUIRED
 5. HOE MC-315 FRAME & COVER "STORM" SUPPLIED BY ICAST



48" - ECC CONE w/ 24" HOLE F/G - 42" - (P4)

Coating (Int):
 Coating (Ext):

Seam Up: Flat
 Seam Dn: Groove

Wall Thickness: 5"

Height (Ext): 42"

Weight (Net): 3200 lb
 Volume (Net): 0.5cu.yd