

Job Name: 25-3304 - Vuteq Warehouse Expansion  
 Job Location: Georgetown, KY  
 Contractor: Brown General Contractors

Plant: 100

3/19/2026 11:40:32 AM

Tech: Jared - A

PC: Erica Bradley



**Structure ID: ST-7**

**P1 MH060BA72**

**MH BASE T/n**

- P5) 24" - CASTING HEIGHT - 7"
- P4) 48" - ECC CONE w/ 24" HOLE F/G - 42"
- P3) 48" - MH RISER T/G - 66"
- P2) 60" - MH Transition Slab 48" Hole T/G - 15"
- P1) 60" - MH BASE T/n - 72"
- 1) CASTING - HOE MC-315 F/C Storm
- 1) 60" - Conseal CS-102 1.00"
- 2) 48" - Conseal CS-102 1.00"
- 2) Hole - 40"
- 16) MH Step ML-10-TDS-NCR - 10"

0 lb  
 3200 lb  
 4611 lb  
 2204 lb  
 8886 lb  
 258 lb  
 0 lb  
 0 lb  
 0 lb  
 0 lb  
 0 lb  
 Structure Total: 19159 lb

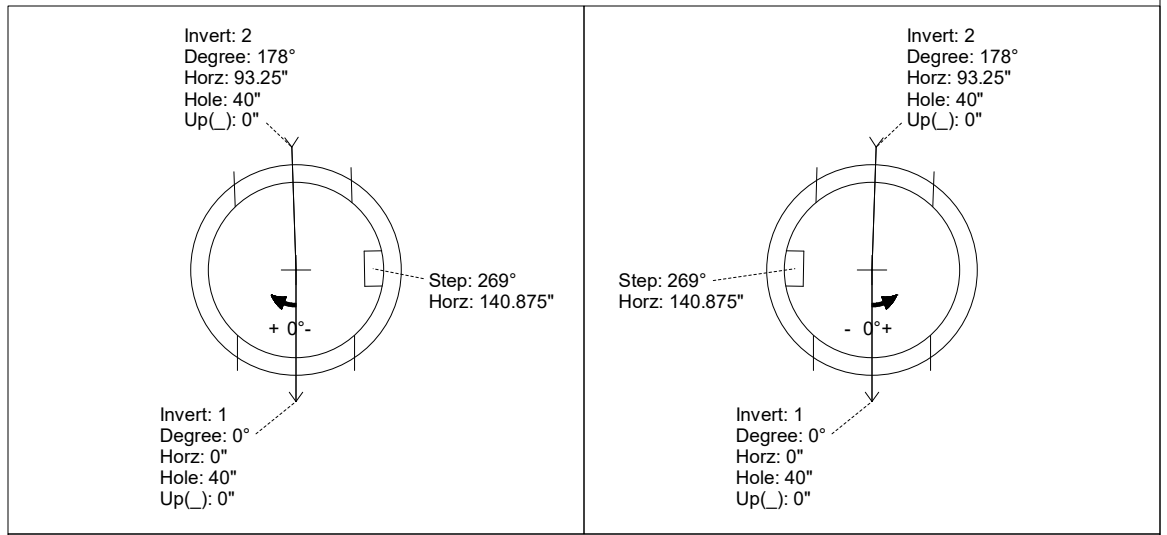
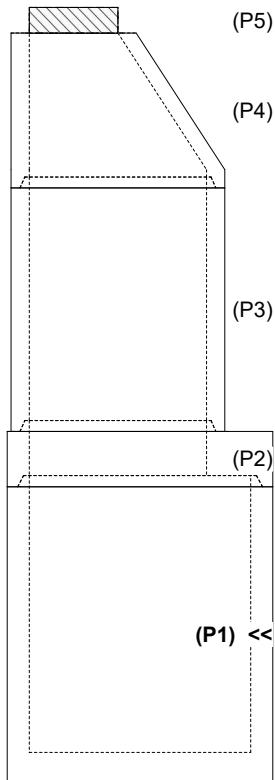
- Structure Notes:**
1. PER ASTM C-478 SPECIFICATIONS
  2. CONCRETE: 4,000 PSI AT 28 DAYS
  3. REINFORCEMENT: PER ASTM A615
  4. NO STORM INVERT
  5. STEPS AT 269 DEGREES
  6. HOE MC-315 FRAME & COVER "STORM" SUPPLIED BY ICAST

Rim: 923.05' Rim to Invert: 16.79' Slack: 2.98" Sump: 3.5" Step Position: 269°

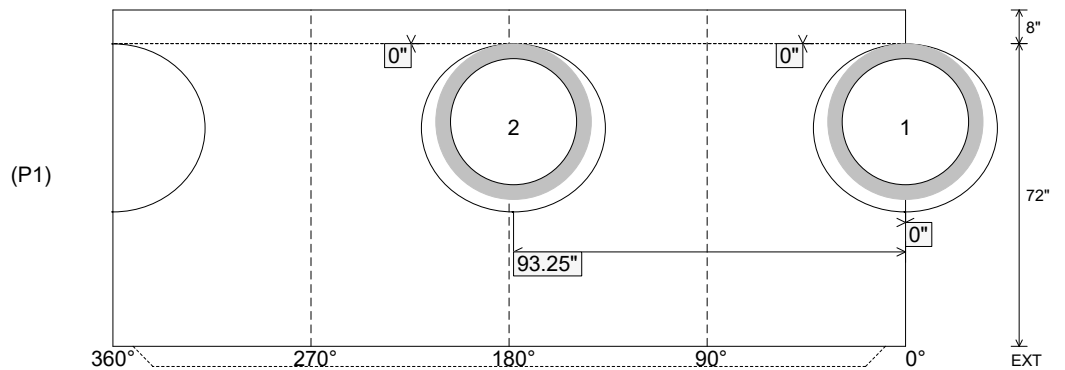
Position	Elev	Angle	Ext. (cw)	Pipe	Pipe OD	Connector	Hole	Horz Size	Up ( )	Offset
Invert 1	906.26'	0°	0"	30" RCP B WALL	37"	Hole 40	40"	43.784"	0"	0"
Invert 2	906.26'	178°	111.875"	30" RCP B WALL	37"	Hole 40	40"	43.784"	0"	0"
Invert 3										
Invert 4										
Invert 5										
Invert 6										
Invert 7										
Invert 8										

RIGHT-SIDE UP VIEW (int. dimensions)

UPSIDE-DOWN VIEW (int. dimensions)



INSIDE WALL DIMENSIONS



Coating (Int):  
 Coating (Ext):

Seam Up: Tongue  
 Seam Dn: n/a

Wall Thickness: 6"  
 Floor Height: 8"

Height (Int): 72"  
 Height (Ext): 80"

Weight (Net): 8886 lb  
 Volume (Net): 2.27cu.yd