

Job Name: 25-3304 - Vuteq Warehouse Expansion  
 Job Location: Georgetown, KY  
 Contractor: Brown General Contractors

Plant: 100

3/19/2026 11:43:05 AM

Tech: Jared - A

PC: Erica Bradley



**Structure ID: ST-25**

**P3 GR3**

**GRADE RING F/F**

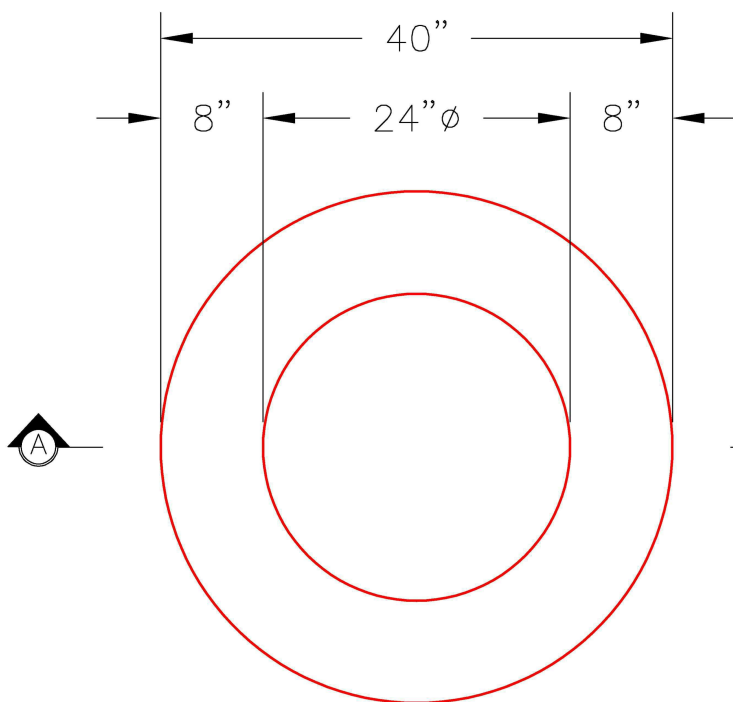
- P4) 24" - CASTING HEIGHT - 7"
- P3) 24" - GRADE RING F/F - 3"
- P2) 48" - MH FLAT TOP w/ 24" ECC Hole F/G - 12"
- P1) 48" - MH BASE T/n - 42"
- 1) CASTING - HOE MC-315 F/C Storm
- 1) 48" - Conseal CS-102 1.00"
- 2) Hole - 30
- 3) MH Step ML-10-TDS-NCR - 10"

0 lb  
 202 lb  
 1561 lb  
 3632 lb  
 258 lb  
 0 lb  
 0 lb  
 0 lb

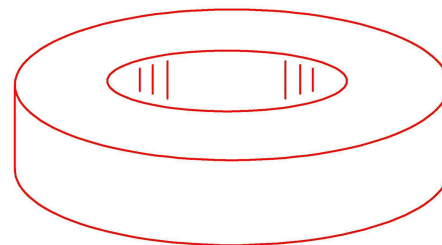
Structure Total: 5654 lb

Structure Notes:

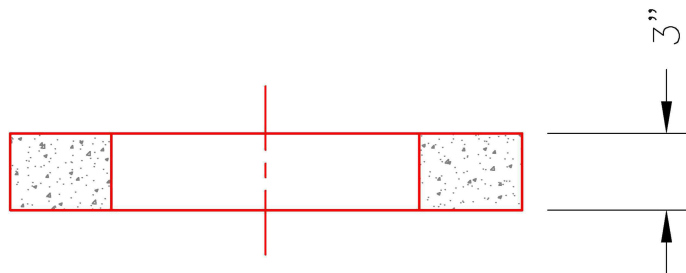
1. PER ASTM C-478 SPECIFICATIONS
2. CONCRETE: 4,000 PSI AT 28 DAYS
3. REINFORCEMENT: (1) #3 HOOP CENTERED (GRADE 60)



**PLAN VIEW**



**ISOMETRIC VIEW**



**SECTION A-A**

Coating (Int):  
 Coating (Ext):

Seam Up: Flat  
 Seam Dn: Flat

Wall Thickness: 8"

Height (Ext): 3"

Weight (Net): 202 lb  
 Volume (Net): 0.05cu.yd