

Job Name: 25-3304 - Vuteq Warehouse Expansion
Job Location: Georgetown, KY
Contractor: Brown General Contractors

PC: Erica Bradley
 TECH: Jared - A
 Plant: 100



Structure ID: **ST-22**

Spec: Storm
 Type: STM.MH (Recessed pipe)
 Size: 48"

Rim: 924.34'
 Invert: 920.2'
 Rim to Invert: 4.14'

Sump: 0"
 Floor (Top): 920.2'
 Floor Height: 6"

Floor (Bot): 919.7'
 Overall Height: 4.583'
 Slack: 0.68"

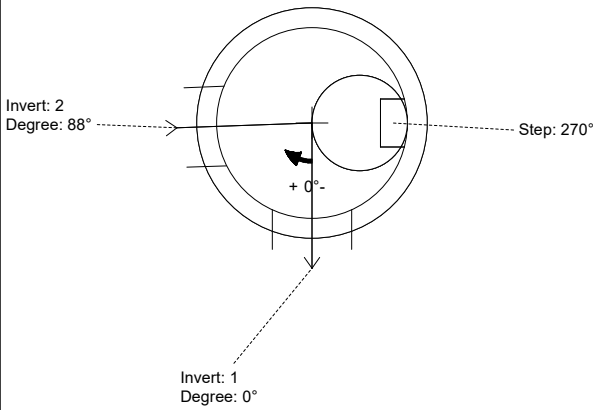
Structure Notes:

1. PER ASTM C-478 SPECIFICATIONS
2. CONCRETE: 4,000 PSI AT 28 DAYS
3. REINFORCEMENT:
 - FLAT LID: #4 BAR @ 10" C.C. E.W. (GRADE 60)
 - BASE: PER ASTM A615
4. NO STORM INVERT
5. STEPS AT 270 DEGREES
6. HOE MCB-315-B FRAME & BAR GRATE SUPPLIED BY ICAST

STRUCTURE SUMMARY:

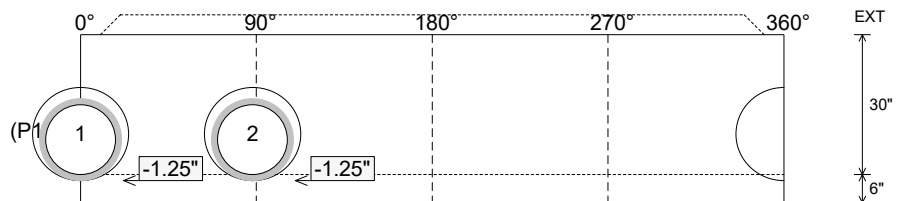
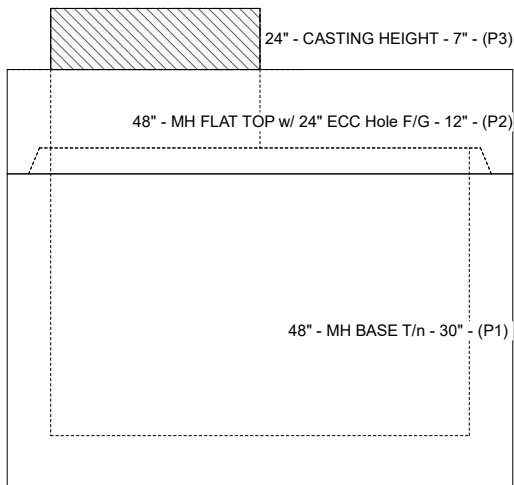
P3) 24" - CASTING HEIGHT - 7"	0 lb
P2) 48" - MH FLAT TOP w/ 24" ECC Hole F/G - 12"	1561 lb
P1) 48" - MH BASE T/n - 30"	3155 lb
1) CASTING - HOE MCB-315-B Fr./Bar Grate	255 lb
1) 48" - Conseal CS-102 1.00"	0 lb
2) Hole - 20	0 lb
3) MH Step ML-10-TDS-NCR - 10"	0 lb

Structure Total:	4971 lb



Position	Elev	Angle	Pipe	Pipe OD	Hole	Connector	Up (")	Ref
Rim	924.34'							
Reducer								
Invert 1	920.2'	0°	15" HDPE	17.6"	20"	Hole 20	-1.25"	P1
Invert 2	920.2'	88°	15" HDPE	17.6"	20"	Hole 20	-1.25"	P1
Invert 3								
Invert 4								
Invert 5								
Invert 6								
Invert 7								
Invert 8								

Cast (Int. Dim.) - Interior Dimensions



Submittal Drawing
 3/19/2026 10:46:31 AM

SUBMITTAL
 APPROVED BY: