

Job Name: 25-3304 - Vuteq Warehouse Expansion
Job Location: Georgetown, KY
Contractor: Brown General Contractors

PC: Erica Bradley
 TECH: Jared - A
 Plant: 100



Structure ID: **ST-2**
 Spec: Storm
 Type: STM.MH
 Size: 48"

Rim: 899.18'
 Invert: 891.81'
 Rim to Invert: 7.37'

Sump: 2.5"
 Floor (Top): 891.602'
 Floor Height: 6"

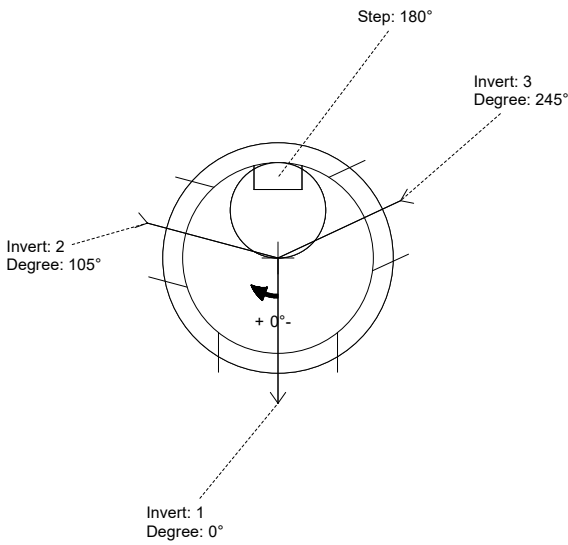
Floor (Bot): 891.102'
 Overall Height: 8'
 Slack: 0.94"

- Structure Notes:**
1. PER ASTM C-478 SPECIFICATIONS
 2. CONCRETE: 4,000 PSI AT 28 DAYS
 3. REINFORCEMENT: PER ASTM A615
 4. NO STORM INVERT
 5. STEPS AT 180 DEGREES
 6. HOE MC-315 FRAME & COVER "STORM" SUPPLIED BY ICAST

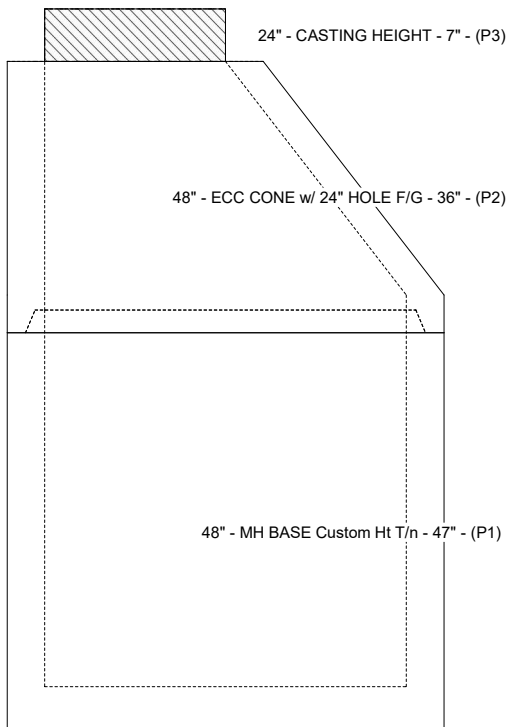
STRUCTURE SUMMARY:

P3) 24" - CASTING HEIGHT - 7" 0 lb
 P2) 48" - ECC CONE w/ 24" HOLE F/G - 36" 3000 lb
 P1) 48" - MH BASE Custom Ht T/n - 47" 3831 lb
 1) CASTING - HOE MC-315 F/C Storm 258 lb
 1) 48" - Conseal CS-102 1.00" 0 lb
 1) Hole - 30 0 lb
 2) Hole - 26 0 lb
 7) MH Step ML-10-TDS-NCR - 10" 0 lb

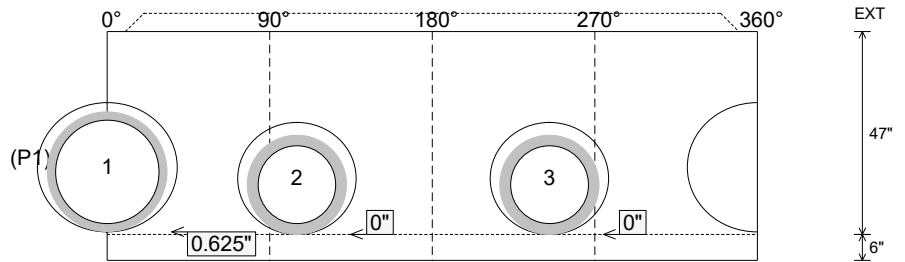
Structure Total: 7089 lb



Position	Elev	Angle	Pipe	Pipe OD	Hole	Connector	Up ()	Ref
Rim	899.18'							
Reducer								
Invert 1	891.81'	0°	24" HDPE	27.8"	30"	Hole 30	0.625"	P1
Invert 2	891.81'	105°	18" RCP B WALL	23"	26"	Hole 26	0"	P1
Invert 3	891.81'	245°	18" RCP B WALL	23"	26"	Hole 26	0"	P1
Invert 4								
Invert 5								
Invert 6								
Invert 7								
Invert 8								



Cast (Int. Dim.) - Interior Dimensions



Submittal Drawing
 3/19/2026 10:46:24 AM

SUBMITTAL
 APPROVED BY: