

Job Name: 25-3304 - Vuteq Warehouse Expansion
 Job Location: Georgetown, KY
 Contractor: Brown General Contractors

Plant: 100

3/19/2026 11:42:54 AM

Tech: Jared - A

PC: Erica Bradley



Structure ID: ST-2

P2 MH048CN36

ECC CONE w/ 24" HOLE F/G

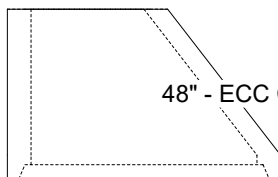
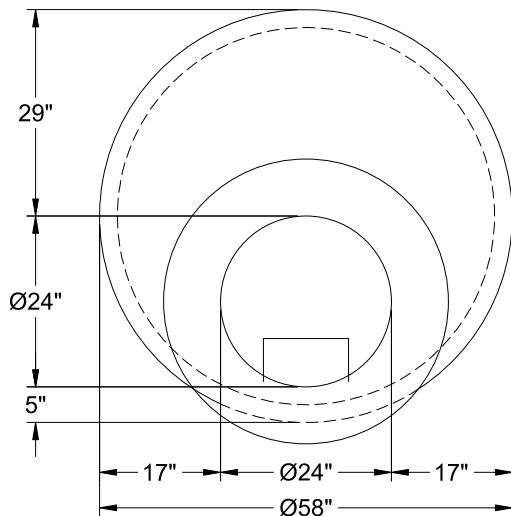
- P3) 24" - CASTING HEIGHT - 7"
- P2) 48" - ECC CONE w/ 24" HOLE F/G - 36"
- P1) 48" - MH BASE Custom Ht T/n - 47"
- 1) CASTING - HOE MC-315 F/C Storm
- 1) 48" - Conseal CS-102 1.00"
- 1) Hole - 30
- 2) Hole - 26
- 7) MH Step ML-10-TDS-NCR - 10"

0 lb
 3000 lb
 3831 lb
 258 lb
 0 lb
 0 lb
 0 lb
 0 lb

 7089 lb

Structure Total:

- Structure Notes:
1. PER ASTM C-478 SPECIFICATIONS
 2. CONCRETE: 4,000 PSI AT 28 DAYS
 3. REINFORCEMENT: PER ASTM A615
 4. STEPS REQUIRED
 5. HOE MC-315 FRAME & COVER "STORM" SUPPLIED BY ICAST



48" - ECC CONE w/ 24" HOLE F/G - 36" - (P2)

Coating (Int):
 Coating (Ext):

Seam Up: Flat
 Seam Dn: Groove

Wall Thickness: 5"

Height (Ext): 36"

Weight (Net): 3000 lb
 Volume (Net): 0.5cu.yd