

Job Name: 25-3304 - Vuteq Warehouse Expansion	Plant: 100	Tech: Jared - A	
Job Location: Georgetown, KY Contractor: Brown General Contractors	3/19/2026 11:40:42 AM	PC: Erica Bradley	

Structure ID: ST-17

P1 BX3636-08BA42

BOX BASE 8inW, 8inF F/n

P2) 36" x 36" - CASTING HEIGHT - 3"	0 lb
P1) 36" x 36" - BOX BASE 8inW, 8inF F/n - 42"	6567 lb
1) CASTING - HOE 595 F/G	376 lb
1) 36" x 36" - Conseal CS-102 1.00"	0 lb
1) Hole - 20	0 lb
Structure Total:	6943 lb

Structure Notes:

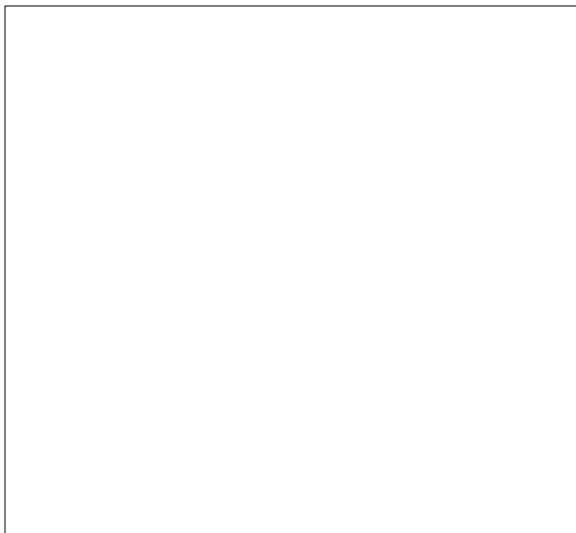
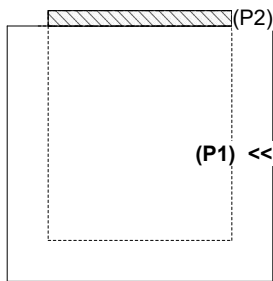
- PER ASTM C-913 SPECIFICATIONS
- CONCRETE: 4,000 PSI AT 28 DAYS
- REINFORCEMENT: #5 BAR @ 12" C.C. E.W. (GRADE 60) - 2" MIN. REBAR CLEARANCE (TYP)
- NO STORM INVERT
- NO STEPS
- HOE 595 FRAME & GRATES SUPPLIED BY ICAST

Rim: 918.57' Rim to Invert: 3.79' Slack: 0.48" Sump: 0" Step Position:

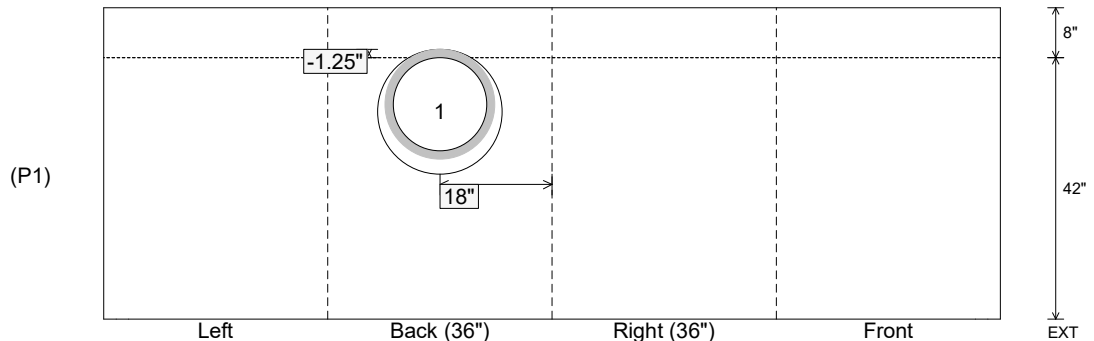
Position	Elev	Angle	Ext. (cw)	Pipe	Pipe OD	Connector	Hole	Horz Size	Up (↓)	Offset
Invert 1	914.78'	180°	26"	15" HDPE	17.6"	Hole 20	20"	20"	-1.25"	0"
Invert 2										
Invert 3										
Invert 4										
Invert 5										
Invert 6										
Invert 7										
Invert 8										

RIGHT-SIDE UP VIEW (int. dimensions)

UPSIDE-DOWN VIEW (int. dimensions)



INSIDE WALL DIMENSIONS



Coating (Int): Coating (Ext):	Seam Up: Flat Seam Dn: n/a	Wall Thickness: 8" Floor Height: 8"	Height (Int): 42" Height (Ext): 50"	Weight (Net): 6567 lb Volume (Net): 1.68cu.yd
----------------------------------	-------------------------------	--	--	--