

Job Name: 25-3304 - Vuteq Warehouse Expansion	Plant: 100	Tech: Jared - A	
Job Location: Georgetown, KY Contractor: Brown General Contractors	3/19/2026 11:40:40 AM	PC: Erica Bradley	

**Structure ID: ST-16**

**P1 BX2424-08BAVF**

**BOX BASE 8inW, 8inF, Variable Ht F/n**

- P2) 24" x 24" - CASTING HEIGHT - 5"
- P1) 24" x 24" - BOX BASE 8inW, 8inF, Variable Ht F/n - 55"
- 1) CASTING - HOE KY-465 SET (CBI TY F)
- 1) 24" x 24" - Conseal CS-102 1.00"
- 1) Hole - 24

0 lb  
 5572 lb  
 465 lb  
 0 lb  
 0 lb  
 -----  
 Structure Total: 6037 lb

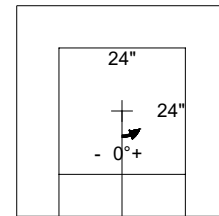
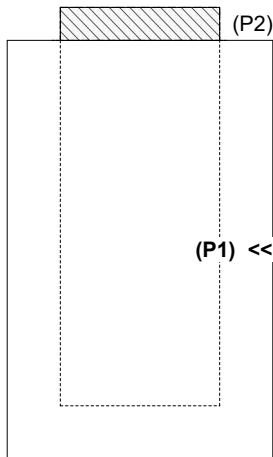
- Structure Notes:
1. PER ASTM C-913 SPECIFICATIONS
  2. CONCRETE: 4,000 PSI AT 28 DAYS
  3. REINFORCEMENT: #5 BAR @ 12" C.C. E.W. (GRADE 60) - 2" MIN. REBAR CLEARANCE (TYP)
  4. NO STORM INVERT
  5. NO STEPS
  6. HOE KY-465 FRAME, GRATE, & CURB HOOD SUPPLIED BY ICAST

Rim: 921.89'    Rim to Invert: 5.05'    Slack: 0.6"    Sump: 0"    Step Position:

Position	Elev	Angle	Ext. (cw)	Pipe	Pipe OD	Connector	Hole	Horz Size	Up ( )	Offset
Invert 1	916.84'	0°	20"	18" HDPE	21.2"	Hole 24	24"	24"	-1.625"	0"
Invert 2										
Invert 3										
Invert 4										
Invert 5										
Invert 6										
Invert 7										
Invert 8										

RIGHT-SIDE UP VIEW (int. dimensions)

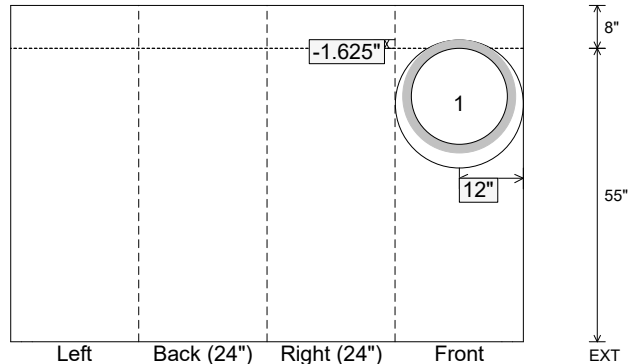
UPSIDE-DOWN VIEW (int. dimenions)



Invert: 1  
Degree: 0°  
Horz: 12"  
Hole: 24"  
Up( ): -1.625"

INSIDE WALL DIMENSIONS

(P1)



Coating (Int): Coating (Ext):	Seam Up: Flat Seam Dn: n/a	Wall Thickness: 8" Floor Height: 8"	Height (Int): 55" Height (Ext): 63"	Weight (Net): 5572 lb Volume (Net): 1.42cu.yd
----------------------------------	-------------------------------	--	--	--