

**Job Name: 25-3304 - Vuteq Warehouse Expansion**  
**Job Location: Georgetown, KY**  
**Contractor: Brown General Contractors**

PC: Erica Bradley  
 TECH: Jared - A  
 Plant: 100



Structure ID: **ST-15**

Spec: Storm  
 Type: STM.MH  
 Size: 48"

Rim: 921.62'  
 Invert: 915.66'  
 Rim to Invert: 5.96'

Sump: 1.9"  
 Floor (Top): 915.502'  
 Floor Height: 6"

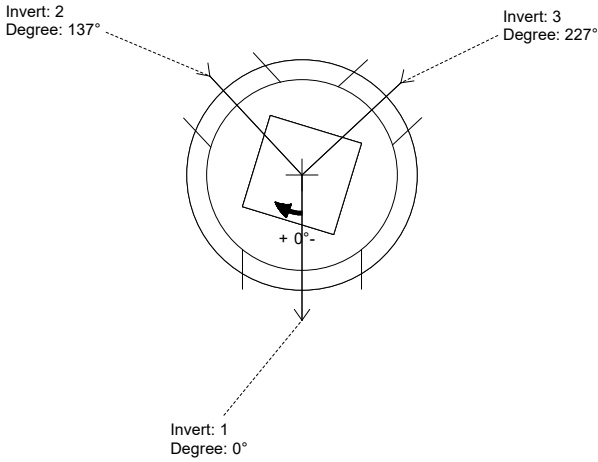
Floor (Bot): 915.002'  
 Overall Height: 6.417'  
 Slack: 2.42"

**Structure Notes:**

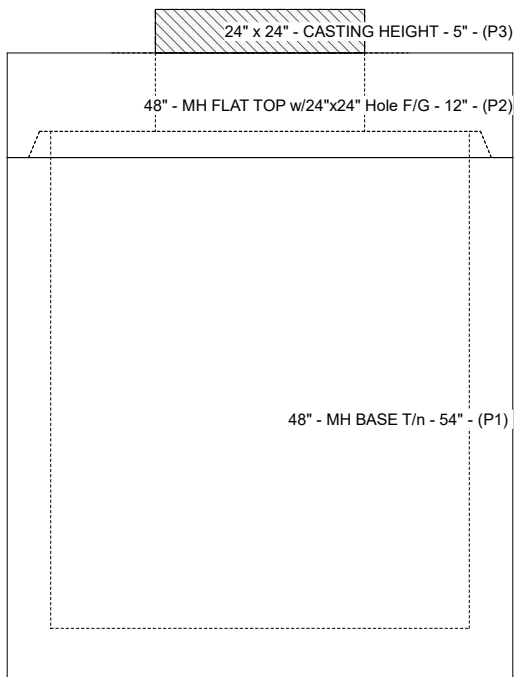
1. PER ASTM C-478 SPECIFICATIONS
2. CONCRETE: 4,000 PSI AT 28 DAYS
3. REINFORCEMENT:
  - FLAT LID: #4 BAR @ 10" C.C. E.W. (GRADE 60)
  - BASE: PER ASTM A615
4. NO STORM INVERT
5. NO STEPS
6. HOE KY-465 FRAME, GRATE, & CURB HOOD SUPPLIED BY ICAST

**STRUCTURE SUMMARY:**

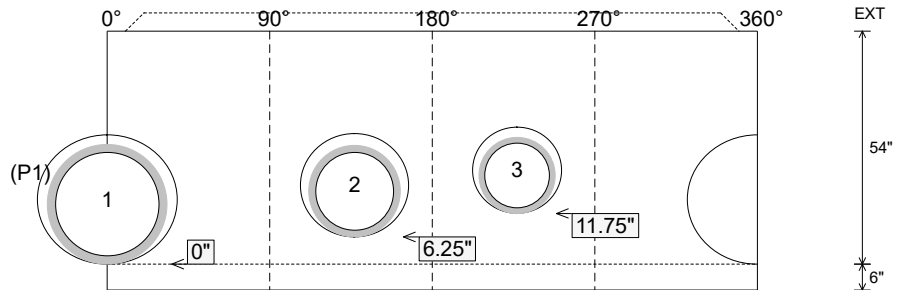
P3) 24" x 24" - CASTING HEIGHT - 5"	0 lb
P2) 48" - MH FLAT TOP w/24"x24" Hole F/G - 12"	1500 lb
P1) 48" - MH BASE T/n - 54"	4454 lb
1) CASTING - HOE KY-465 SET (CBI TY F)	465 lb
1) 48" - Conseal CS-102 1.00"	0 lb
1) 24" x 24" - Conseal CS-102 1.00"	0 lb
1) Hole - 30	0 lb
1) Hole - 24	0 lb
1) Hole - 20	0 lb
<b>Structure Total:</b>	<b>6419 lb</b>



Position	Elev	Angle	Pipe	Pipe OD	Hole	Connector	Up (")	Ref
Rim	921.62'							
Reducer								
Invert 1	915.66'	0°	24" HDPE	27.8"	30"	Hole 30	0"	P1
Invert 2	916.16'	137°	18" HDPE	21.2"	24"	Hole 24	6.25"	P1
Invert 3	916.59'	227°	15" HDPE	17.6"	20"	Hole 20	11.75"	P1
Invert 4								
Invert 5								
Invert 6								
Invert 7								
Invert 8								



**Cast (Int. Dim.) - Interior Dimensions**



Submittal Drawing  
 3/19/2026 10:46:30 AM

SUBMITTAL  
 APPROVED BY: