

Job Name: 25-3304 - Vuteq Warehouse Expansion
Job Location: Georgetown, KY
Contractor: Brown General Contractors

PC: Erica Bradley
 TECH: Jared - A
 Plant: 100



Structure ID: **ST-13**
 Spec: Storm
 Type: STM.MH
 Size: 48"

Rim: 917.42'
 Invert: 901.48'
 Rim to Invert: 15.94'

Sump: 3"
 Floor (Top): 901.23'
 Floor Height: 6"

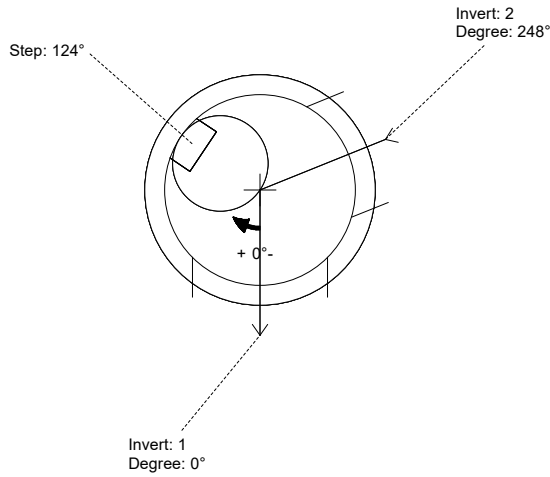
Floor (Bot): 900.73'
 Overall Height: 16.667'
 Slack: 0.28"

Structure Notes:

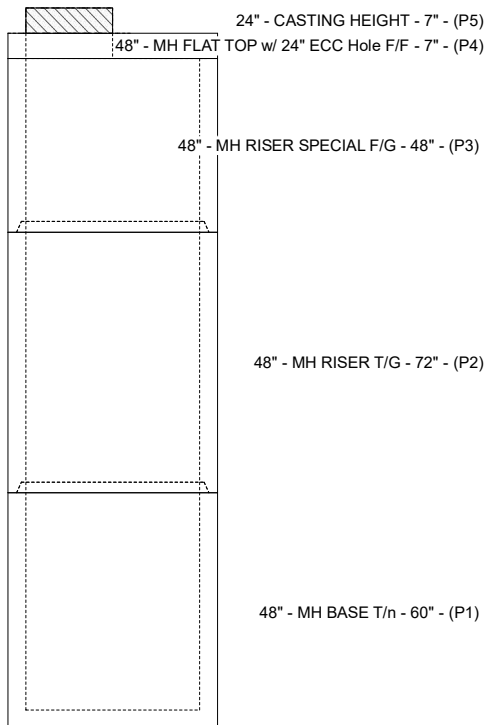
1. PER ASTM C-478 SPECIFICATIONS
2. CONCRETE: 4,000 PSI AT 28 DAYS
3. REINFORCEMENT:
 - FLAT LID: #4 BAR @ 10" C.C. E.W. (GRADE 60)
 - RISERS & BASE: PER ASTM A615
4. NO STORM INVERT
5. STEPS AT 124 DEGREES
6. HOE MC-315 FRAME & COVER "STORM" SUPPLIED BY ICAST

STRUCTURE SUMMARY:

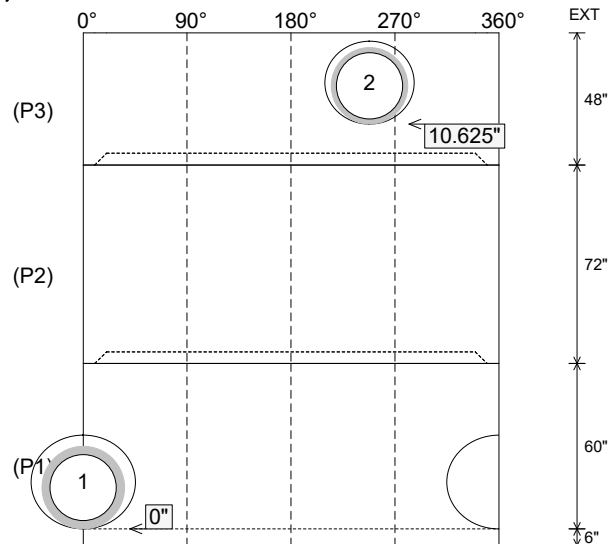
- P5) 24" - CASTING HEIGHT - 7" 0 lb
 - P4) 48" - MH FLAT TOP w/ 24" ECC Hole F/F - 7" 1286 lb
 - P3) 48" - MH RISER SPECIAL F/G - 48" 3037 lb
 - P2) 48" - MH RISER T/G - 72" 5030 lb
 - P1) 48" - MH BASE T/n - 60" 5107 lb
 - 1) CASTING - HOE MC-315 F/C Storm 258 lb
 - 3) 48" - Conseal CS-102 1.00" 0 lb
 - 1) Hole - 34 0 lb
 - 1) Hole - 30 0 lb
 - 15) MH Step ML-10-TDS-NCR - 10" 0 lb
- Structure Total: 14718 lb**



Position	Elev	Angle	Pipe	Pipe OD	Hole	Connector	Up (')	Ref
Rim	917.42'							
Reducer								
Invert 1	901.48'	0°	24" RCP B WALL	30"	34"	Hole 34	0"	P1
Invert 2	913.63'	248°	24" HDPE	27.8"	30"	Hole 30	10.625"	P3
Invert 3								
Invert 4								
Invert 5								
Invert 6								
Invert 7								
Invert 8								



Cast (Int. Dim.) - Interior Dimensions



Submittal Drawing
 3/19/2026 10:46:29 AM

SUBMITTAL
 APPROVED BY: