

Job Name: 25-3304 - Vuteq Warehouse Expansion  
 Job Location: Georgetown, KY  
 Contractor: Brown General Contractors

Plant: 100  
 3/19/2026 11:40:38 AM

Tech: Jared - A  
 PC: Erica Bradley



**Structure ID: ST-13**

**P1 MH048BA60**

**MH BASE T/n**

- P5) 24" - CASTING HEIGHT - 7"
- P4) 48" - MH FLAT TOP w/ 24" ECC Hole F/F - 7"
- P3) 48" - MH RISER SPECIAL F/G - 48"
- P2) 48" - MH RISER T/G - 72"
- P1) 48" - MH BASE T/n - 60"
- 1) CASTING - HOE MC-315 F/C Storm
- 3) 48" - Conseal CS-102 1.00"
- 1) Hole - 34
- 1) Hole - 30
- 15) MH Step ML-10-TDS-NCR - 10"

0 lb  
 1286 lb  
 3037 lb  
 5030 lb  
 5107 lb  
 258 lb  
 0 lb  
 0 lb  
 0 lb  
 0 lb  
 -----  
 Structure Total: 14718 lb

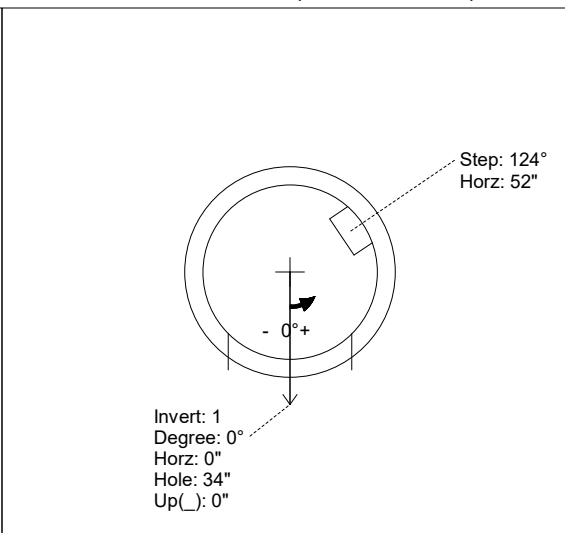
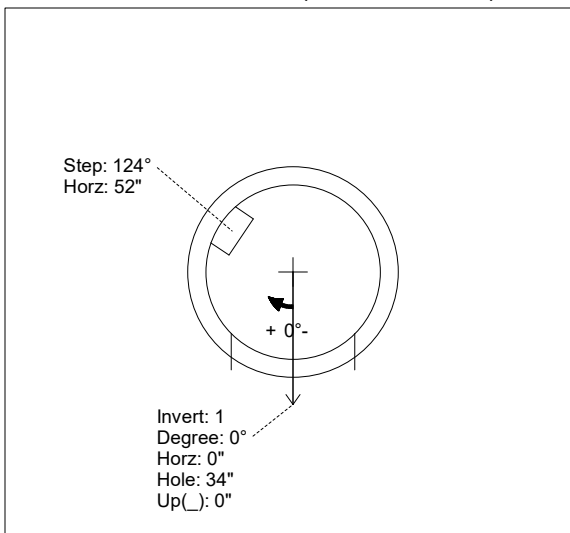
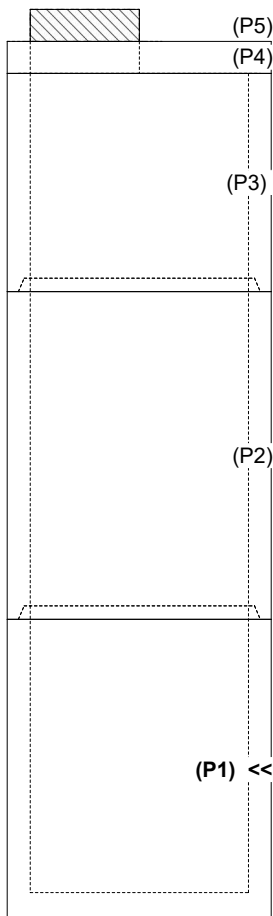
- Structure Notes:**
1. PER ASTM C-478 SPECIFICATIONS
  2. CONCRETE: 4,000 PSI AT 28 DAYS
  3. REINFORCEMENT: PER ASTM A615
  4. NO STORM INVERT
  5. STEPS AT 124 DEGREES
  6. HOE MC-315 FRAME & COVER "STORM" SUPPLIED BY ICAST

Rim: 917.42' Rim to Invert: 15.94' Slack: 0.28" Sump: 3" Step Position: 124°

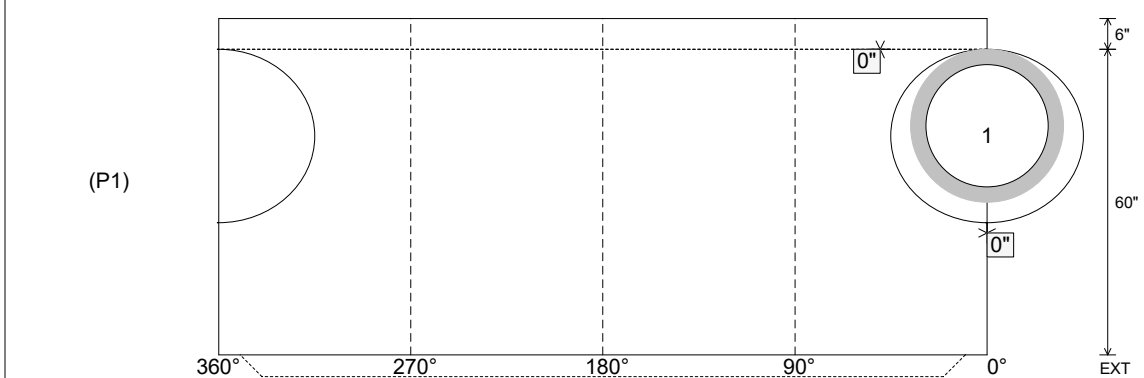
Position	Elev	Angle	Ext. (cw)	Pipe	Pipe OD	Connector	Hole	Horz Size	Up ( )	Offset
Invert 1	901.48'	0°	0"	24" RCP B WALL	30"	Hole 34	34"	37.782"	0"	0"
Invert 2										
Invert 3										
Invert 4										
Invert 5										
Invert 6										
Invert 7										
Invert 8										

RIGHT-SIDE UP VIEW (int. dimensions)

UPSIDE-DOWN VIEW (int. dimensions)



INSIDE WALL DIMENSIONS



Coating (Int):  
 Coating (Ext):

Seam Up: Tongue  
 Seam Dn: n/a

Wall Thickness: 5"  
 Floor Height: 6"

Height (Int): 60"  
 Height (Ext): 66"

Weight (Net): 5107 lb  
 Volume (Net): 1.3cu.yd