

Job Name: 25-3304 - Vuteq Warehouse Expansion
 Job Location: Georgetown, KY
 Contractor: Brown General Contractors

Plant: 100
 3/19/2026 11:43:00 AM

Tech: Jared - A
 PC: Erica Bradley



Structure ID: ST-10

P4 MH048CN24

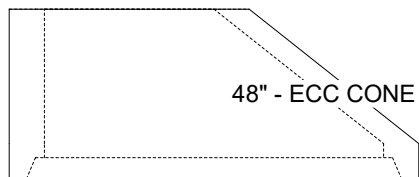
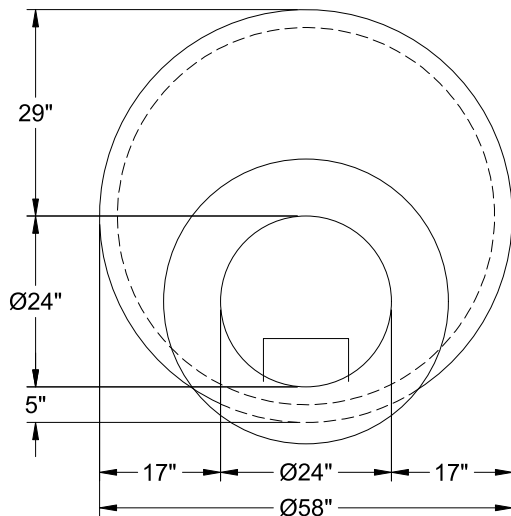
ECC CONE w/ 24" HOLE F/G

- P5) 24" - CASTING HEIGHT - 7"
- P4) 48" - ECC CONE w/ 24" HOLE F/G - 24"
- P3) 48" - MH RISER SPECIAL T/G - 48"
- P2) 48" - MH RISER T/G - 48"
- P1) 48" - MH BASE T/n - 42"
- 1) CASTING - HOE MCB-315-B Fr./Bar Grate
- 3) 48" - Conseal CS-102 1.00"
- 1) Hole - 32
- 1) Hole - 24
- 1) Hole - 26
- 13) MH Step ML-10-TDS-NCR - 10"

0 lb
 1550 lb
 3156 lb
 3353 lb
 3668 lb
 255 lb
 0 lb
 0 lb
 0 lb
 0 lb
 0 lb

 Structure Total: 11982 lb

- Structure Notes:
1. PER ASTM C-478 SPECIFICATIONS
 2. CONCRETE: 4,000 PSI AT 28 DAYS
 3. REINFORCEMENT: PER ASTM A615
 4. STEPS REQUIRED
 5. HOE MC-315 FRAME & COVER "STORM" SUPPLIED BY ICAST



48" - ECC CONE w/ 24" HOLE F/G - 24" - (P4)

Coating (Int):
 Coating (Ext):

Seam Up: Flat
 Seam Dn: Groove

Wall Thickness: 5"

Height (Ext): 24"

Weight (Net): 1550 lb
 Volume (Net): 0.33cu.yd