

Job Name: 25-3303 INDOT B44119-A ORX-Sect. 3 - Vanderburgh Co.
Job Location: Evansville, IN
Contractor: Blankenberger Brothers, Inc.

PC: A. Chambers
 TECH: J. Horsley
 Plant: 100



Structure ID: 106 (108+08)

Spec: INDOT
 Type: INDOT MH J
 Size: 60"

Rim: 376.5'
 Invert: 367.95'
 Rim to Invert: 8.55'

Sump: 3.504"
 Floor (Top): 367.658'
 Floor Height: 8"

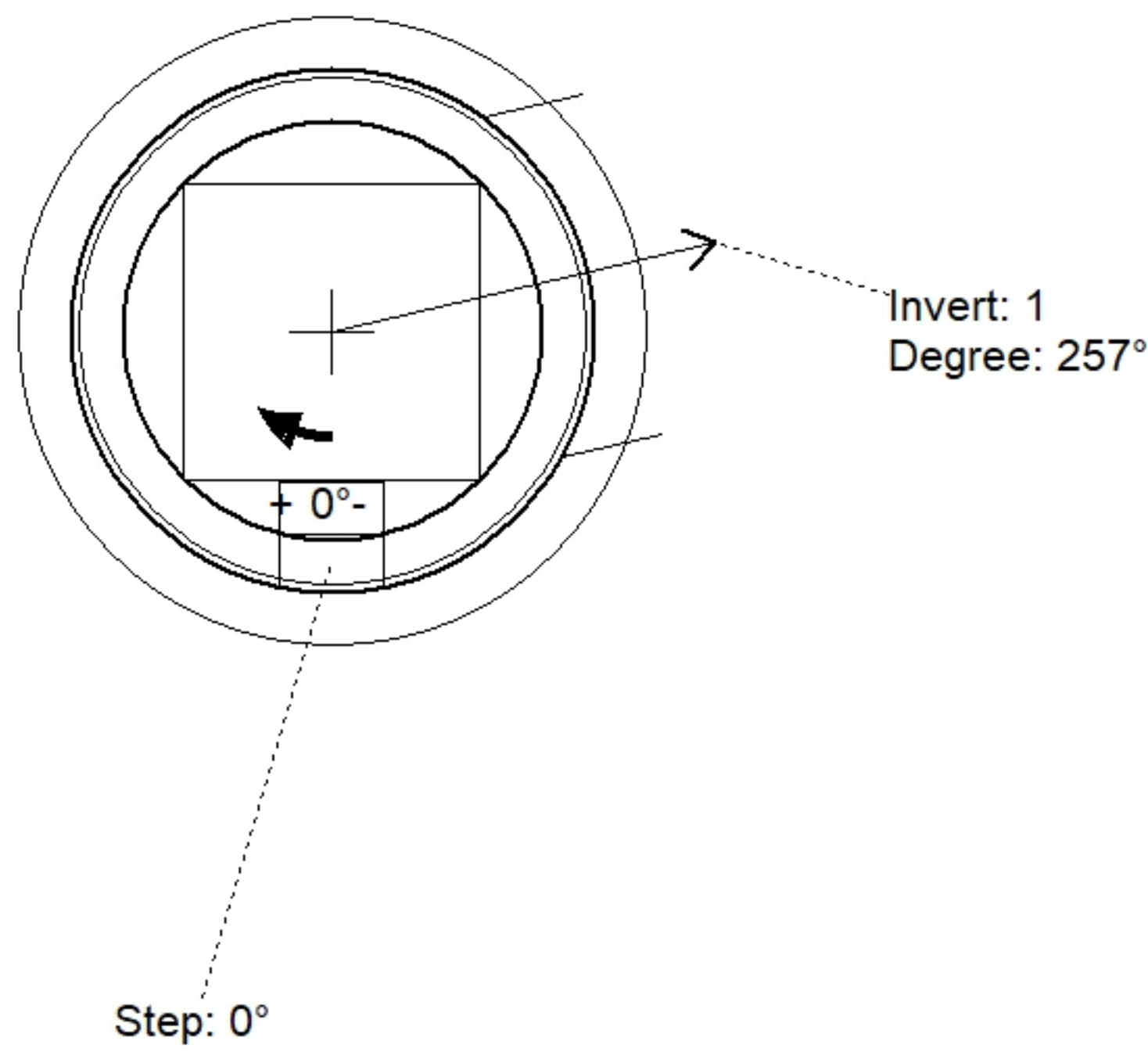
Floor (Bot): 366.991'
 Overall Height: 9.5'
 Slack: 0.104"

Structure Notes:

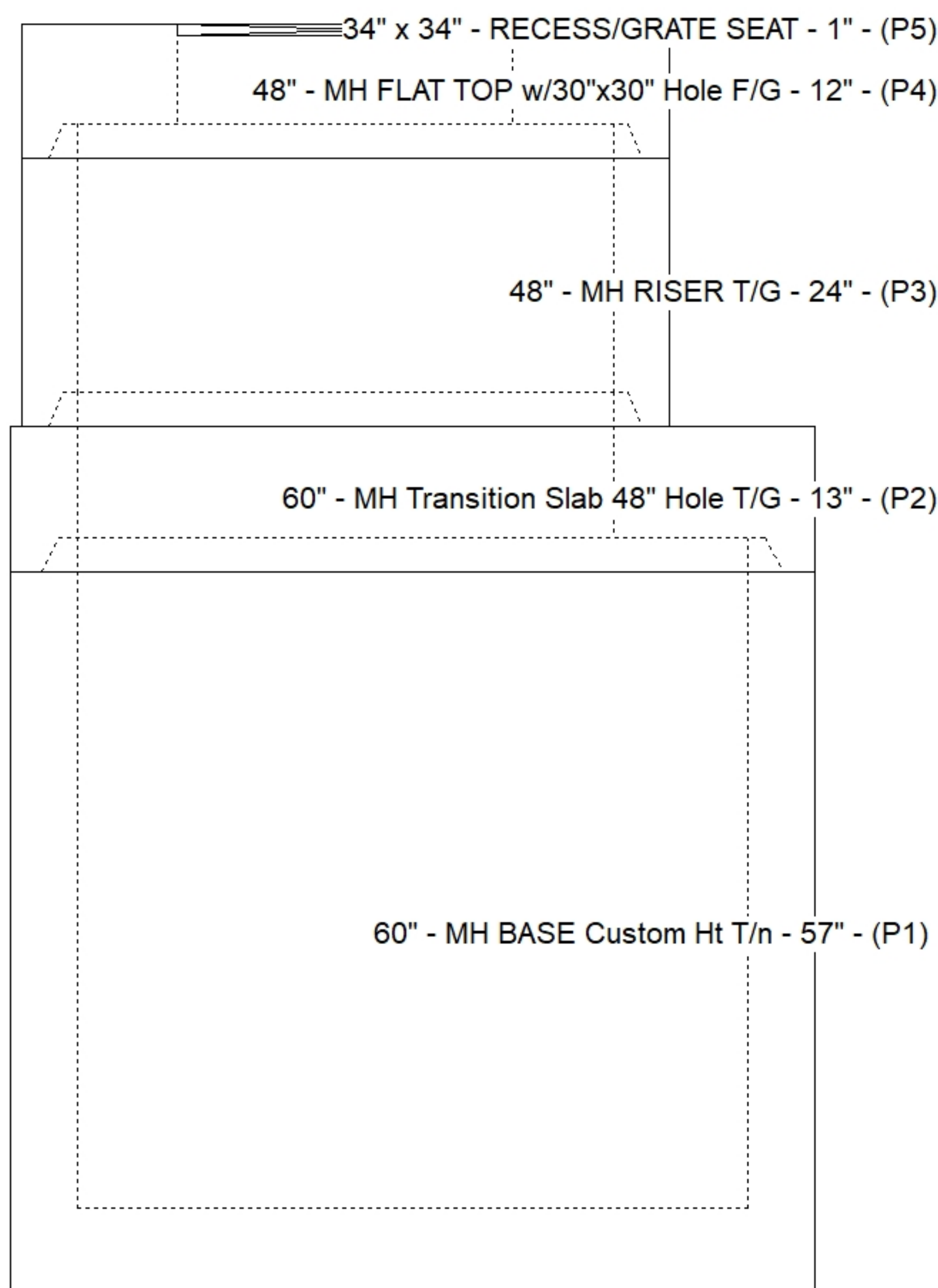
- **INDOT STATE PROJECT**
 1. INDOT MH TYPE C / ASTM C478 SPEC'S.
 2. CONCRETE = 4,000 PSI AT 28 DAYS.
 3. NO INVERT CHANNEL.
 4. CASTIN BY ICAST (INDOT TY.7 / EJ 6610 GRT).
 REINFORCING PER ASTM A615 (GRADE 60).
 - TOP SLAB = H20 LOADING
 - RISER/WALLS (As .18)
 - FLOOR (As .47) #5 BARS AT 8" C.C.E.W.

STRUCTURE SUMMARY:

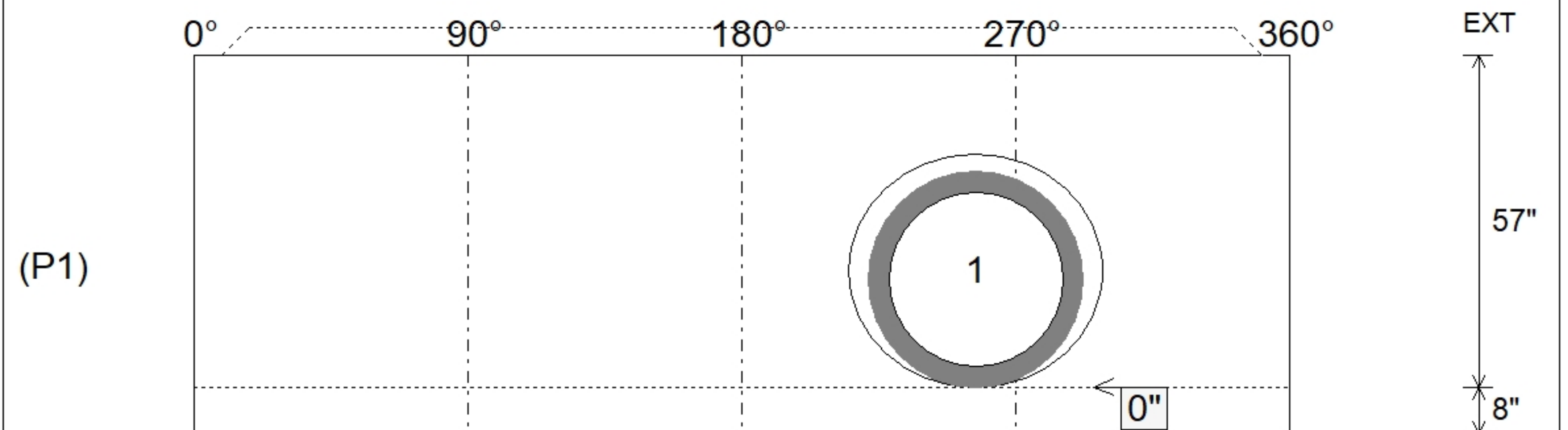
P5) 34" x 34" - RECESS/GRATE SEAT - 1"	0 lb
P4) 48" - MH FLAT TOP w/30"x30" Hole F/G - 12"	1350 lb
P3) 48" - MH RISER T/G - 24"	1677 lb
P2) 60" - MH Transition Slab 48" Hole T/G - 13"	1928 lb
P1) 60" - MH BASE Custom Ht T/n - 57"	8002 lb
1) CASTING - EJ 6610 GRT	250 lb
1) 60" - SGL 1"x14.5' Butyl (2x)	0 lb
2) 48" - SGL 1"x14.5' Butyl (2x)	0 lb
1) Hole - 40	0 lb
6) MH Step ML-10-TDS-NCR - 10"	0 lb
Structure Total:	13206 lb



Position	Elev	Angle	Pipe	Pipe OD	Hole	Connector	Up ()	Ref
Rim	376.5'							
Reducer	372.408'							
Invert 1	367.95'	257°	30" RCP B WALL	37"	40"	Hole 40	0"	P1
Invert 2								
Invert 3								
Invert 4								
Invert 5								
Invert 6								
Invert 7								
Invert 8								



Cast (Int. Dim.) - Interior Dimensions



Submittal Drawing
 10/21/2025 7:33:29 PM

SUBMITTAL
 APPROVED BY: