

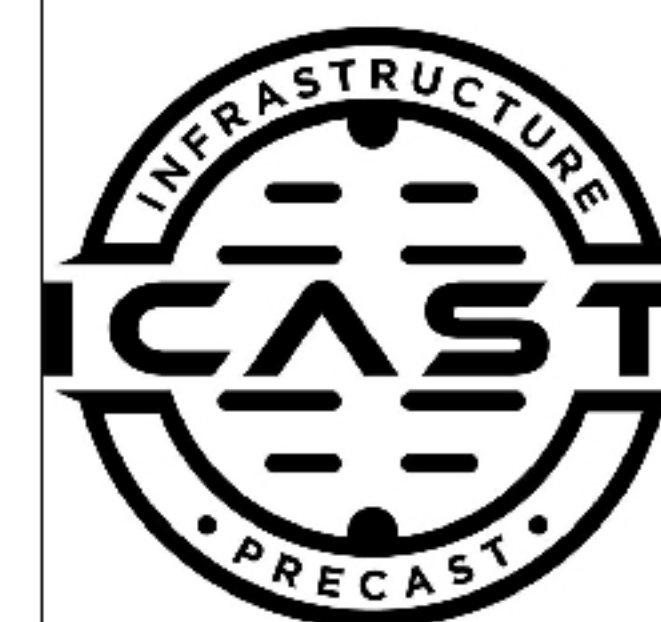
Job Name: 25-3303 INDOT B44119-A ORX-Sect. 3 - Vanderburgh Co.
 Job Location: Evansville, IN
 Contractor: Blankenberger Brothers, Inc.

Plant: 100

10/21/2025 7:34:43 PM

Tech: J. Horsley

PC: A. Chambers



Structure ID: 106 (108+08)

P2 MH060TS13-48ECC

MH Transition Slab 48" Hole T/G

- P5) 34" x 34" - RECESS/GRATE SEAT - 1"
- P4) 48" - MH FLAT TOP w/30"x30" Hole F/G - 12"
- P3) 48" - MH RISER T/G - 24"
- P2) 60" - MH Transition Slab 48" Hole T/G - 13"
- P1) 60" - MH BASE Custom Ht T/n - 57"
- 1) CASTING - EJ 6610 GRT
- 1) 60" - SGL 1"x14.5' Butyl (2x)
- 2) 48" - SGL 1"x14.5' Butyl (2x)
- 1) Hole - 40
- 6) MH Step ML-10-TDS-NCR - 10"

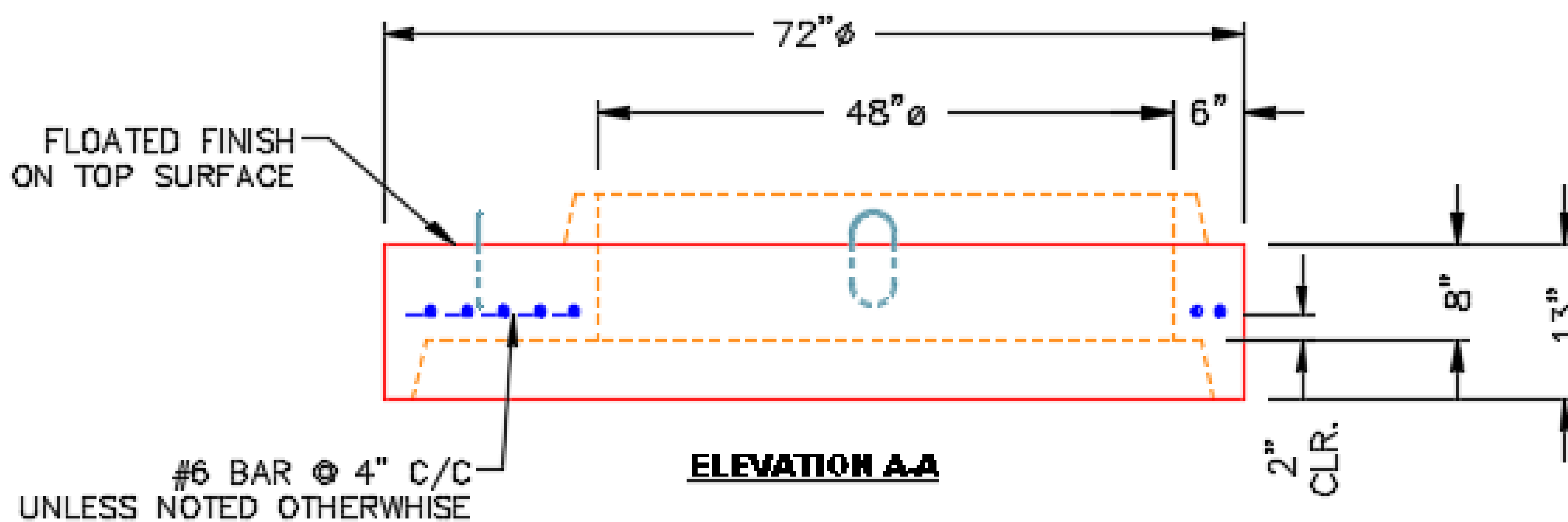
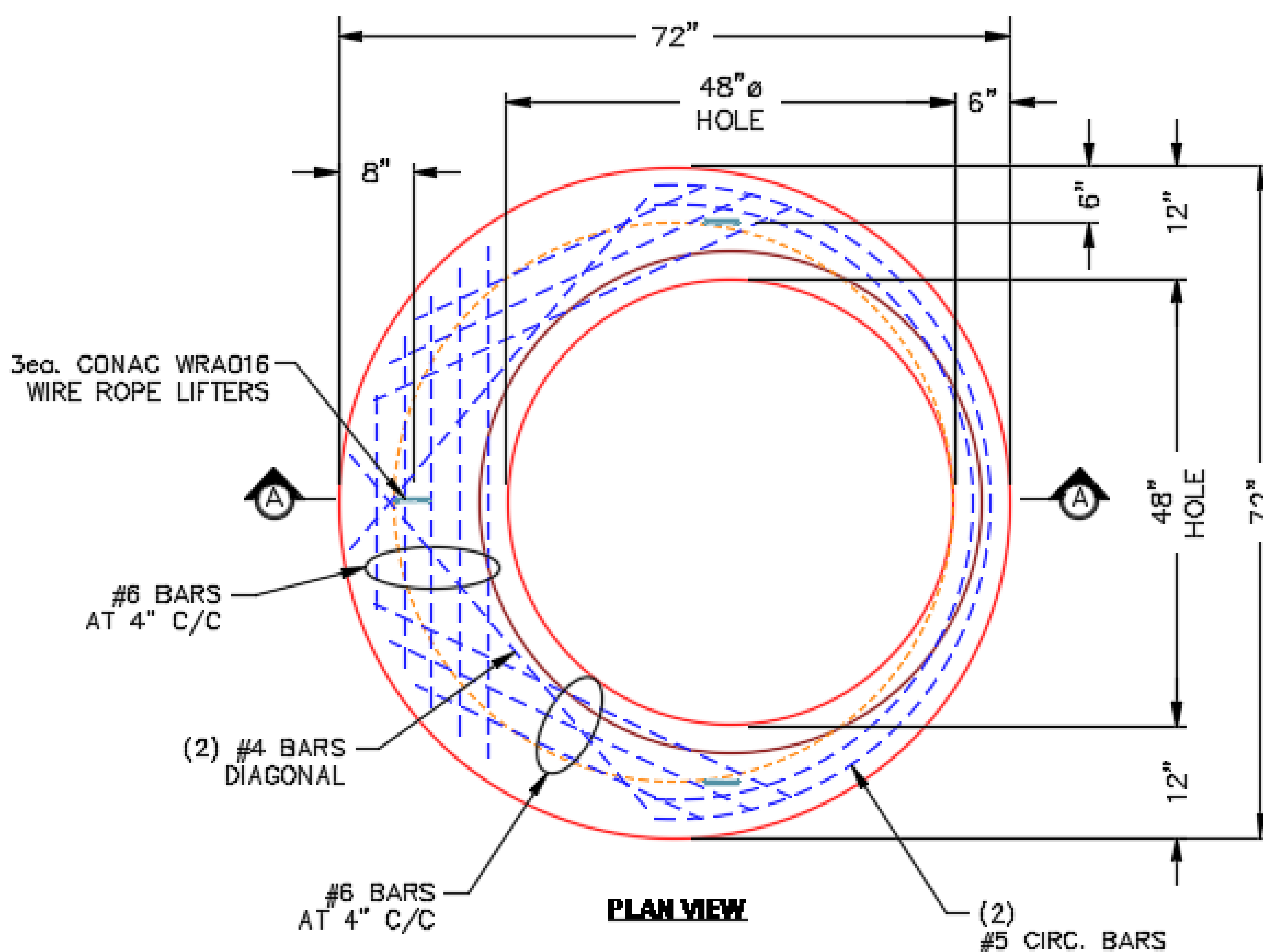
- 0 lb
- 1350 lb
- 1677 lb
- 1928 lb
- 8002 lb
- 250 lb
- 0 lb
- 0 lb
- 0 lb
- 0 lb

Structure Total: 13206 lb

Structure Notes:

- **INDOT STATE PROJECT****
1. INDOT MH TYPE C / ASTM C478 SPEC'S.
 2. CONCRETE = 4,000 PSI AT 28 DAYS.
 3. NO INVERT CHANNEL.
 4. CASTIN BY ICAST (INDOT TY.7 / EJ 6610 GRT).

REINFORCING PER ASTM A615 (GRADE 60).
 - TOP SLAB = H2O LOADING
 - RISER/WALLS (As .18)
 - FLOOR (As .47) #5 BARS AT 8" C.C.E.W.



Coating (Int):
 Coating (Ext):

Seam Up: Tongue
 Seam Dn: Groove

Wall Thickness: 6"

Height (Ext): 13"

Weight (Net): 1928 lb
 Volume (Net): 0.49cu.yd