

Job Name: 25-3303 INDOT B44119-A ORX-Sect. 3 - Vanderburgh Co.
 Job Location: Evansville, IN
 Contractor: Blankenberger Brothers, Inc.

Plant: 100

10/21/2025 7:34:43 PM

Tech: J. Horsley

PC: A. Chambers



Structure ID: 105 (108+80)

P5 MH108LD17ECC

MH FLAT TOP w/24" ECC Hole F/G

- P7) 24" - CASTING HEIGHT - 7"
- P6) 24" - GRADE RING F/F - 4"
- P5) 108" - MH FLAT TOP w/24" ECC Hole F/G - 17"
- P4) 108" - MH RISER T/G - 66"
- P3) 108" - MH RISER T/G - 96"
- P2) 108" - MH RISER T/G - 96"
- P1) 108" - MH BASE T/n - 96"
- 1) CASTING - EJ 1925 F/C
- 4) 108" - Conseal CS-102 1.00"
- 2) Hole - 75
- 1) Hole - 40
- 30) MH Step ML-10-TDS-NCR - 10"

0 lb
 270 lb
 10472 lb
 20531 lb
 29863 lb
 29863 lb
 33685 lb
 250 lb
 0 lb
 0 lb
 0 lb
 0 lb
 0 lb
 124932 lb

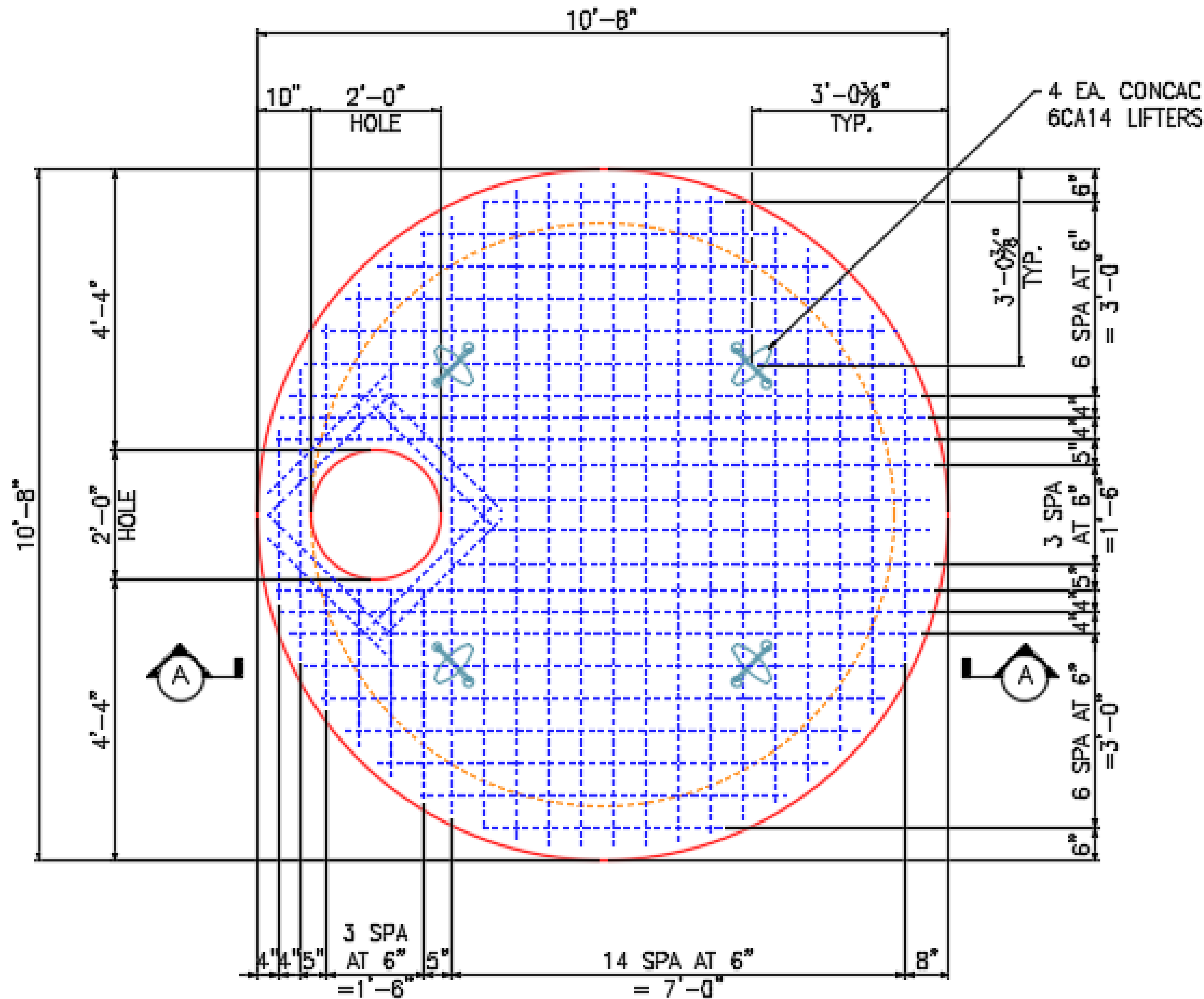
Structure Total:

Structure Notes:

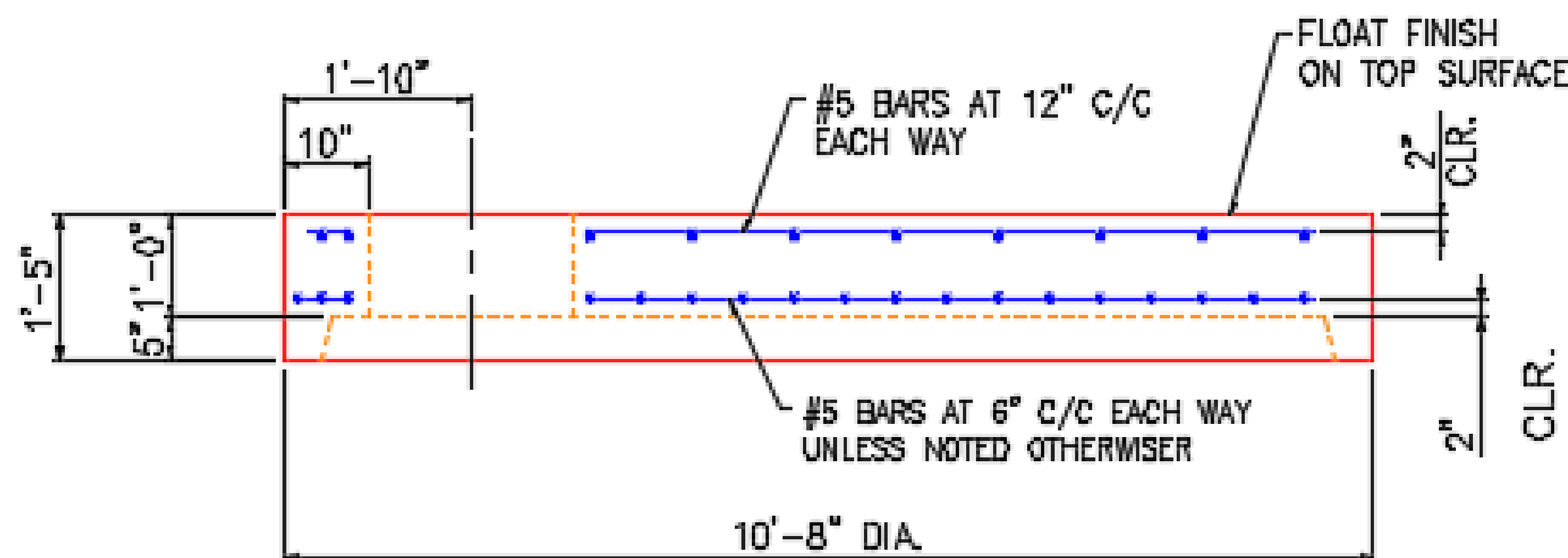
- **INDOT STATE PROJECT****
1. INDOT MH TYPE M / ASTM C478 SPEC'S.
 2. CONCRETE = 4,000 PSI AT 28 DAYS.
 3. NO INVERT CHANNEL.
 4. CASTING BY ICAST (INDOT TY.4 / EJ 1925 F/C).

REINFORCING PER ASTM A615 (GRADE 60).

- TOP SLAB = H2O LOADING.
- RISER/WALLS (As .30)
- FLOOR (As .47) #5 BARS AT 8" C.C.E.W.



TOP VIEW
 TOP LAYER REBAR NOT SHOWN FOR CLARITY



SECTION "A-A"

Coating (Int):
 Coating (Ext):

Seam Up: Flat
 Seam Dn: Groove

Wall Thickness: 10"

Height (Ext): 17"

Weight (Net): 10472 lb
 Volume (Net): 2.68cu.yd