

Job Name: 25-3295 - Jimmy Johns  
 Job Location: Georgetown, KY  
 Contractor: Kauffeld Brothers Construction

Plant: 100  
 4/9/2026 3:19:04 PM

Tech: J. Horsley - F  
 PC: C. Goff



**Structure ID: DB6**

**P1 BX24300808VF**

**BOX BASE 8inW, 8inF, Variable Ht F/n**

- P2) 24" x 30" - CASTING HEIGHT - 3.75"
- P1) 24" x 30" - BOX BASE 8inW, 8inF, Variable Ht F/n - 32"
- 1) CASTING - HOE KY-460-11 F/G (DBI 11)
- 1) 24" x 30" - Conseal CS-102 1.00"
- 1) Hole - 16
- 4) Hole - 1

0 lb  
 4106 lb  
 421 lb  
 0 lb  
 0 lb  
 0 lb  
 -----  
 Structure Total: 4527 lb

- Structure Notes:**  
 \*\*KYTC STATE PROJECT\*\*  
 1. KYTC DBI TYPE 11 / ASTM C-913 SPEC'S.  
 2. CONCRETE = 4,000 PSI AT 28 DAYS.  
 3. NO STEPS AND NO INVERT CHANNEL.  
 4. CASTING BY ICAST (HOE KY-460-11 F/G (DBI 11)).

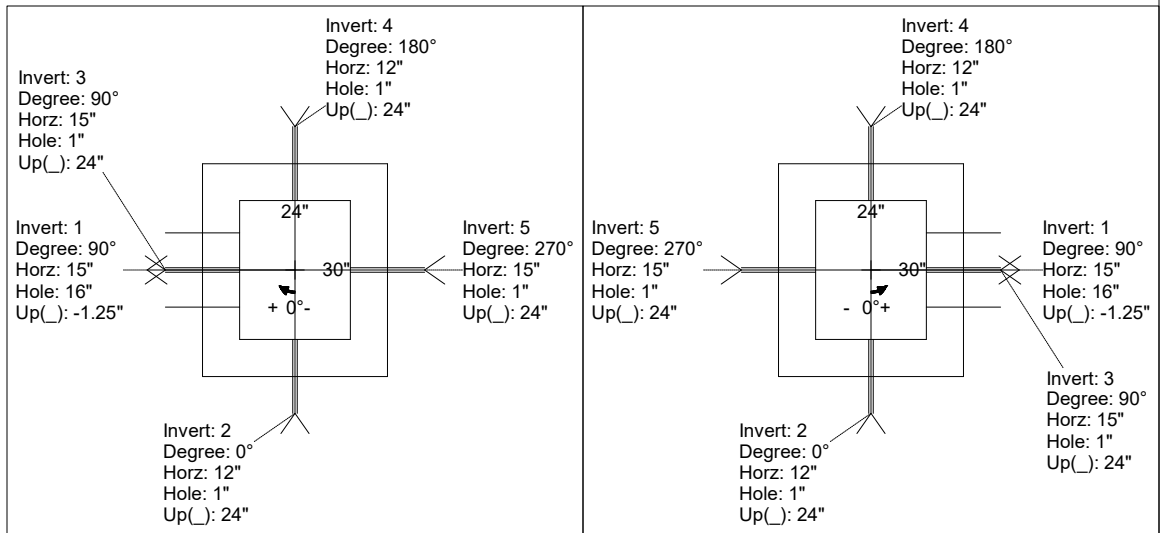
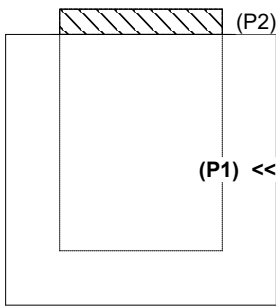
REINFORCING PER ASTM A615 (GRADE 60).  
 - WALLS (As .31) #5 BARS AT 12" C.C.E.W..  
 - FLOOR (As .31) #5 BARS AT 12" C.C.E.W.

Rim: 855' Rim to Invert: 3' Slack: 0.25" Sump: 0" Step Position:

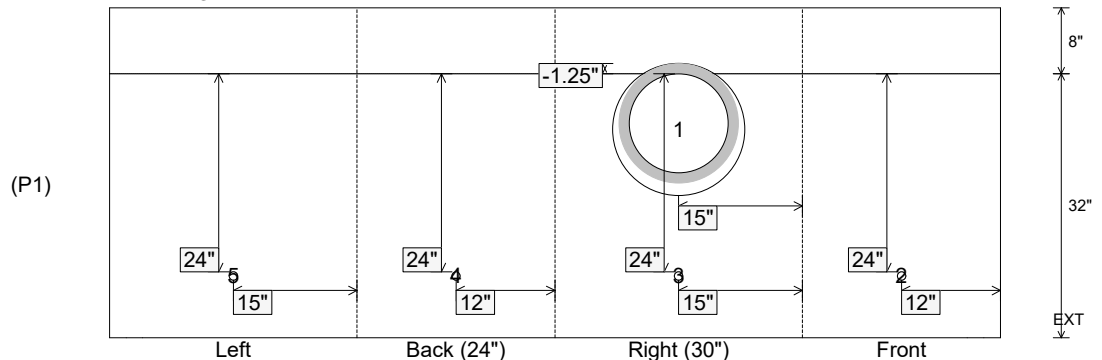
Position	Elev	Angle	Ext. (cw)	Pipe	Pipe OD	Connector	Hole	Horz Size	Up ( )	Offset
Invert 1	852'	90°	23"	12" HDPE	14.5"	Hole 16	16"	16"	-1.25"	0"
Invert 2	854'	0°	20"	1" WEEP HOLE	1"	Hole 1	1"	1"	24"	0"
Invert 3	854'	90°	23"	1" WEEP HOLE	1"	Hole 1	1"	1"	24"	0"
Invert 4	854'	180°	20"	1" WEEP HOLE	1"	Hole 1	1"	1"	24"	0"
Invert 5	854'	270°	23"	1" WEEP HOLE	1"	Hole 1	1"	1"	24"	0"
Invert 6										
Invert 7										
Invert 8										

RIGHT-SIDE UP VIEW (int. dimensions)

UPSIDE-DOWN VIEW (int. dimensions)



INSIDE WALL DIMENSIONS



Coating (Int):  
 Coating (Ext):

Seam Up: Flat  
 Seam Dn: n/a

Wall Thickness: 8"  
 Floor Height: 8"

Height (Int): 32"  
 Height (Ext): 40"

Weight (Net): 4106 lb  
 Volume (Net): 1.05cu.yd