

Job Name: 25-3295 - Jimmy Johns
 Job Location: Georgetown, KY
 Contractor: Kauffeld Brothers Construction

Plant: 100
 4/9/2026 3:19:01 PM

Tech: J. Horsley - F
 PC: C. Goff



Structure ID: DB3

P1 BX24300808VF

BOX BASE 8inW, 8inF, Variable Ht F/n

- P2) 24" x 30" - CASTING HEIGHT - 3.75"
- P1) 24" x 30" - BOX BASE 8inW, 8inF, Variable Ht F/n - 47"
- 1) CASTING - HOE KY-460-11 F/G (DBI 11)
- 1) 24" x 30" - Conseal CS-102 1.00"
- 1) Hole - 20
- 1) Hole - 12
- 4) Hole - 1

0 lb
 5363 lb
 421 lb
 0 lb
 0 lb
 0 lb
 0 lb

 Structure Total: 5784 lb

- Structure Notes:**
 KYTC STATE PROJECT
 1. KYTC DBI TYPE 11 / ASTM C-913 SPEC'S.
 2. CONCRETE = 4,000 PSI AT 28 DAYS.
 3. NO STEPS AND NO INVERT CHANNEL.
 4. CASTING BY ICAST (HOE KY-460-11 F/G (DBI 11)).

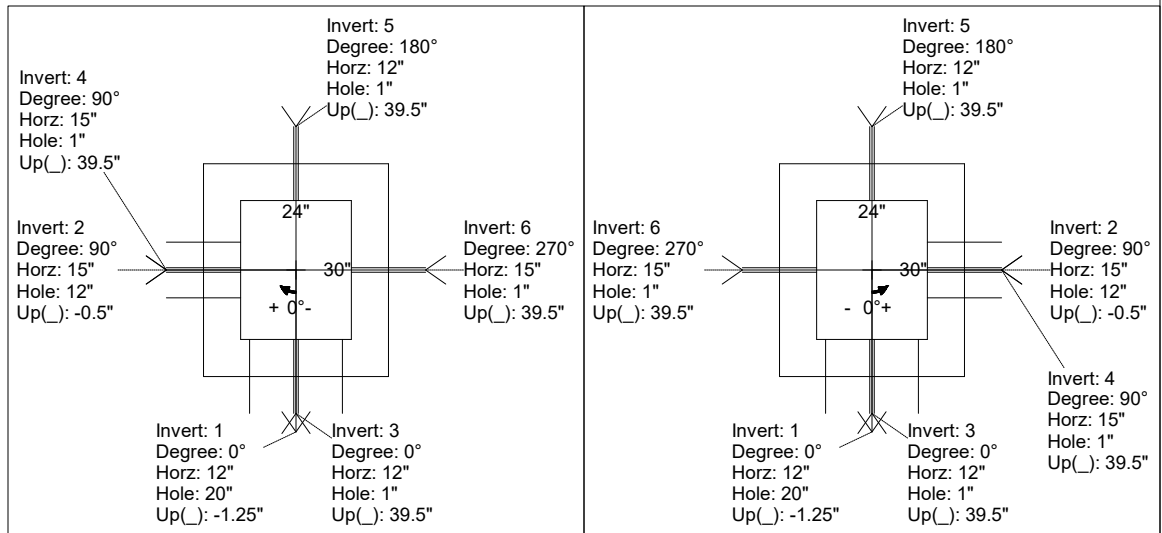
REINFORCING PER ASTM A615 (GRADE 60).
 - WALLS (As .31) #5 BARS AT 12" C.C.E.W..
 - FLOOR (As .31) #5 BARS AT 12" C.C.E.W.

Rim: 852' Rim to Invert: 4.29' Slack: 0.73" Sump: 0" Step Position:

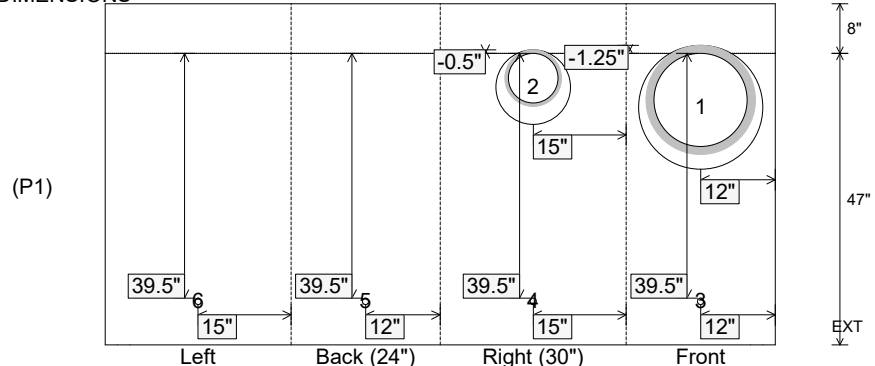
Position	Elev	Angle	Ext. (cw)	Pipe	Pipe OD	Connector	Hole	Horz Size	Up ()	Offset
Invert 1	847.71'	0°	20"	15" HDPE	17.6"	Hole 20	20"	20"	-1.25"	0"
Invert 2	847.71'	90°	23"	8" HDPE	9.1"	Hole 12	12"	12"	-0.5"	0"
Invert 3	851'	0°	20"	1" WEEP HOLE	1"	Hole 1	1"	1"	39.5"	0"
Invert 4	851'	90°	23"	1" WEEP HOLE	1"	Hole 1	1"	1"	39.5"	0"
Invert 5	851'	180°	20"	1" WEEP HOLE	1"	Hole 1	1"	1"	39.5"	0"
Invert 6	851'	270°	23"	1" WEEP HOLE	1"	Hole 1	1"	1"	39.5"	0"
Invert 7										
Invert 8										

RIGHT-SIDE UP VIEW (int. dimensions)

UPSIDE-DOWN VIEW (int. dimensions)



INSIDE WALL DIMENSIONS



Coating (Int):
 Coating (Ext):

Seam Up: Flat
 Seam Dn: n/a

Wall Thickness: 8"
 Floor Height: 8"

Height (Int): 47"
 Height (Ext): 55"

Weight (Net): 5363 lb
 Volume (Net): 1.37cu.yd