

Job Name: 25-3295 - Jimmy Johns
 Job Location: Georgetown, KY
 Contractor: Kauffeld Brothers Construction

Plant: 100
 4/9/2026 3:18:58 PM

Tech: J. Horsley - F
 PC: C. Goff



Structure ID: DB1

P1 BX24300808VF

BOX BASE 8inW, 8inF, Variable Ht F/n

- P2) 24" x 30" - CASTING HEIGHT - 3.75"
- P1) 24" x 30" - BOX BASE 8inW, 8inF, Variable Ht F/n - 26"
- 1) CASTING - HOE KY-460-11 F/G (DBI 11)
- 1) 24" x 30" - Conseal CS-102 1.00"
- 1) Hole - 16
- 4) Hole - 1

0 lb
 3542 lb
 421 lb
 0 lb
 0 lb
 0 lb

 Structure Total: 3963 lb

- Structure Notes:**
 KYTC STATE PROJECT
 1. KYTC DBI TYPE 11 / ASTM C-913 SPEC'S.
 2. CONCRETE = 4,000 PSI AT 28 DAYS.
 3. NO STEPS AND NO INVERT CHANNEL.
 4. CASTING BY ICAST (HOE KY-460-11 F/G (DBI 11)).

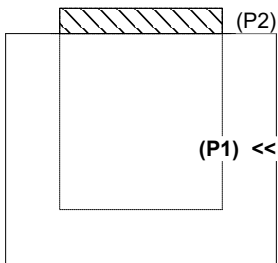
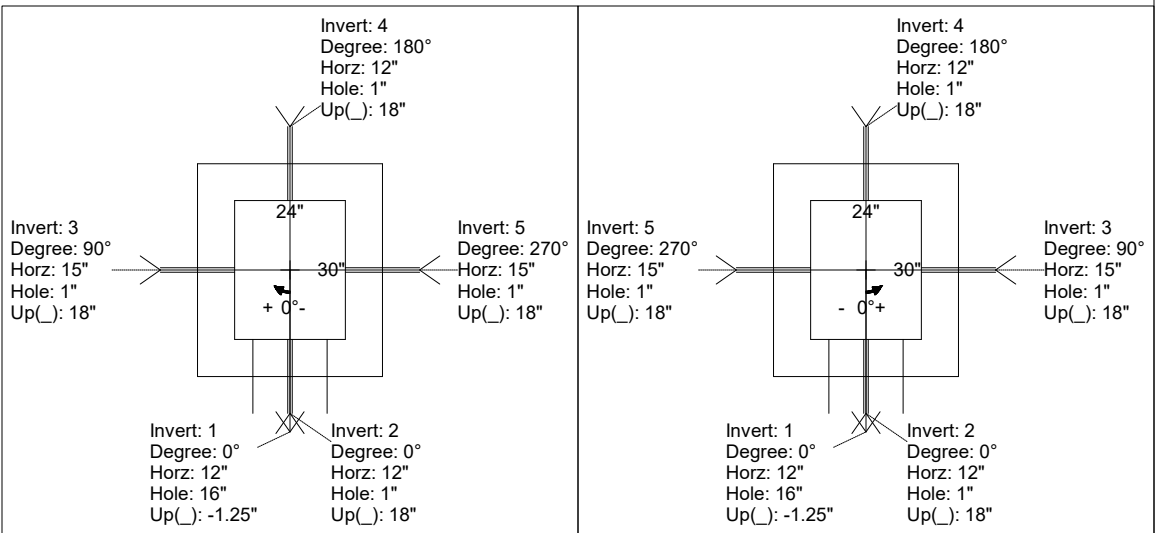
REINFORCING PER ASTM A615 (GRADE 60).
 - WALLS (As .31) #5 BARS AT 12" C.C.E.W..
 - FLOOR (As .31) #5 BARS AT 12" C.C.E.W.

Rim: 852.5' Rim to Invert: 2.5' Slack: 0.25" Sump: 0" Step Position:

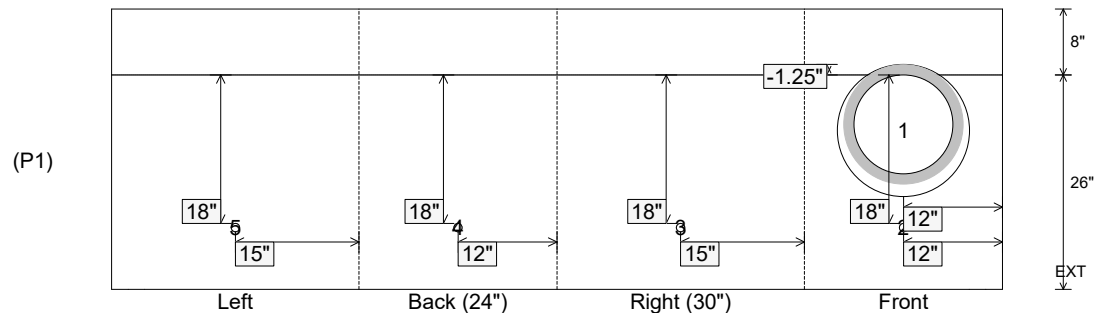
Position	Elev	Angle	Ext. (cw)	Pipe	Pipe OD	Connector	Hole	Horz Size	Up ()	Offset
Invert 1	850'	0°	20"	12" HDPE	14.5"	Hole 16	16"	16"	-1.25"	0"
Invert 2	851.5'	0°	20"	1" WEEP HOLE	1"	Hole 1	1"	1"	18"	0"
Invert 3	851.5'	90°	23"	1" WEEP HOLE	1"	Hole 1	1"	1"	18"	0"
Invert 4	851.5'	180°	20"	1" WEEP HOLE	1"	Hole 1	1"	1"	18"	0"
Invert 5	851.5'	270°	23"	1" WEEP HOLE	1"	Hole 1	1"	1"	18"	0"
Invert 6										
Invert 7										
Invert 8										

RIGHT-SIDE UP VIEW (int. dimensions)

UPSIDE-DOWN VIEW (int. dimensions)



INSIDE WALL DIMENSIONS



Coating (Int):
 Coating (Ext):

Seam Up: Flat
 Seam Dn: n/a

Wall Thickness: 8"
 Floor Height: 8"

Height (Int): 26"
 Height (Ext): 34"

Weight (Net): 3542 lb
 Volume (Net): 0.9cu.yd