

Job Name: 25-3295 - Jimmy Johns
Job Location: Georgetown, KY
Contractor: Kauffeld Brothers Construction

PC: C. Goff
 TECH: J. Horsley - F
 Plant: 100



Structure ID: **CS1**
 Spec: Storm
 Type: BX 8inW, 8inF
 Size: 24" x 24"

Rim: 853.75'
 Invert: 851'
 Rim to Invert: 2.75'

Sump: 0"
 Floor (Top): 851'
 Floor Height: 8"

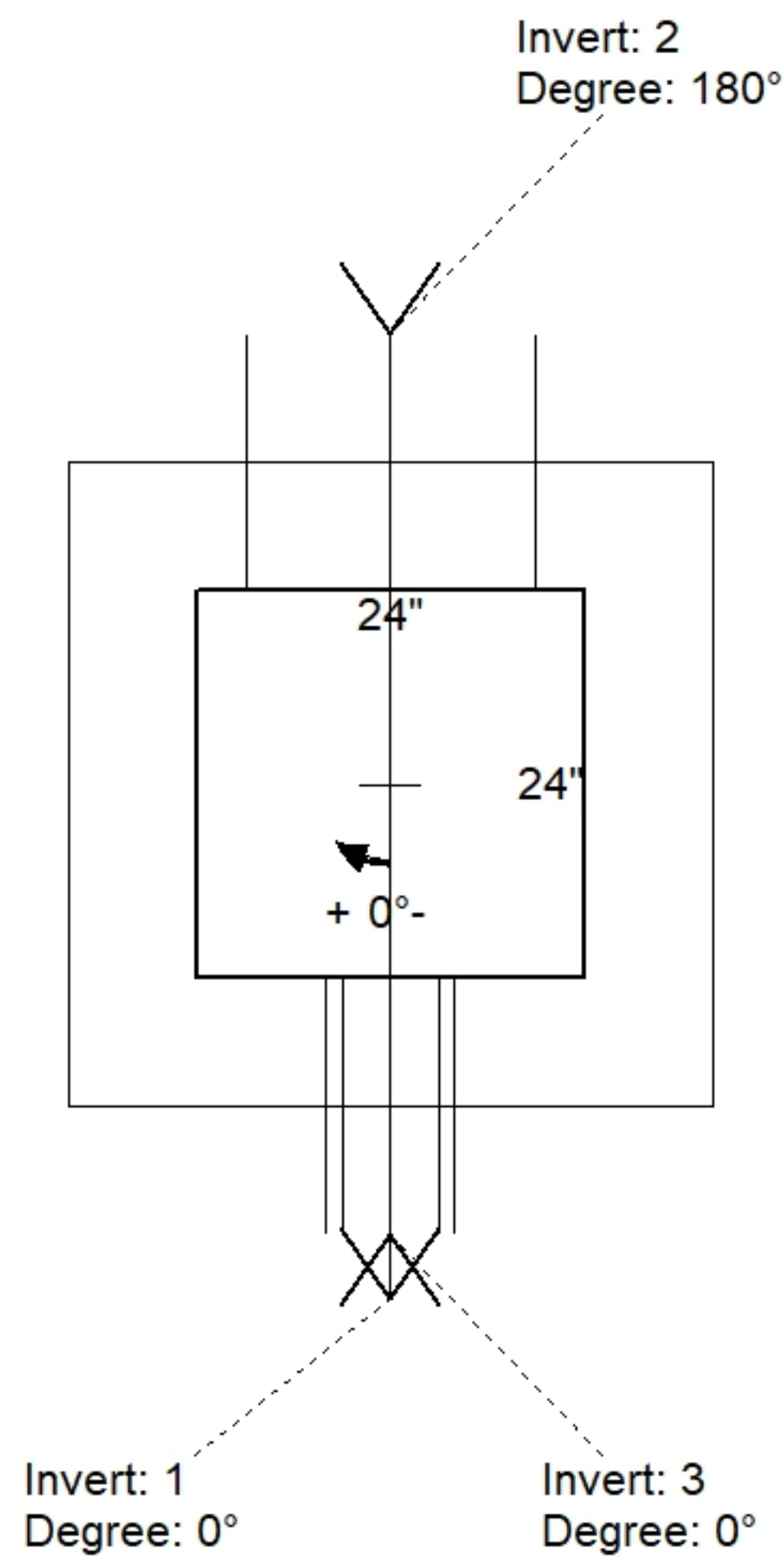
Floor (Bot): 850.333'
 Overall Height: 3.417'
 Slack: 0"

Structure Notes:
 1. PER ASTM C913 SPECIFICATIONS.
 2. CONCRETE = 4,000 PSI AT 28 DAYS.
 3. NO STEPS AND NO INVERT CHANNEL.
 4. CASTING BY ICAST ((TRASH RACK LFS-2424)).

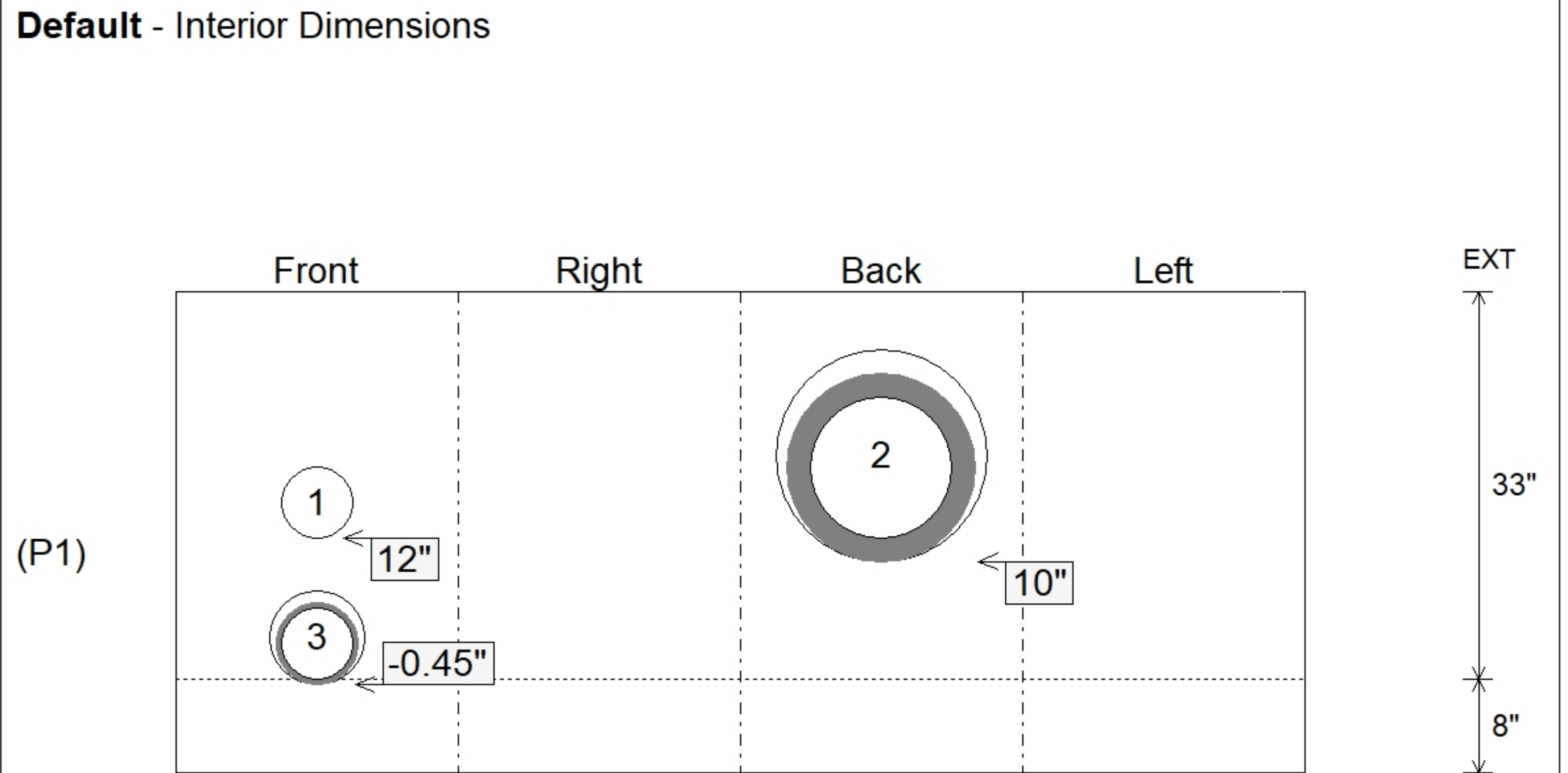
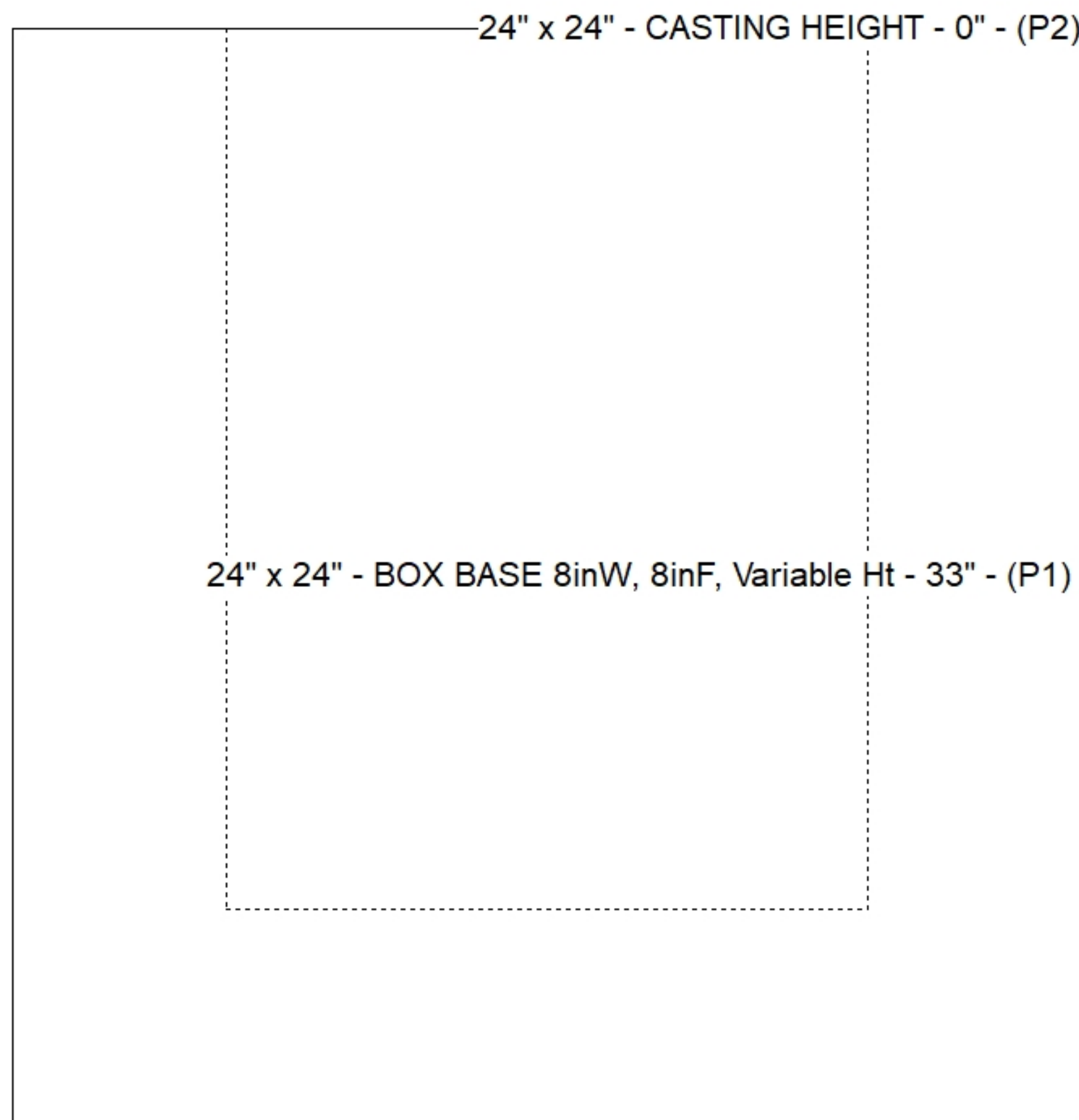
REINFORCING PER ASTM A615 (GRADE 60).
 - WALLS (As .12) #5 BARS AT 12" C.C.E.W.
 - FLOOR (As .12) #5 BARS AT 12" C.C.E.W.

STRUCTURE SUMMARY:

P2) 24" x 24" - CASTING HEIGHT - 0"	0 lb
P1) 24" x 24" - BOX BASE 8inW, 8inF, Variable Ht - 33"	3686 lb
1) CASTING - TRASHRACKS LFS-2424-P SQ. Flush Mount Grate	59 lb
1) 24" x 24" - Conseal CS-102 1.00"	0 lb
1) Hole - 6	0 lb
1) Hole - 18	0 lb
1) Hole - 8	0 lb
Structure Total:	3745 lb



Position	Elev	Angle	Pipe	Pipe OD	Hole	Connector	Up ()	Ref
Rim	853.75'							
Reducer								
Invert 1	852'	0°	6" Orifice	6"	6"	Hole 6	12"	P1
Invert 2	852'	180°	12" RCP B WALL	16"	18"	Hole 18	10"	P1
Invert 3	851'	0°	6" HDPE (perf pipe)	6.9"	8"	Hole 8	-0.45"	P1
Invert 4								
Invert 5								
Invert 6								
Invert 7								
Invert 8								



Submittal Drawing
 4/10/2026 11:26:14 AM

SUBMITTAL
 APPROVED BY: