

**Job Name: 25-3294 Southern Tire Mart Vaults**  
**Job Location: Franklin, KY**  
**Contractor: Warren County Water District**

PC: J. Jarvis  
 TECH: J. Coppage  
 Plant: Beaver Dam



Structure ID: ICAST LI2

Spec: Storm  
 Type: BX 8inW, (Open Btm)  
 Size: 48" x 48"

Rim: 5.5'  
 Invert: 0.33'  
 Rim to Invert: 5.17'

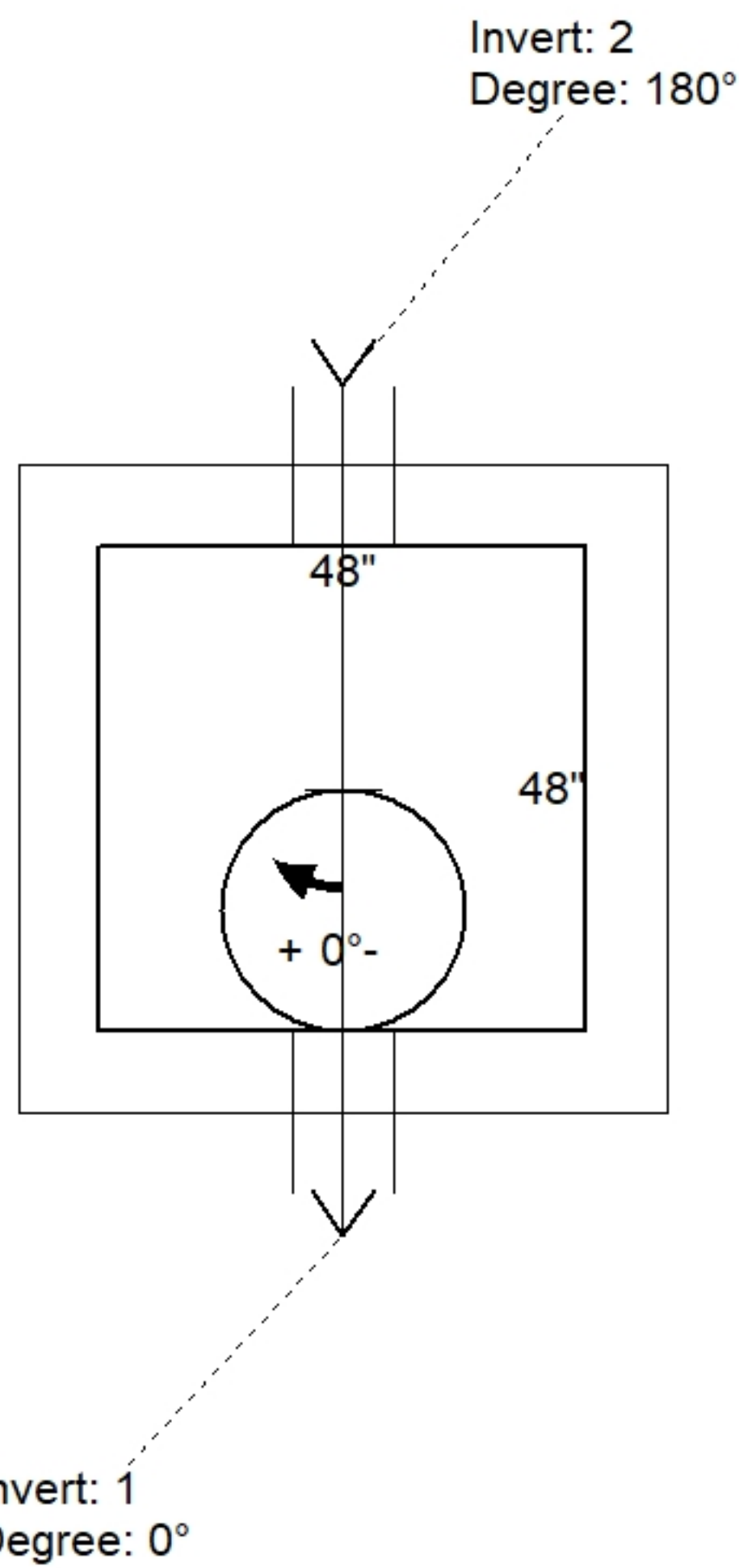
Sump: 4"  
 Floor (Top): -0.003'  
 Floor Height: 0"

Floor (Bot): -0.003'  
 Overall Height: 5.5'  
 Slack: 0.04"

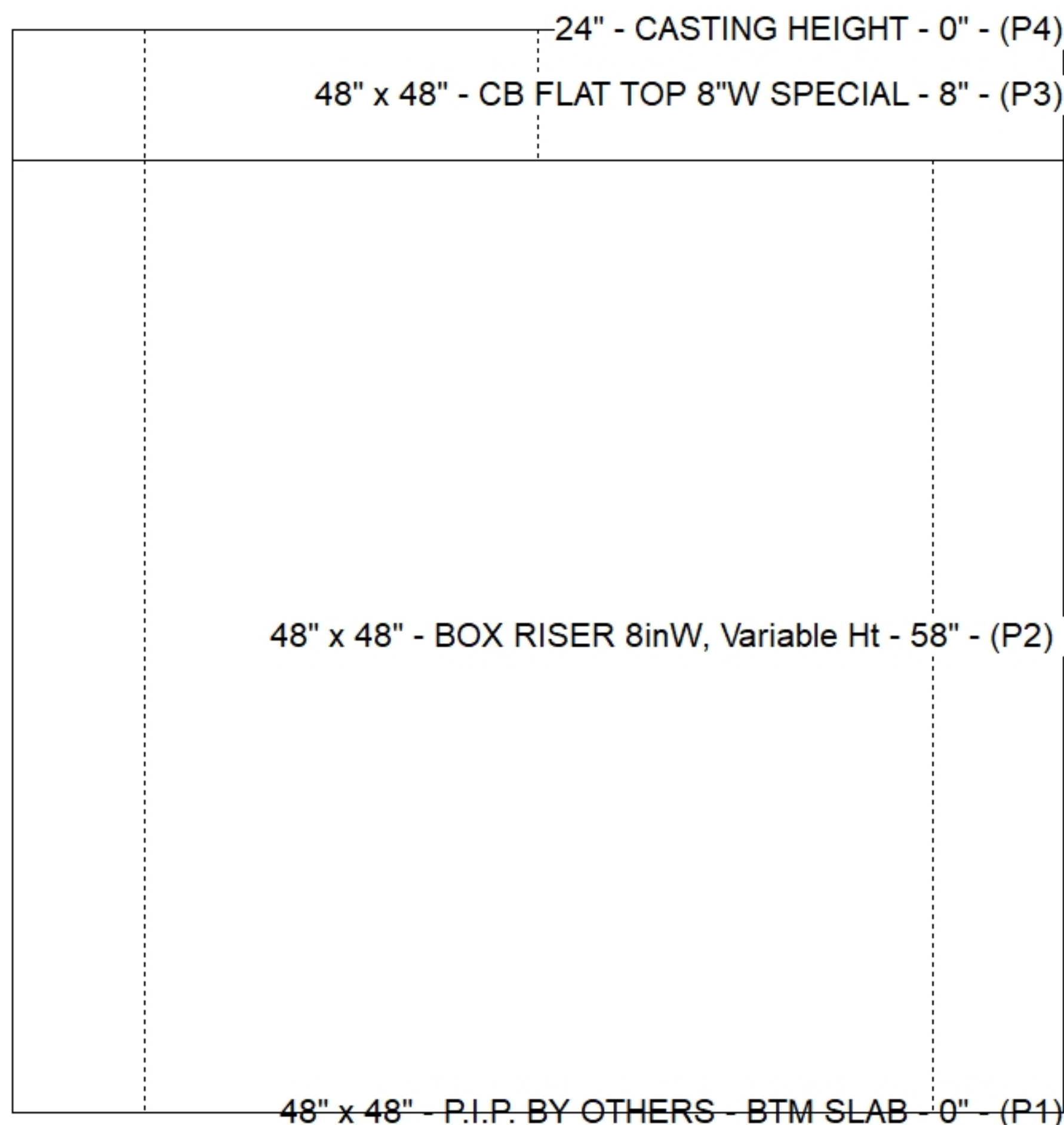
Structure Notes:

STRUCTURE SUMMARY:

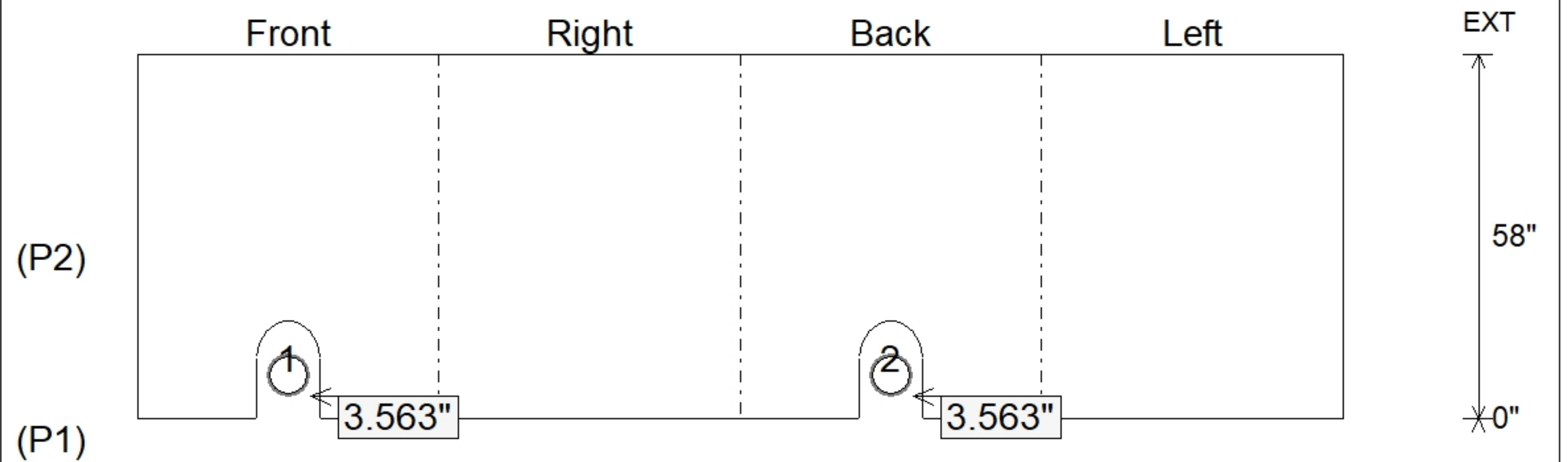
P4) 24" - CASTING HEIGHT - 0"	0 lb
P3) 48" x 48" - CB FLAT TOP 8"W SPECIAL - 8"	2446 lb
P2) 48" x 48" - BOX RISER 8inW, Variable Ht - 58"	8530 lb
P1) 48" x 48" - P.I.P. BY OTHERS - BTM SLAB - 0"	0 lb
1) HATCH (Alum.) - HALLIDAY W1S 36"x36"	78 lb
2) DOGHOUSE - 10"x12"	0 lb
	-----
Structure Total:	11054 lb



Position	Elev	Angle	Pipe	Pipe OD	Hole	Connector	Up (")	Ref
Rim	5.5'							
Reducer								
Invert 1	0.33'	0°	6" DI	6.875"	10" x 12"	DOGHOUSE 10"x12"	3.563"	P2
Invert 2	0.33'	180°	6" DI	6.875"	10" x 12"	DOGHOUSE 10"x12"	3.563"	P2
Invert 3								
Invert 4								
Invert 5								
Invert 6								
Invert 7								
Invert 8								



**Default - Interior Dimensions**



Submittal Drawing  
 10/7/2025 3:20:42 PM

SUBMITTAL  
 APPROVED BY: