

**Structure ID: ICAST LI2**

**P1 P.I.P. BY OTHERS - BTM SLAB**

|   |          |
|---|----------|
| P4) 24" - CASTING HEIGHT - 0"                     | 0 lb     |
| P3) 48" x 48" - CB FLAT TOP 8"W SPECIAL - 8"      | 2446 lb  |
| P2) 48" x 48" - BOX RISER 8inW, Variable Ht - 58" | 8530 lb  |
| P1) 48" x 48" - P.I.P. BY OTHERS - BTM SLAB - 0"  | 0 lb     |
| 1) HATCH (Alum.) - HALLIDAY W1S 36"x36"           | 78 lb    |
| 2) DOGHOUSE - 10"x12"                             | 0 lb     |
| Structure Total:                                  | 11054 lb |

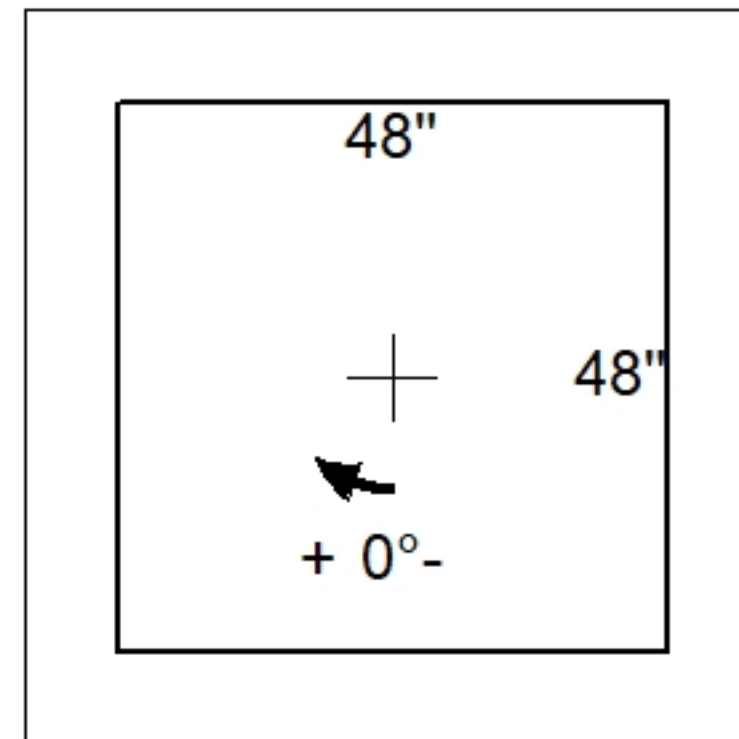
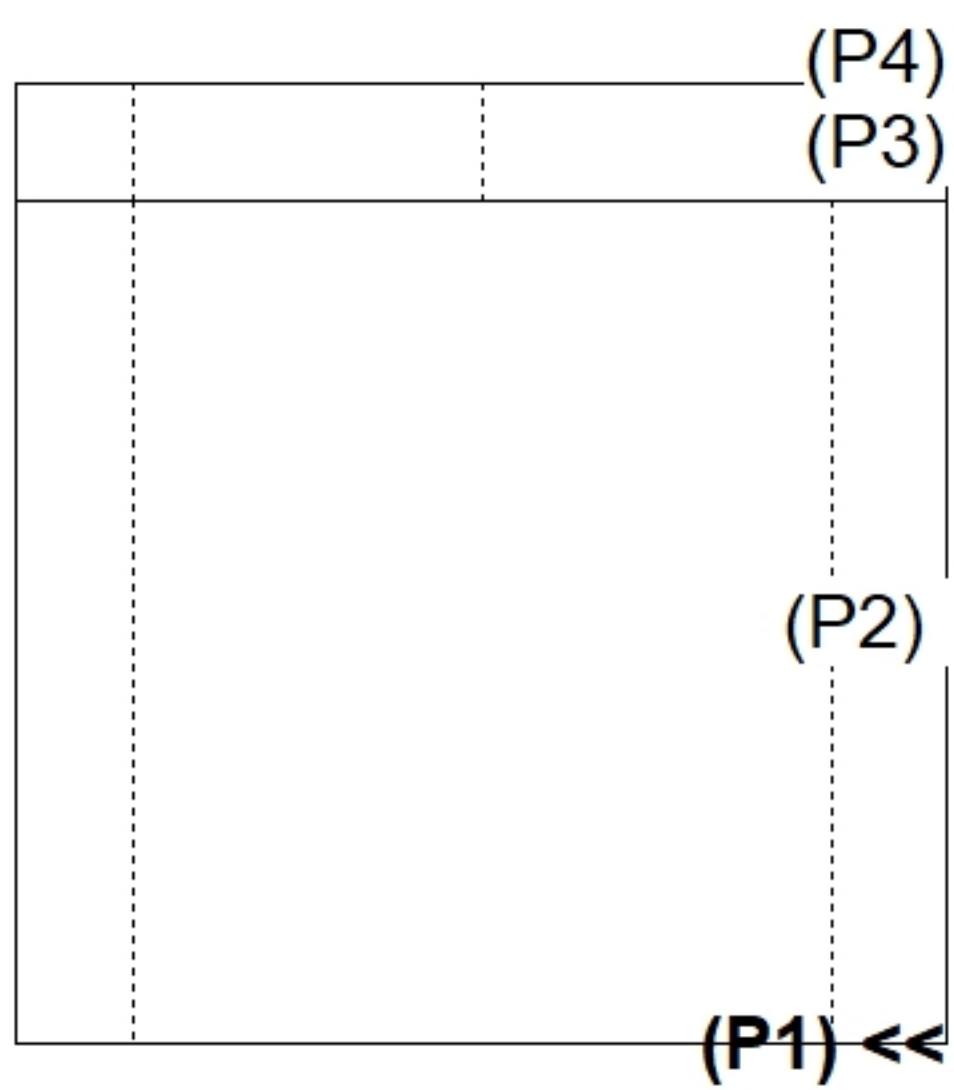
Structure Notes:

Rim: 5.5'    Rim to Invert: 5.17'    Slack: 0.04"    Sump: 4"    Step Position:

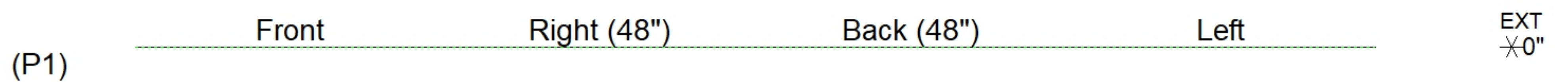
| Position | Elev | Angle | Ext. (cw) | Pipe | Pipe OD | Connector | Hole | Horz Size | Up (L) | Offset |
|----------|------|-------|-----------|------|---------|-----------|------|-----------|--------|--------|
| Invert 1 |      |       |           |      |         |           |      |           |        |        |
| Invert 2 |      |       |           |      |         |           |      |           |        |        |
| Invert 3 |      |       |           |      |         |           |      |           |        |        |
| Invert 4 |      |       |           |      |         |           |      |           |        |        |
| Invert 5 |      |       |           |      |         |           |      |           |        |        |
| Invert 6 |      |       |           |      |         |           |      |           |        |        |
| Invert 7 |      |       |           |      |         |           |      |           |        |        |
| Invert 8 |      |       |           |      |         |           |      |           |        |        |

RIGHT-SIDE UP VIEW (int. dimensions)

UPSIDE-DOWN VIEW (int. dimensions)



INSIDE WALL DIMENSIONS



|                                  |                               |  |                                      |  |
|----------------------------------|-------------------------------|--|--------------------------------------|--|
| Coating (Int):<br>Coating (Ext): | Seam Up: Flat<br>Seam Dn: n/a | Wall Thickness: 8"<br>Floor Height: 0" | Height (Int): 0"<br>Height (Ext): 0" | Weight (Net): 0 lb<br>Volume (Net): 0cu.yd |
|----------------------------------|-------------------------------|--|--------------------------------------|--|