

**Job Name: 25-3292 Arbor View Sec. 2**  
**Job Location: Eminence, KY**  
**Contractor: Core & Main LP (Lou)**

PC: J.Jarvis  
 TECH: C.Russ  
 Plant: Beaver Dam



Structure ID: **SSMH F1**

Spec: Sanitary  
 Type: SAN.MH  
 Size: 48"  
 Rim: 916.56'  
 Invert: 912.14'  
 Rim to Invert: 4.42'

Sump: 2"  
 Floor (Top): 911.973'  
 Floor Height: 6"

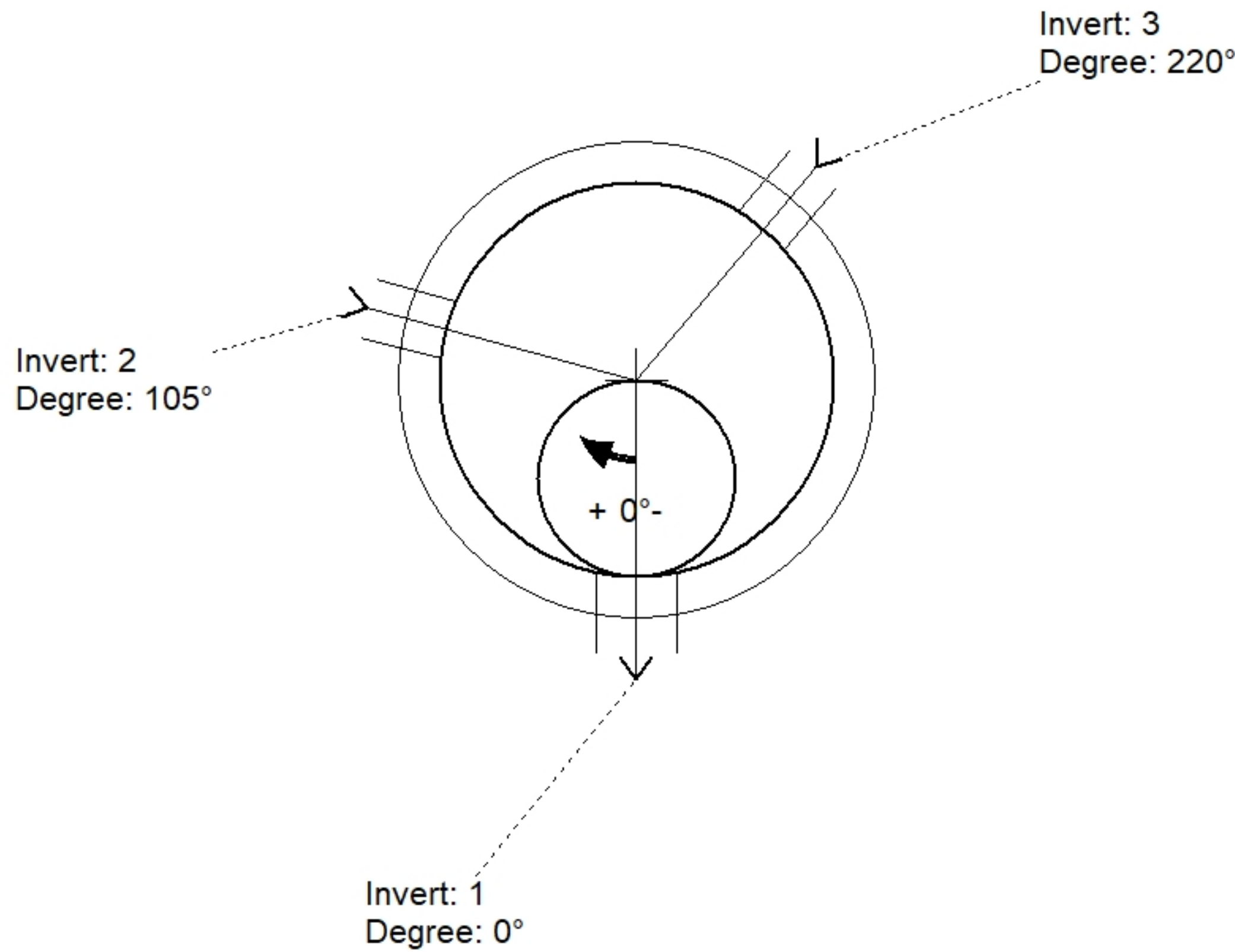
Floor (Bot): 911.473'  
 Overall Height: 5.083'  
 Slack: 0.04"

**Structure Notes:**

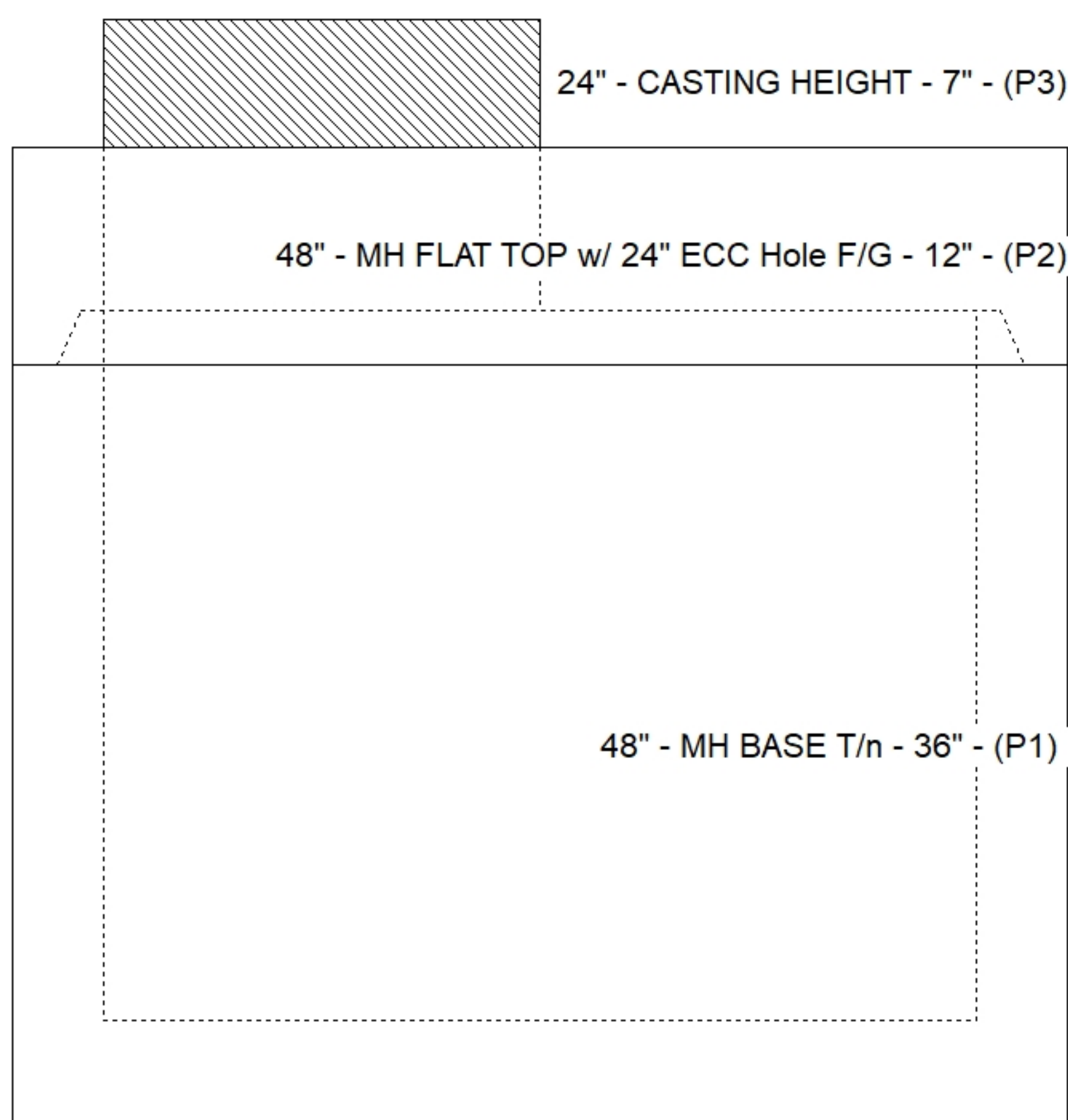
1. PER ASTM C478 SPECIFICATIONS.
2. CONCRETE = 4,000 PSI AT 28 DAYS.
3. MC-315 "SANITARY" BY ICAST
4. REINFORCING PER ASTM A615 (GRADE 60).  
 - CONE (As .12)  
 - RISER/WALLS (As .12)  
 - FLOOR (As .31) #5 BARS AT 12" C.C.E.W.
5. NO STEPS

**STRUCTURE SUMMARY:**

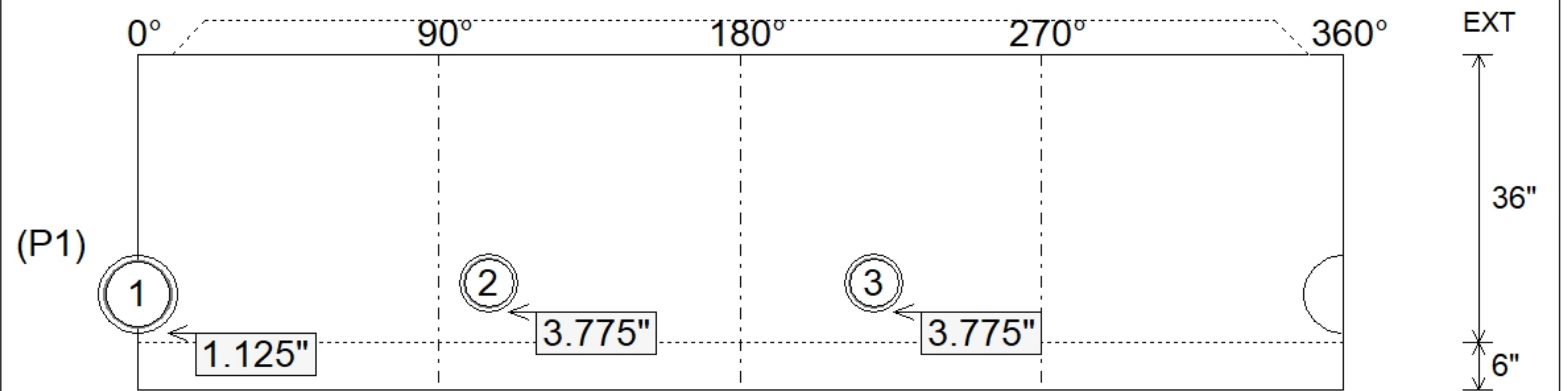
P3) 24" - CASTING HEIGHT - 7"	0 lb
P2) 48" - MH FLAT TOP w/ 24" ECC Hole F/G - 12"	1561 lb
P1) 48" - MH BASE T/n - 36"	3779 lb
1) 48" - MH INVERT CHANNEL - FULL HEIGHT	1440 lb
1) JOINT WRAP - 0.065"x6"x50' CONSEAL CS212	0 lb
1) JOINT WRAP PRIMER - CONSEAL CS-75 (1 gal.)	0 lb
1) CASTING - HOE MC-315 F/C Sanitary	258 lb
1) 48" - DBL 1"x14.5' Butyl (2x)	0 lb
1) A-Lok - 0285	1 lb
2) A-Lok - 0210	2 lb
<b>Structure Total:</b>	<b>7041 lb</b>



Position	Elev	Angle	Pipe	Pipe OD	Hole	Connector	Up (")	Ref
Rim	916.56'							
Reducer								
Invert 1	912.14'	0°	8" PVC SDR35	8.5"	9.75"	A-Lok 0285	1.125"	P1
Invert 2	912.34'	105°	6" PVC SDR35	6.25"	7.25"	A-Lok 0210	3.775"	P1
Invert 3	912.34'	220°	6" PVC SDR35	6.25"	7.25"	A-Lok 0210	3.775"	P1
Invert 4								
Invert 5								
Invert 6								
Invert 7								
Invert 8								



**Default - Interior Dimensions**



Submittal Drawing  
 10/14/2025 8:12:58 AM

SUBMITTAL  
 APPROVED BY: