

Job Name: 25-3292 Arbor View Sec. 2
Job Location: Eminence, KY
Contractor: Core & Main LP (Lou)

PC: J.Jarvis
 TECH: C.Russ
 Plant: Beaver Dam



Structure ID: CBI-A6

Spec: Storm
 Type: STM.MH (Recessed pipe)
 Size: 60"

Rim: 887.78'
 Invert: 881.59'
 Rim to Invert: 6.19'

Sump: 2.55"
 Floor (Top): 881.378'
 Floor Height: 8"

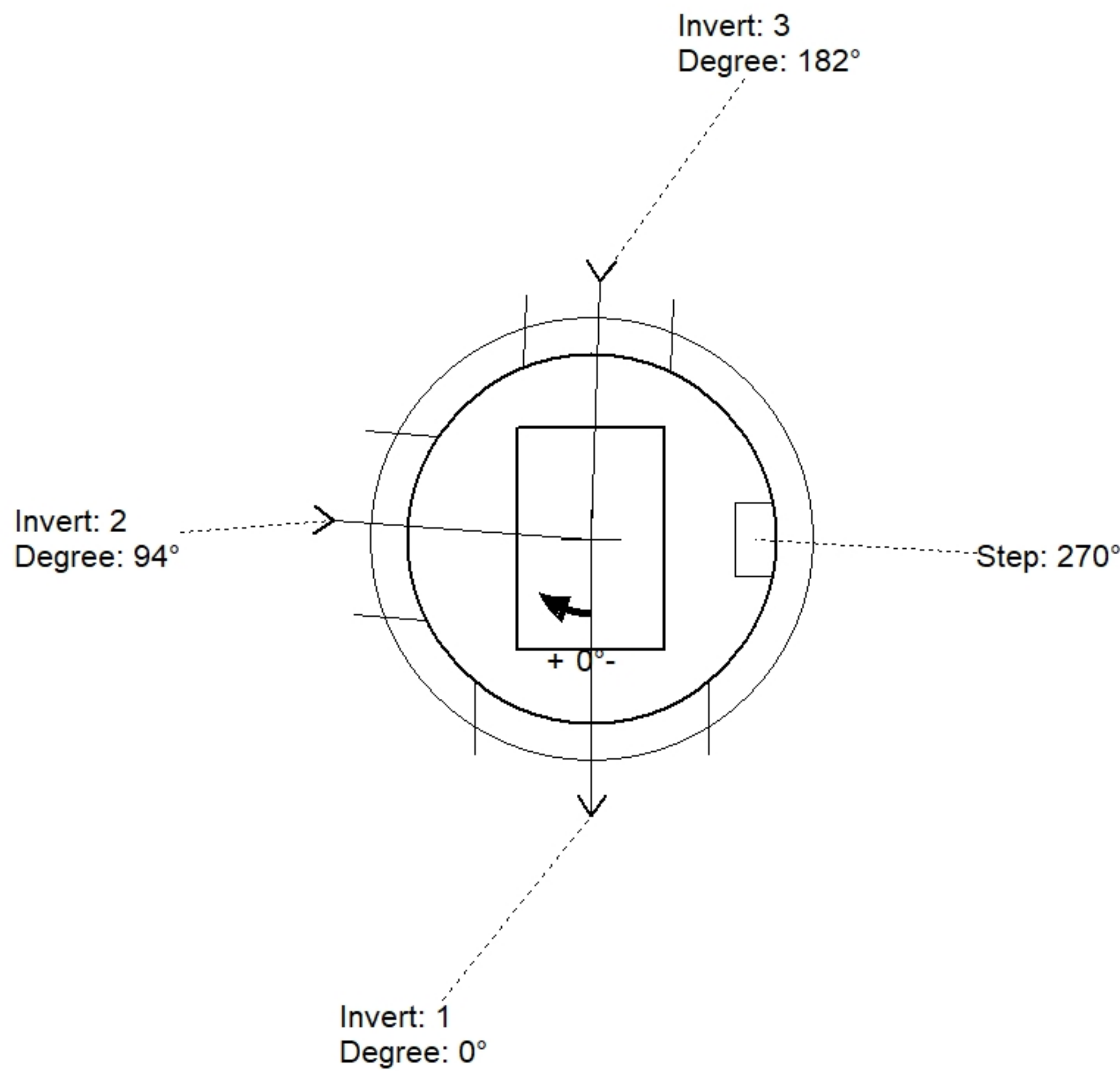
Floor (Bot): 880.711'
 Overall Height: 7'
 Slack: 0.83"

Structure Notes:

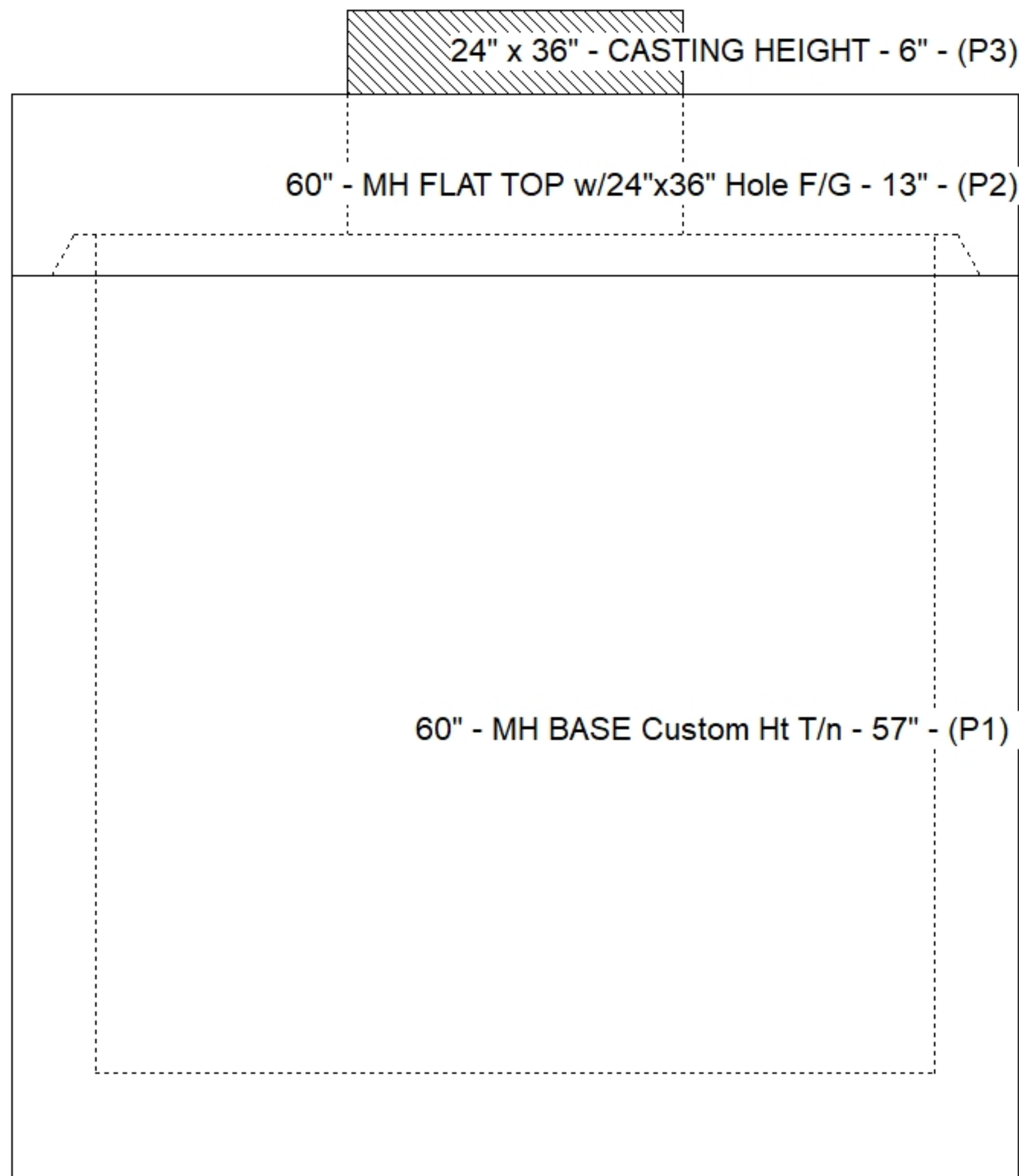
1. PER ASTM C478 SPECIFICATIONS.
2. CONCRETE = 4,000 PSI AT 28 DAYS.
3. HOE 525 BY ICAST
4. REINFORCING PER ASTM A615 (GRADE 60).
 - TOP SLAB (As .62) #5 BARS AT 6" C.C.E.W..
 - RISER/WALLS (As .18)
 - FLOOR (As .37) #5 BARS AT 10" C.C.E.W.

STRUCTURE SUMMARY:

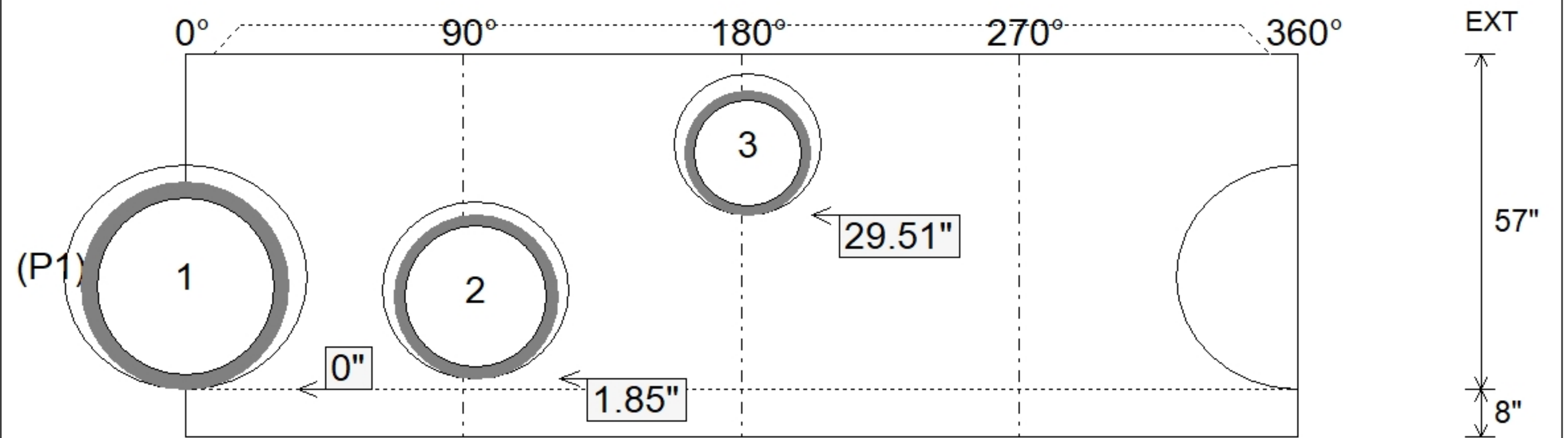
P3) 24" x 36" - CASTING HEIGHT - 6"	0 lb
P2) 60" - MH FLAT TOP w/24"x36" Hole F/G - 13"	3499 lb
P1) 60" - MH BASE Custom Ht T/n - 57"	7470 lb
1) CASTING - HOE 525 LV SET (F/G/H)	442 lb
1) 60" - Conseal CS-102 1.00"	0 lb
1) 24" x 36" - Conseal CS-102 1.00"	0 lb
1) Hole - 38	0 lb
1) Hole - 30	0 lb
1) Hole - 24	0 lb
5) MH Step ML-10-TDS-NCR - 10"	0 lb
Structure Total:	11411 lb



Position	Elev	Angle	Pipe	Pipe OD	Hole	Connector	Up (")	Ref
Rim	887.78'							
Reducer								
Invert 1	881.59'	0°	30" HDPE	35.1"	38"	Hole 38	0"	P1
Invert 2	881.69'	94°	24" HDPE	27.8"	30"	Hole 30	1.85"	P1
Invert 3	883.97'	182°	18" HDPE	21.2"	24"	Hole 24	29.51"	P1
Invert 4								
Invert 5								
Invert 6								
Invert 7								
Invert 8								



Default - Interior Dimensions



Submittal Drawing
 10/14/2025 8:12:54 AM

SUBMITTAL
 APPROVED BY: