

Job Name: 25-3292 Arbor View Sec. 2
Job Location: Eminence, KY
Contractor: Core & Main LP (Lou)

PC: J.Jarvis
 TECH: C.Russ
 Plant: Beaver Dam



Structure ID: CBI-A5

Spec: Storm
 Type: BX 8inW, 8inF
 Size: 24" x 36"

Rim: 887.79'
 Invert: 883.16'
 Rim to Invert: 4.63'

Sump: 0"
 Floor (Top): 883.16'
 Floor Height: 8"

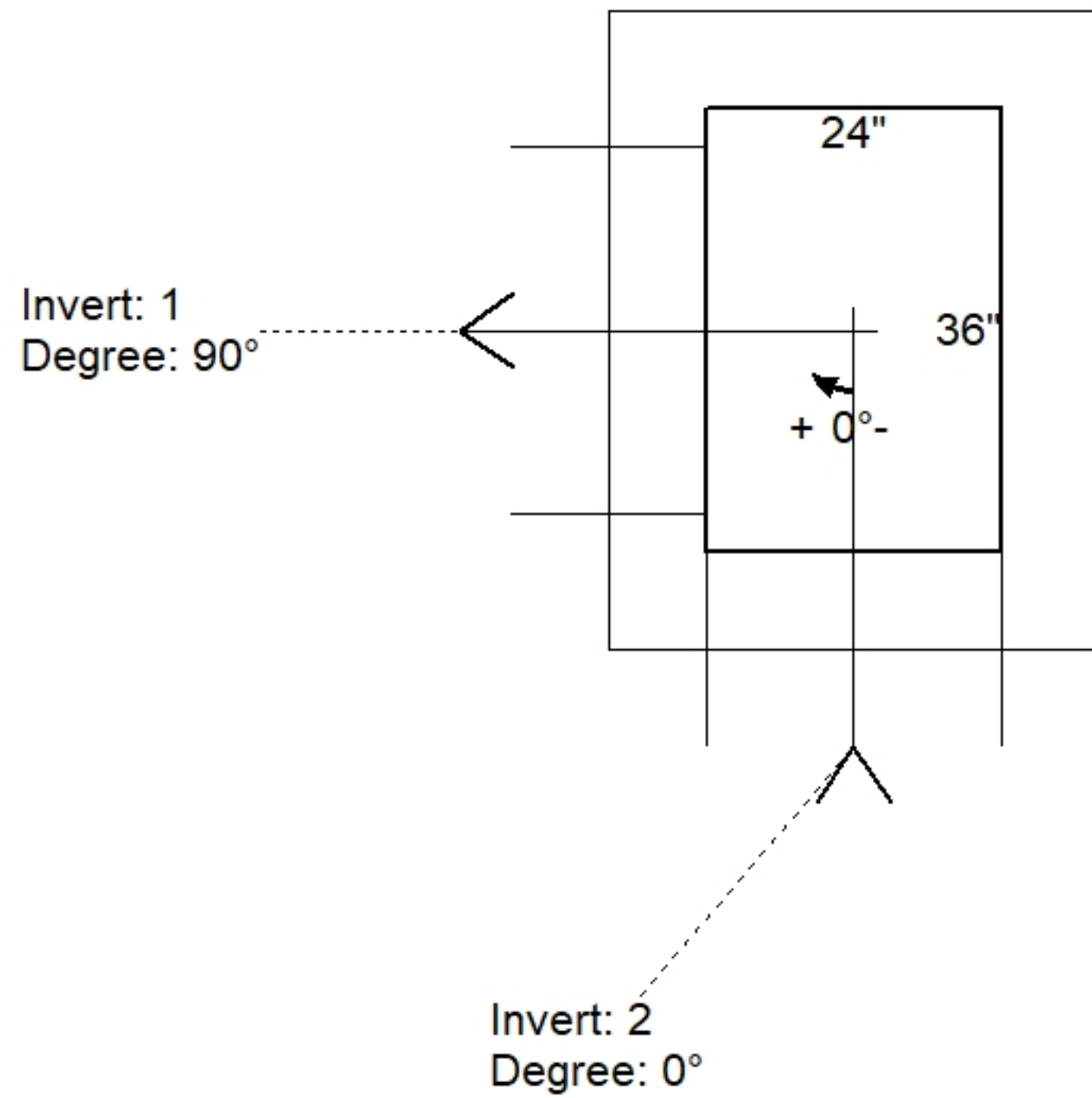
Floor (Bot): 882.493'
 Overall Height: 5.25'
 Slack: 0.56"

Structure Notes:

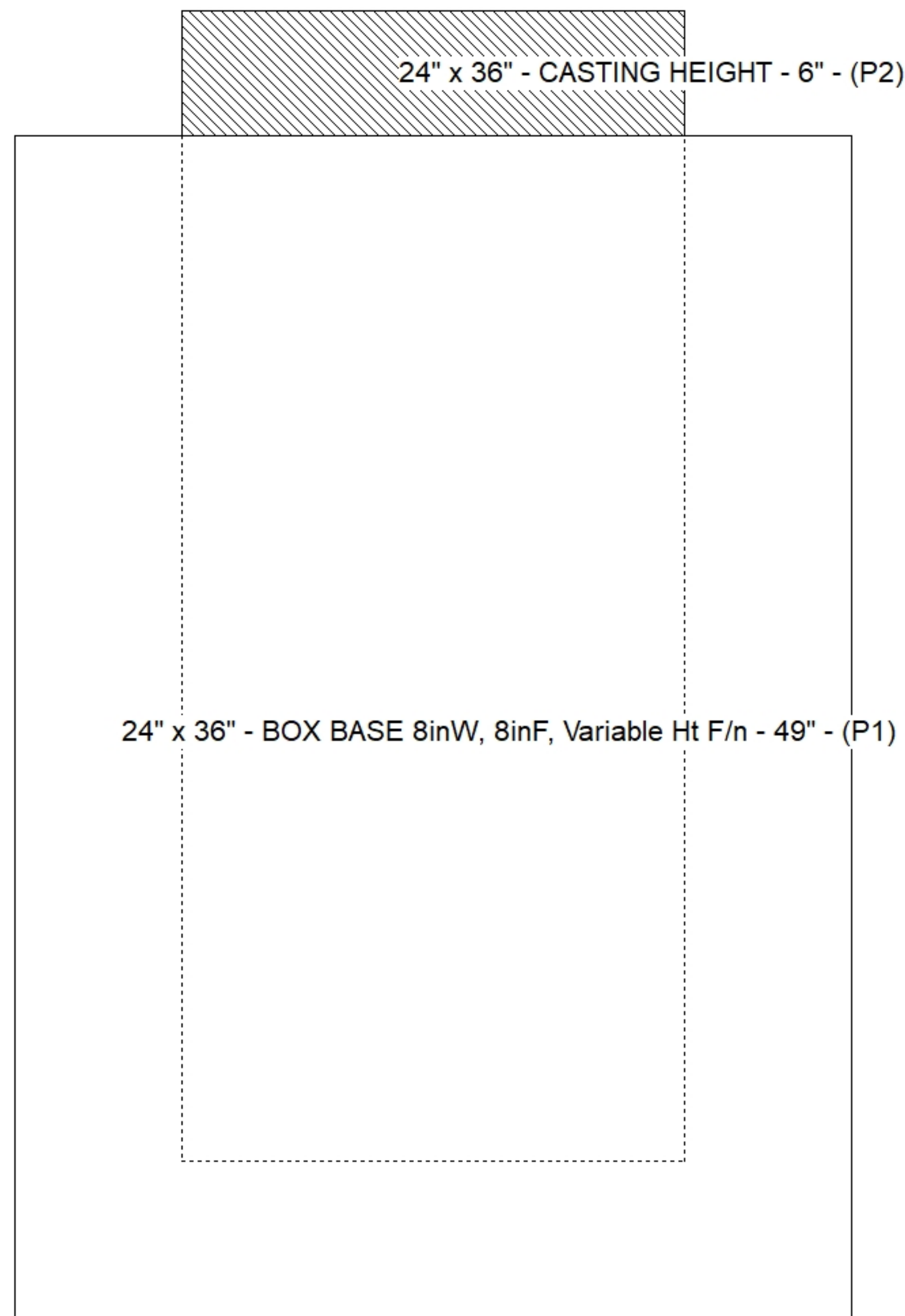
1. PER ASTM C913 SPECIFICATIONS.
2. CONCRETE = 4,000 PSI AT 28 DAYS.
3. NO INVERT CHANNEL.
4. HOE 525 BY ICAST
5. REINFORCING PER ASTM A615 (GRADE 60).
 - WALLS (As .12) #5 BARS AT 12" C.C.E.W.
 - FLOOR (As .12) #5 BARS AT 12" C.C.E.W.

STRUCTURE SUMMARY:

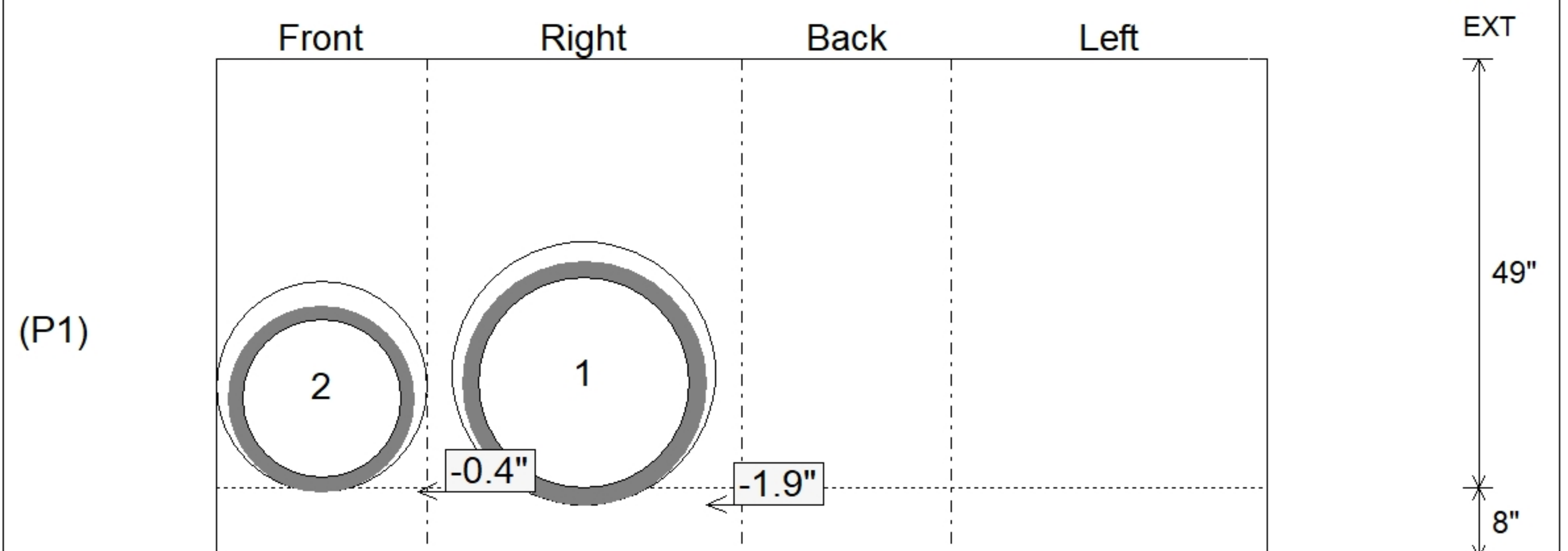
P2) 24" x 36" - CASTING HEIGHT - 6"	0 lb
P1) 24" x 36" - BOX BASE 8inW, 8inF, Variable Ht F/n - 49"	5694 lb
1) CASTING - HOE 525 LV SET (F/G/H)	442 lb
1) 24" x 36" - SGL 1"x14.5' Butyl	0 lb
1) Hole - 30	0 lb
1) Hole - 24	0 lb
Structure Total:	6136 lb



Position	Elev	Angle	Pipe	Pipe OD	Hole	Connector	Up ()	Ref
Rim	887.79'							
Reducer								
Invert 1	883.16'	90°	24" HDPE	27.8"	30"	Hole 30	-1.9"	P1
Invert 2	883.26'	0°	18" HDPE	21.2"	24"	Hole 24	-0.4"	P1
Invert 3								
Invert 4								
Invert 5								
Invert 6								
Invert 7								
Invert 8								



Default - Interior Dimensions



Submittal Drawing
 10/14/2025 8:12:53 AM

SUBMITTAL
 APPROVED BY: