

Structure ID: YI-B4

P1 BX2436-08BVF

BOX BASE 8inW, 8inF, Variable Ht F/n

P2) 24" x 36" - CASTING HEIGHT - 4" P1) 24" x 36" - BOX BASE 8inW, 8inF, Variable Ht F/n - 45" 1) CASTING - HOE 518 F/G 1) 24" x 36" - SGL 1"x14.5' Butyl 2) Hole - 24	0 lb 5456 lb 354 lb 0 lb 0 lb ----- Structure Total: 5810 lb
--	--

Structure Notes:

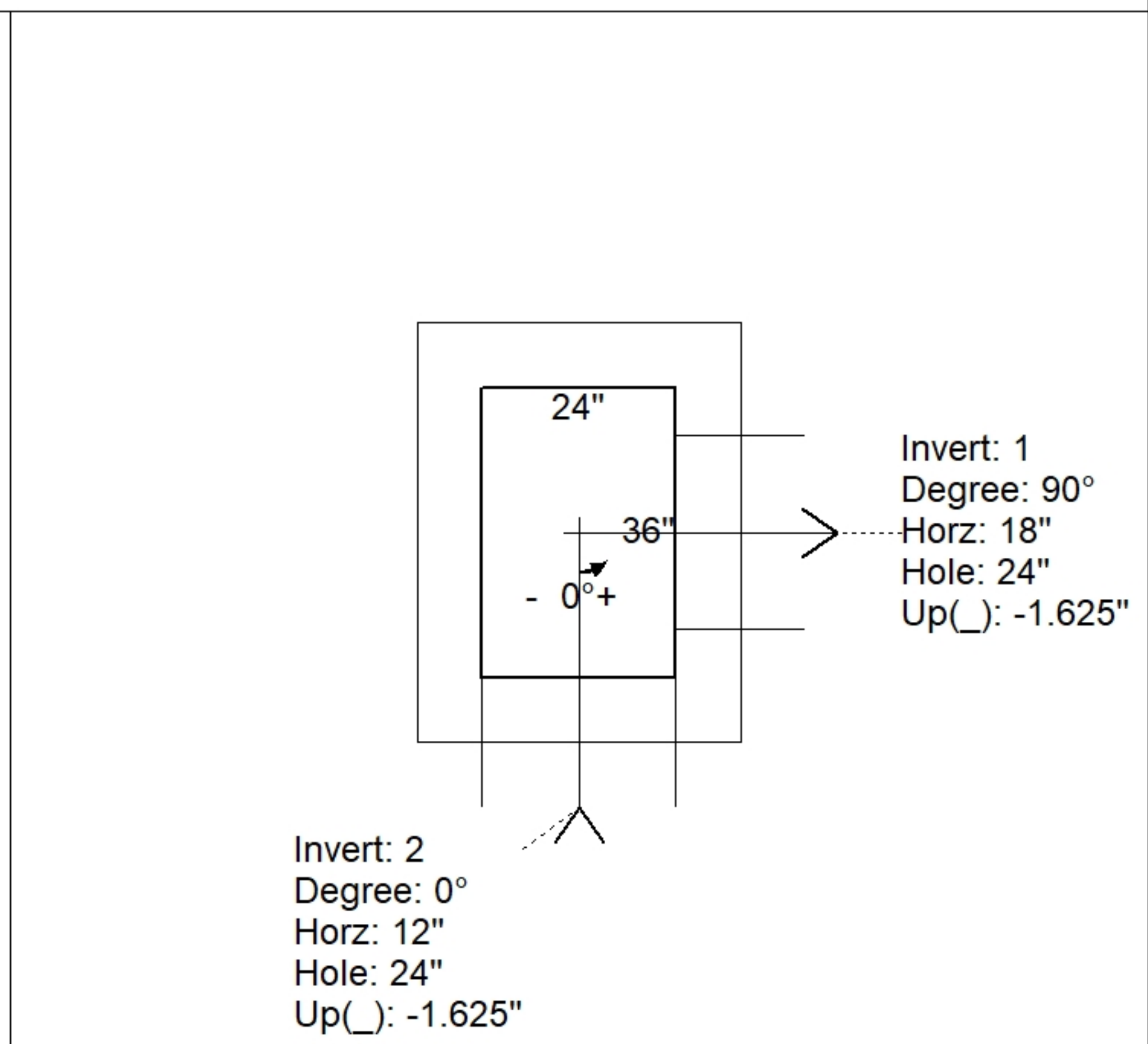
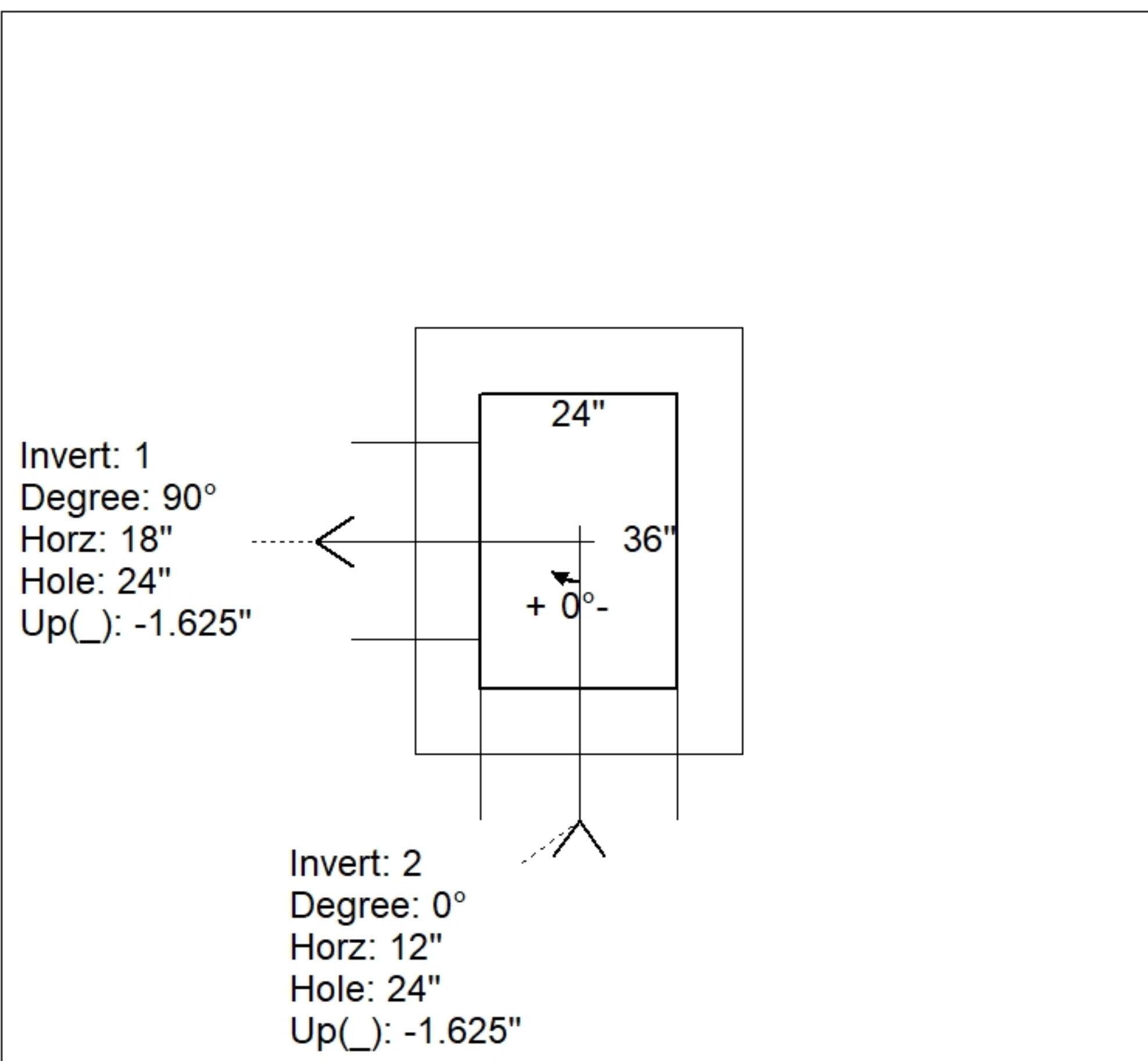
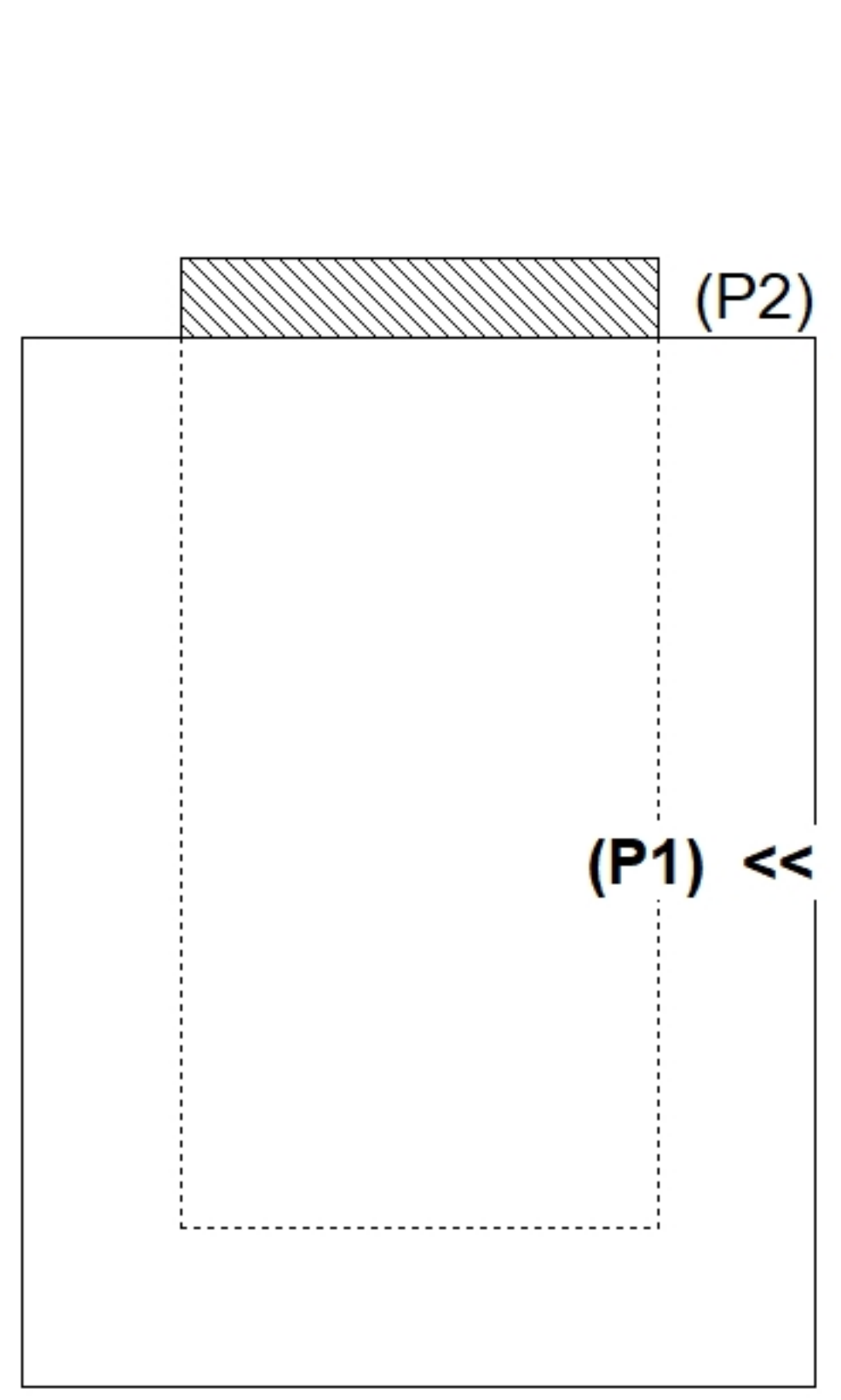
1. PER ASTM C913 SPECIFICATIONS.
2. CONCRETE = 4,000 PSI AT 28 DAYS.
3. NO INVERT CHANNEL.
4. HOE 518 F/G BY ICAST
5. REINFORCING PER ASTM A615 (GRADE 60).
 - WALLS (As .12) #5 BARS AT 12" C.C.E.W.
 - FLOOR (As .12) #5 BARS AT 12" C.C.E.W.

Rim: 902.37' Rim to Invert: 4.13' Slack: 0.56" Sump: 0" Step Position:

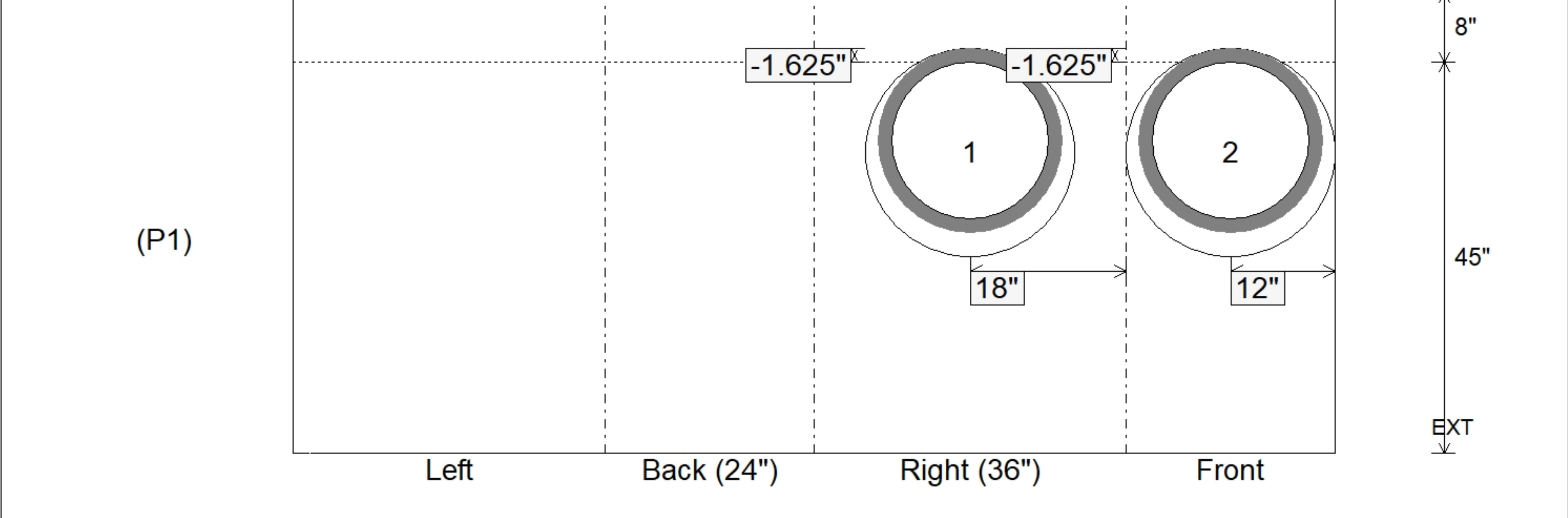
Position	Elev	Angle	Ext. (cw)	Pipe	Pipe OD	Connector	Hole	Horz Size	Up ()	Offset
Invert 1	898.24'	90°	26"	18" HDPE	21.2"	Hole 24	24"	24"	-1.625"	0"
Invert 2	898.24'	0°	20"	18" HDPE	21.2"	Hole 24	24"	24"	-1.625"	0"
Invert 3										
Invert 4										
Invert 5										
Invert 6										
Invert 7										
Invert 8										

RIGHT-SIDE UP VIEW (int. dimensions)

UPSIDE-DOWN VIEW (int. dimensions)



INSIDE WALL DIMENSIONS



Coating (Int): Coating (Ext):	Seam Up: Flat Seam Dn: n/a	Wall Thickness: 8" Floor Height: 8"	Height (Int): 45" Height (Ext): 53"	Weight (Net): 5456 lb Volume (Net): 1.39cu.yd
----------------------------------	-------------------------------	--	--	--