

Structure ID: YI-B3

P1 BX2436-08BVF

BOX BASE 8inW, 8inF, Variable Ht F/n

- P2) 24" x 36" - CASTING HEIGHT - 4"
- P1) 24" x 36" - BOX BASE 8inW, 8inF, Variable Ht F/n - 43"
- 1) CASTING - HOE 518 F/G
- 1) 24" x 36" - SGL 1"x14.5' Butyl
- 2) Hole - 24"

0 lb
 5252 lb
 354 lb
 0 lb
 0 lb

 Structure Total: 5606 lb

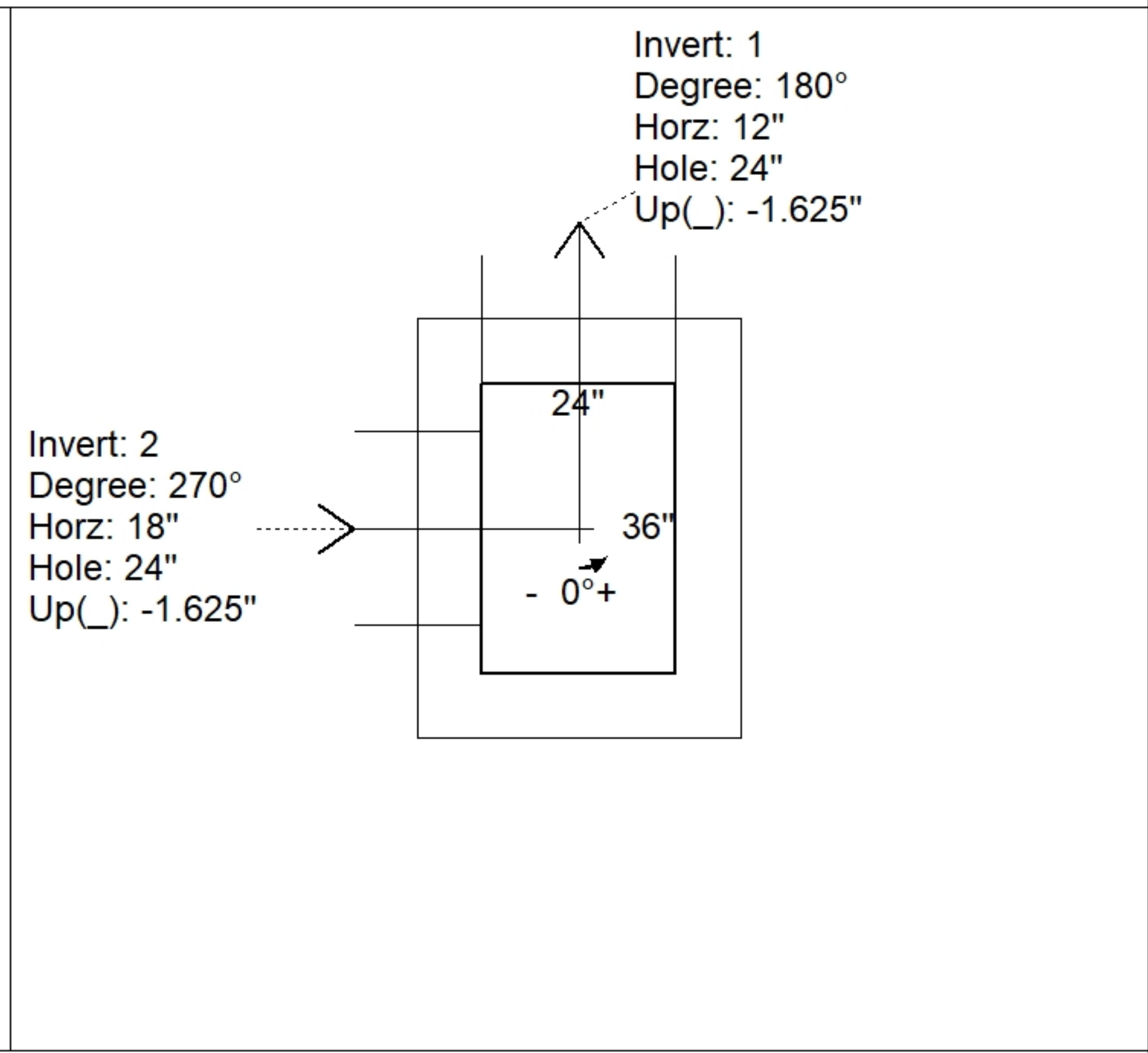
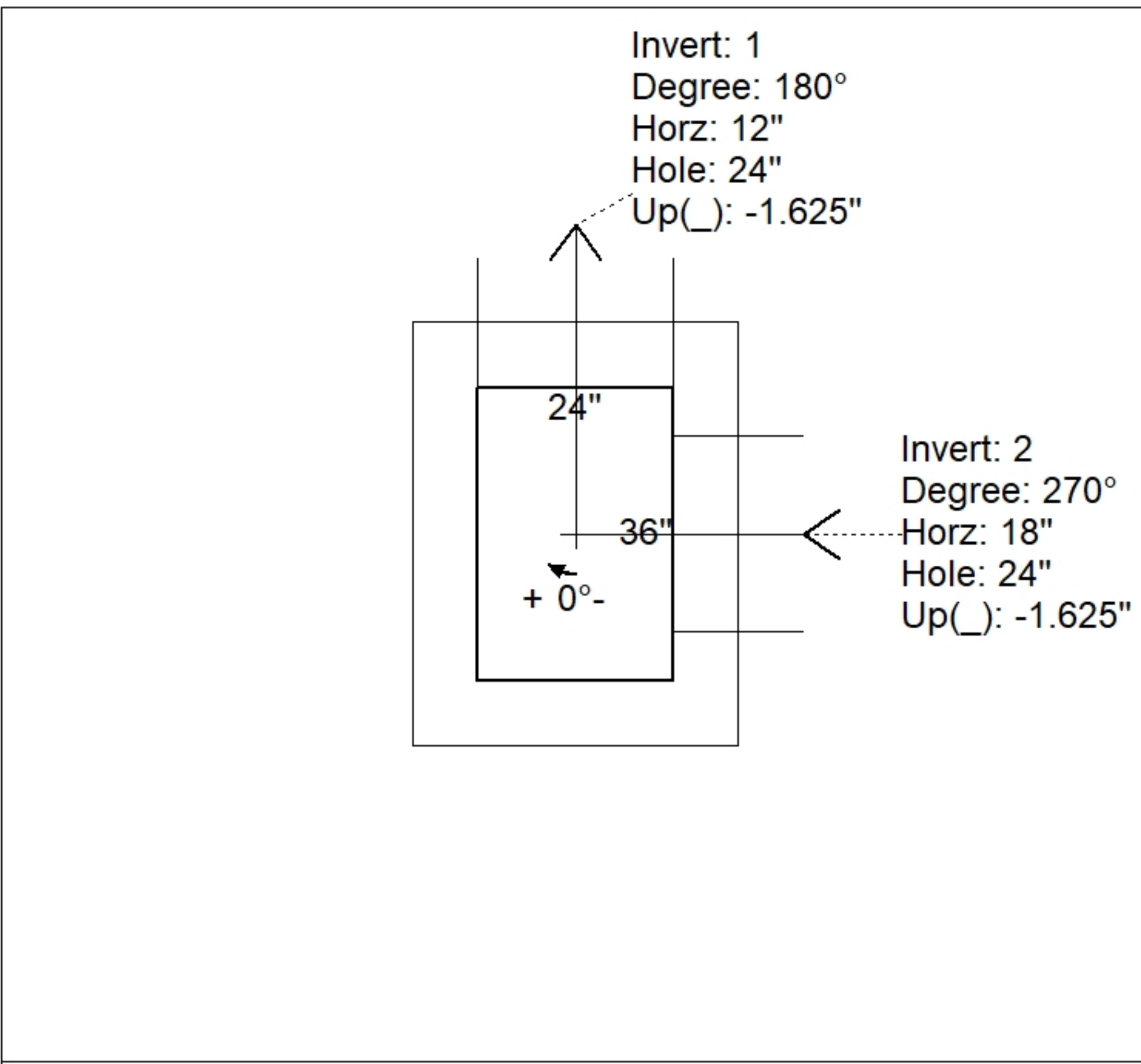
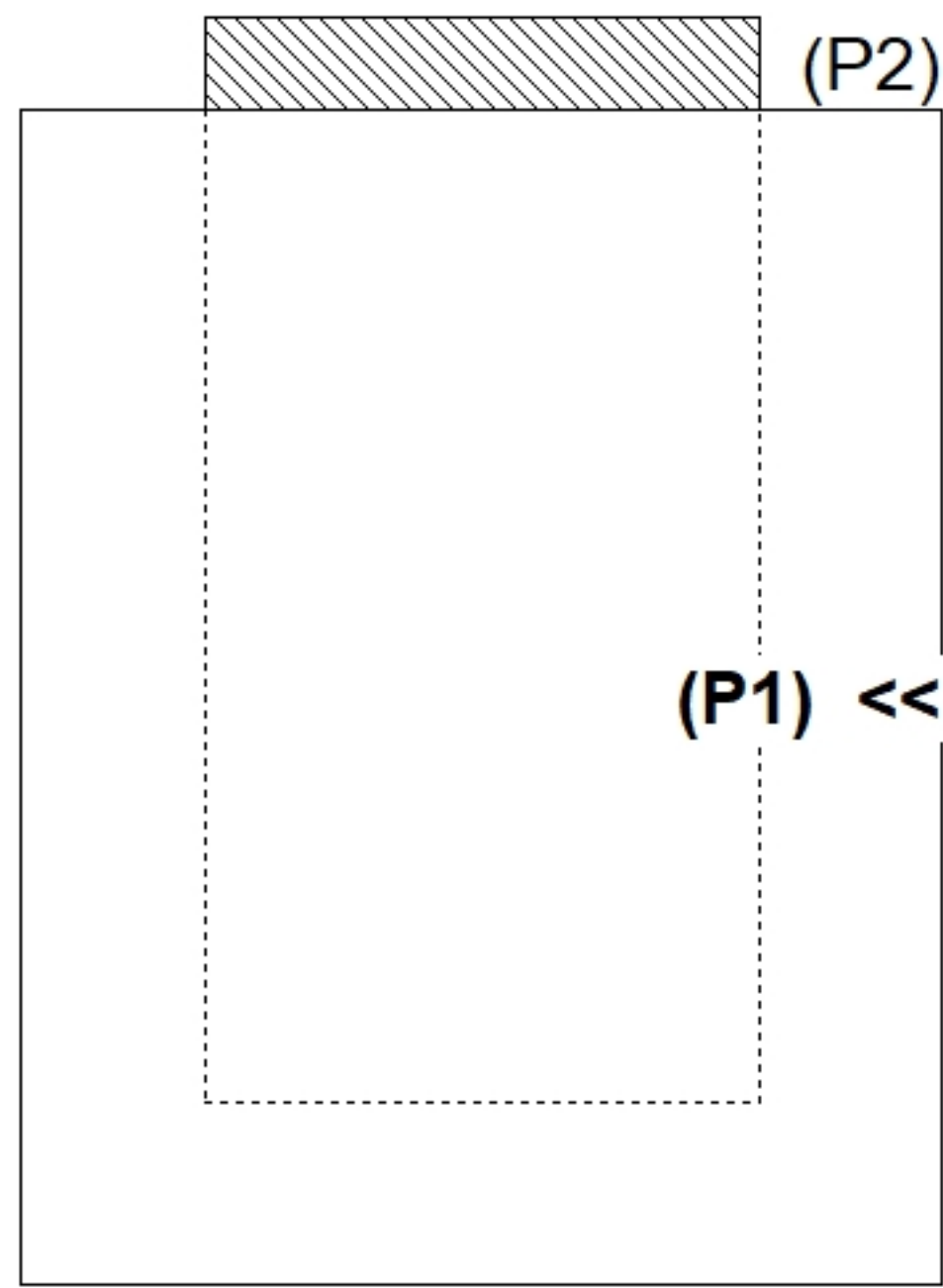
- Structure Notes:**
1. PER ASTM C913 SPECIFICATIONS.
 2. CONCRETE = 4,000 PSI AT 28 DAYS.
 3. NO INVERT CHANNEL.
 4. HOE 518 F/G BY ICAST
 5. REINFORCING PER ASTM A615 (GRADE 60).
 - WALLS (As .12) #5 BARS AT 12" C.C.E.W.
 - FLOOR (As .12) #5 BARS AT 12" C.C.E.W.

Rim: 911.35' Rim to Invert: 3.96' Slack: 0.52" Sump: 0" Step Position:

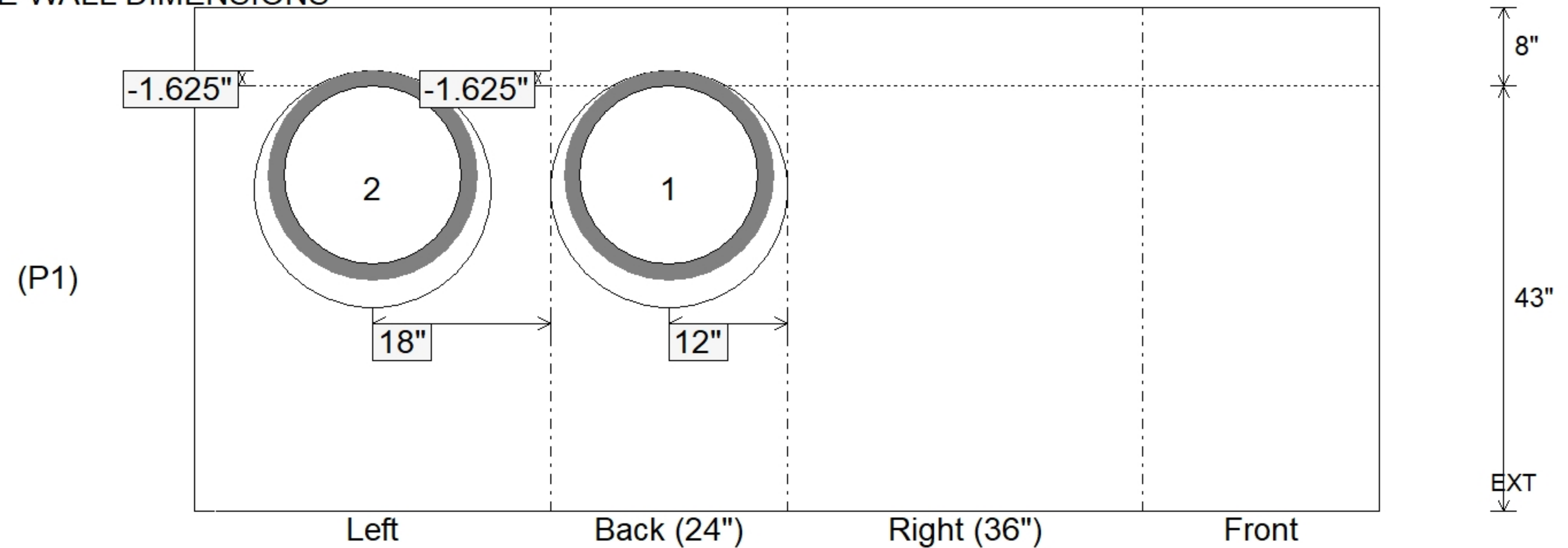
Position	Elev	Angle	Ext. (cw)	Pipe	Pipe OD	Connector	Hole	Horz Size	Up ()	Offset
Invert 1	907.39'	180°	20"	18" HDPE	21.2"	Hole 24	24"	24"	-1.625"	0"
Invert 2	907.39'	270°	26"	18" HDPE	21.2"	Hole 24	24"	24"	-1.625"	0"
Invert 3										
Invert 4										
Invert 5										
Invert 6										
Invert 7										
Invert 8										

RIGHT-SIDE UP VIEW (int. dimensions)

UPSIDE-DOWN VIEW (int. dimensions)



INSIDE WALL DIMENSIONS



Coating (Int):	Seam Up: Flat	Wall Thickness: 8"	Height (Int): 43"	Weight (Net): 5252 lb
Coating (Ext):	Seam Dn: n/a	Floor Height: 8"	Height (Ext): 51"	Volume (Net): 1.34cu.yd