

**Job Name: 25-3292 Arbor View Sec. 2**  
**Job Location: Eminence, KY**  
**Contractor: Core & Main LP (Lou)**

PC: J.Jarvis  
 TECH: C.Russ  
 Plant: Beaver Dam



Structure ID: YI-A3

Spec: Storm  
 Type: STM.MH (Recessed pipe)  
 Size: 48"

Rim: 897.3'  
 Invert: 890.19'  
 Rim to Invert: 7.11'

Sump: 0"  
 Floor (Top): 890.19'  
 Floor Height: 6"

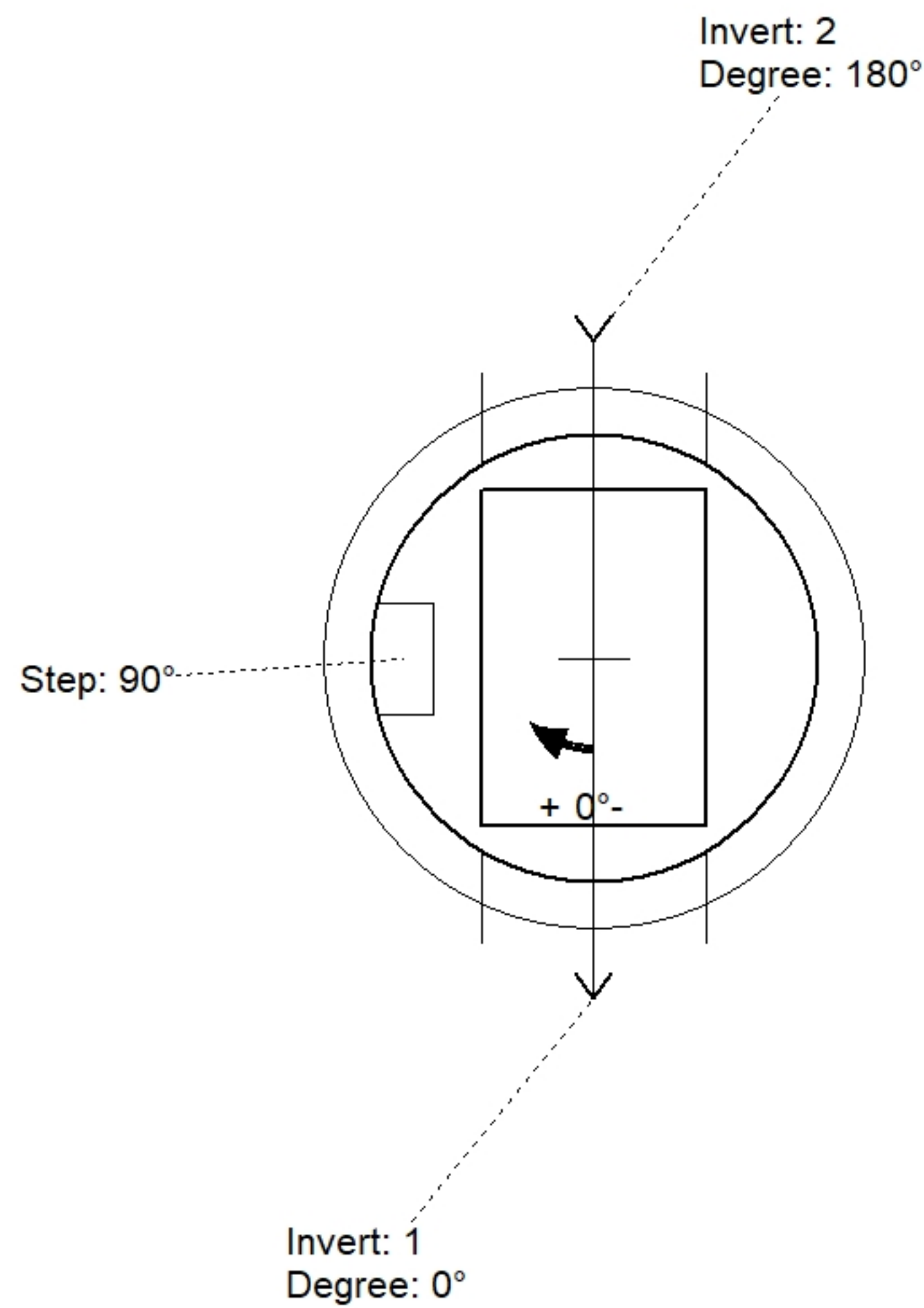
Floor (Bot): 889.69'  
 Overall Height: 7.583'  
 Slack: 0.32"

**Structure Notes:**

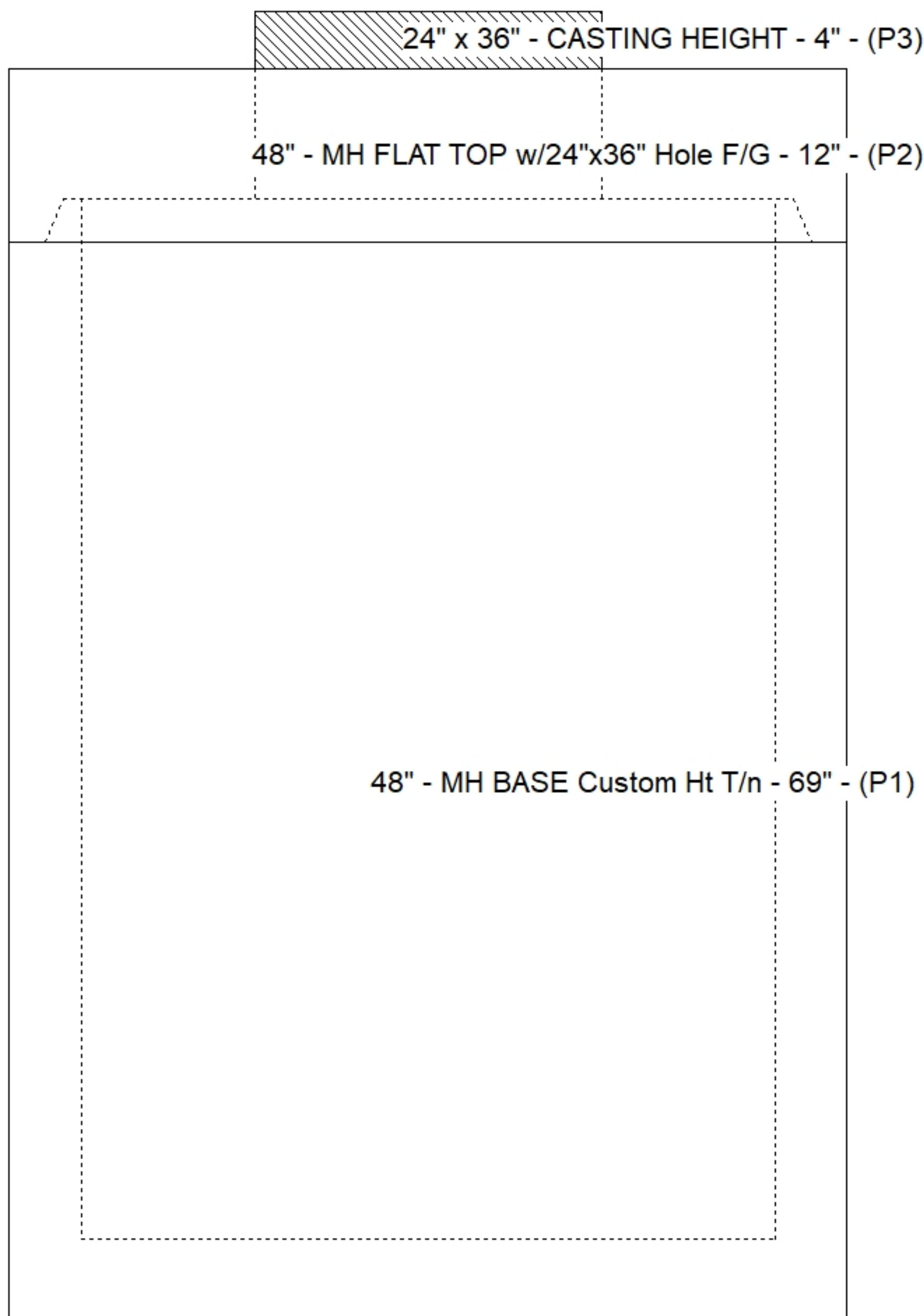
1. PER ASTM C478 SPECIFICATIONS.
2. CONCRETE = 4,000 PSI AT 28 DAYS.
3. HOE 518 F/G BY ICAST
4. REINFORCING PER ASTM A615 (GRADE 60).
  - TOP SLAB (As .62) #5 BARS AT 6" C.C.E.W..
  - RISER/WALLS (As .12)
  - FLOOR (As .31) #5 BARS AT 12" C.C.E.W.

**STRUCTURE SUMMARY:**

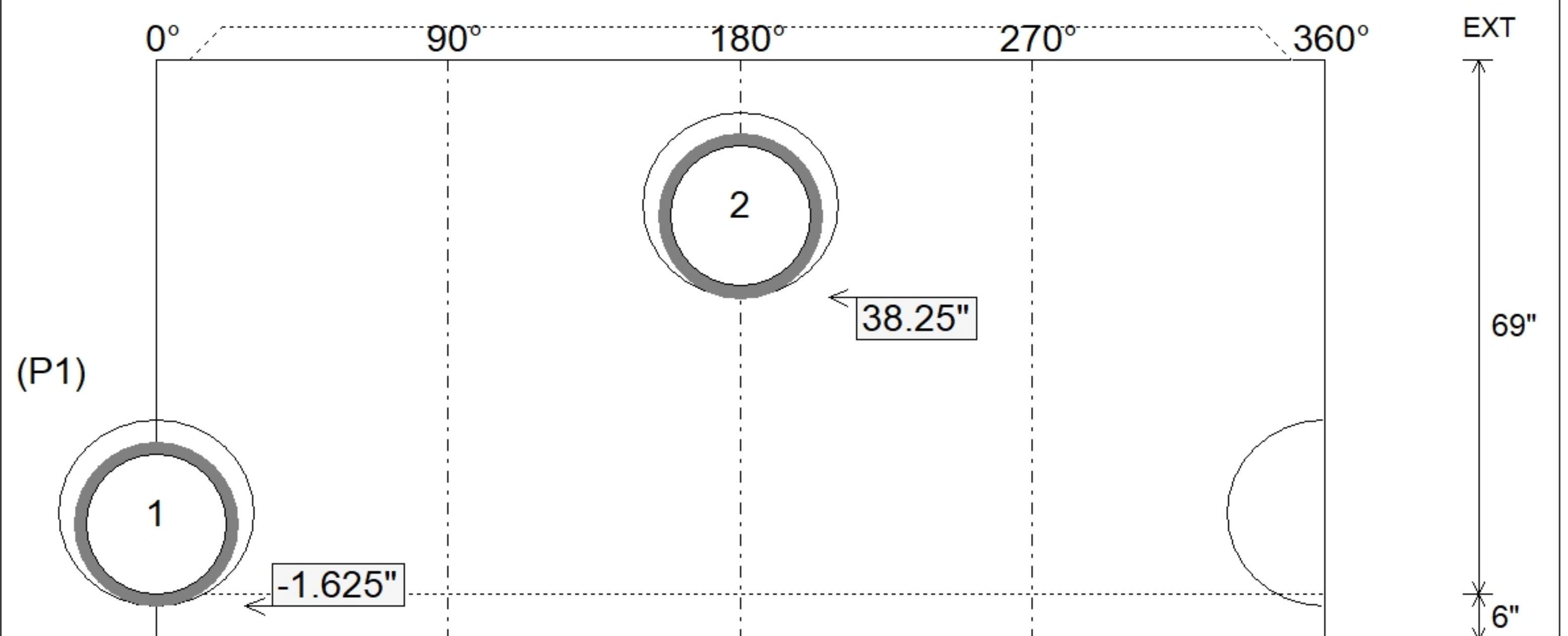
P3) 24" x 36" - CASTING HEIGHT - 4"	0 lb
P2) 48" - MH FLAT TOP w/24"x36" Hole F/G - 12"	1300 lb
P1) 48" - MH BASE Custom Ht T/n - 69"	5756 lb
1) CASTING - HOE 518 F/G	354 lb
1) 48" - SGL 1"x14.5' Butyl (2x)	0 lb
2) Hole - 24	0 lb
6) MH Step ML-10-TDS-NCR - 10"	0 lb
<b>Structure Total:</b>	<b>7410 lb</b>



Position	Elev	Angle	Pipe	Pipe OD	Hole	Connector	Up (L)	Ref
Rim	897.3'							
Reducer								
Invert 1	890.19'	0°	18" HDPE	21.2"	24"	Hole 24	-1.625"	P1
Invert 2	893.51'	180°	18" HDPE	21.2"	24"	Hole 24	38.25"	P1
Invert 3								
Invert 4								
Invert 5								
Invert 6								
Invert 7								
Invert 8								



**Cast (Int. Dim.) - Interior Dimensions**



Submittal Drawing  
 10/21/2025 9:20:59 AM

SUBMITTAL  
 APPROVED BY: