

Structure ID: YI-A3

P1 MH048BAVF

MH BASE Custom Ht T/n

P3) 24" x 36" - CASTING HEIGHT - 4" P2) 48" - MH FLAT TOP w/24"x36" Hole F/G - 12" P1) 48" - MH BASE Custom Ht T/n - 69" 1) CASTING - HOE 518 F/G 1) 48" - SGL 1"x14.5' Butyl (2x) 2) Hole - 24" 6) MH Step ML-10-TDS-NCR - 10"	0 lb 1300 lb 5756 lb 354 lb 0 lb 0 lb 0 lb ----- 7410 lb	Structure Notes: 1. PER ASTM C478 SPECIFICATIONS. 2. CONCRETE = 4,000 PSI AT 28 DAYS. 3. HOE 518 F/G BY ICAST 4. REINFORCING PER ASTM A615 (GRADE 60). - TOP SLAB (As .62) #5 BARS AT 6" C.C.E.W.. - RISER/WALLS (As .12) - FLOOR (As .31) #5 BARS AT 12" C.C.E.W.
---	--	--

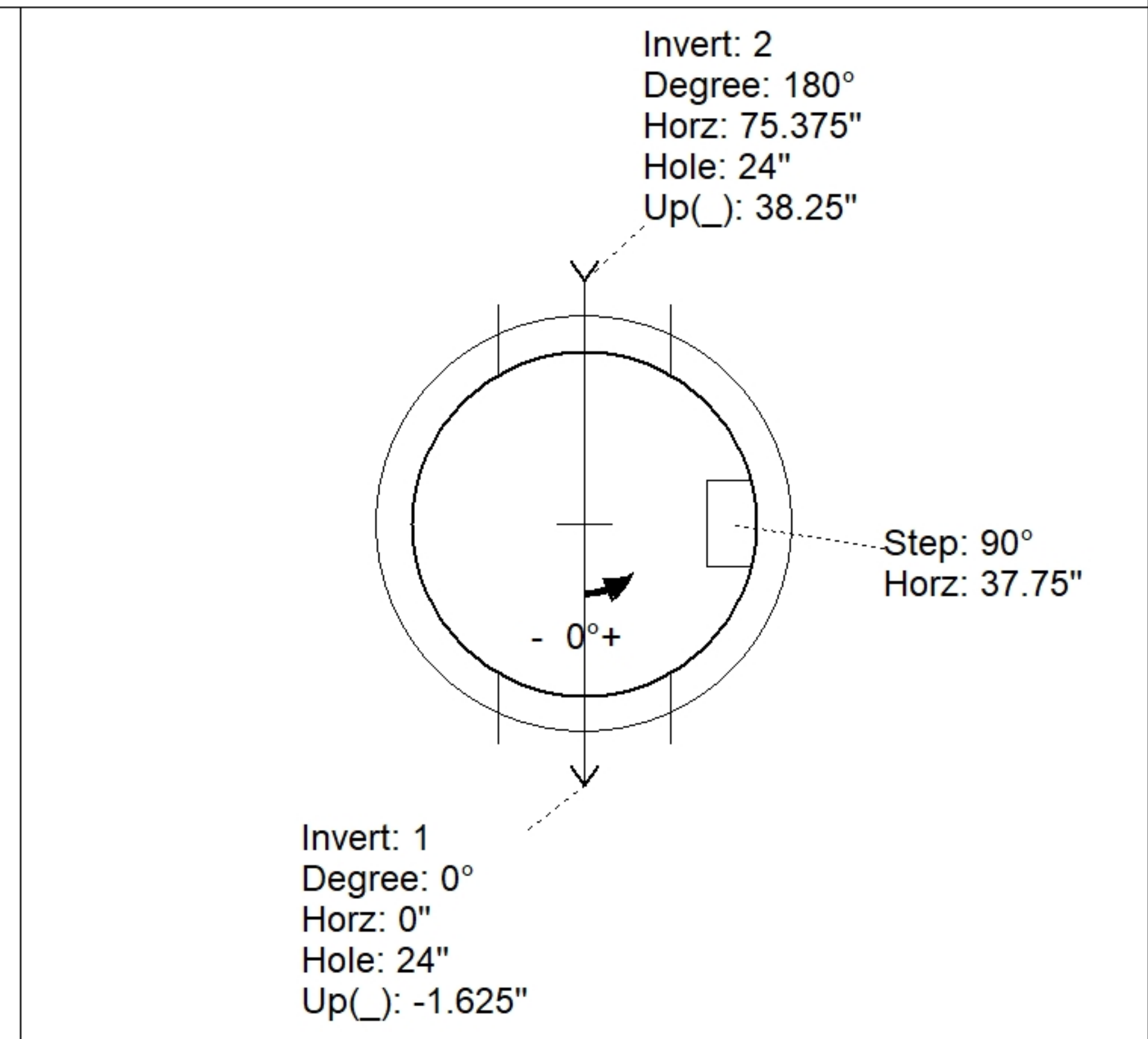
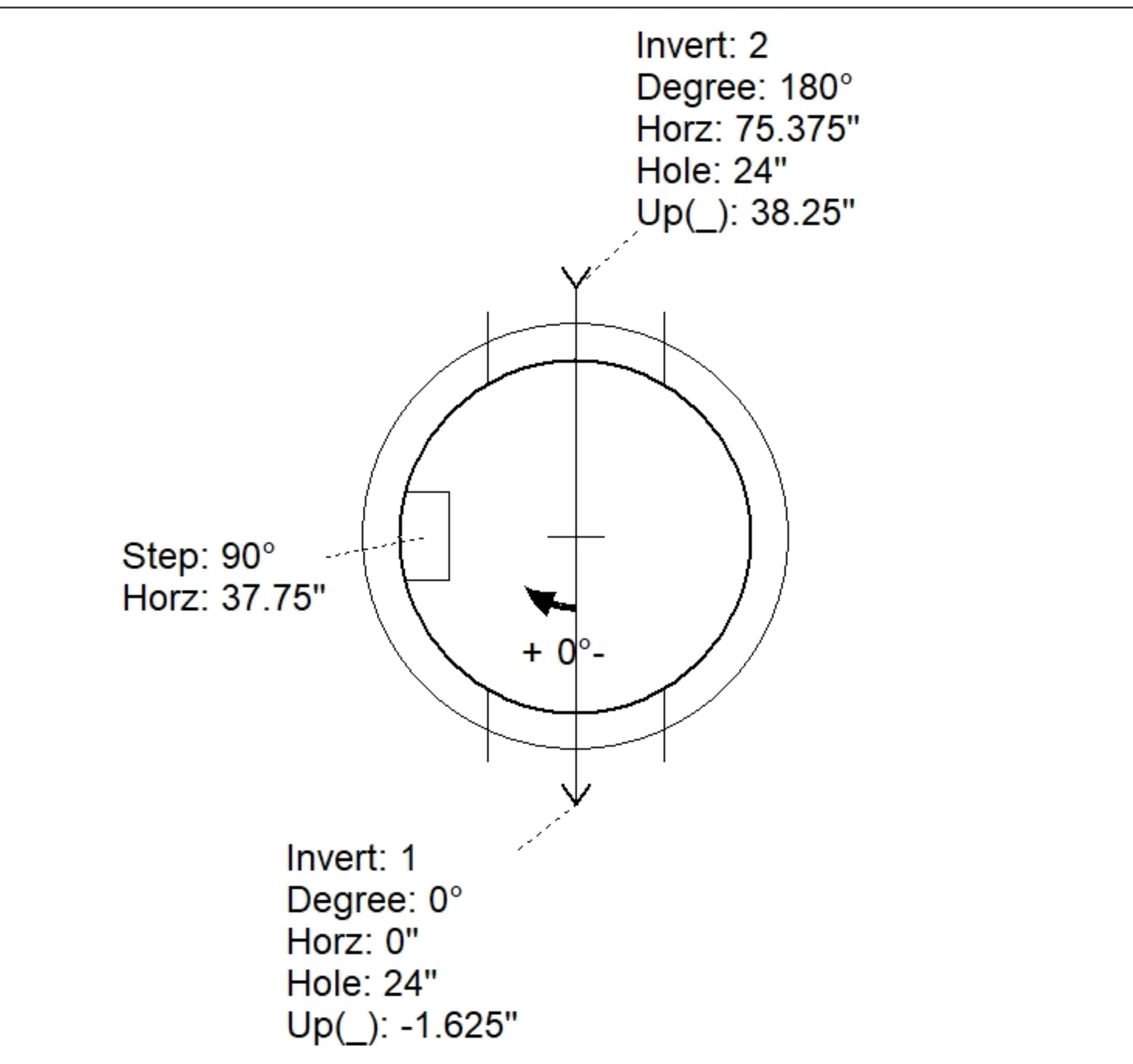
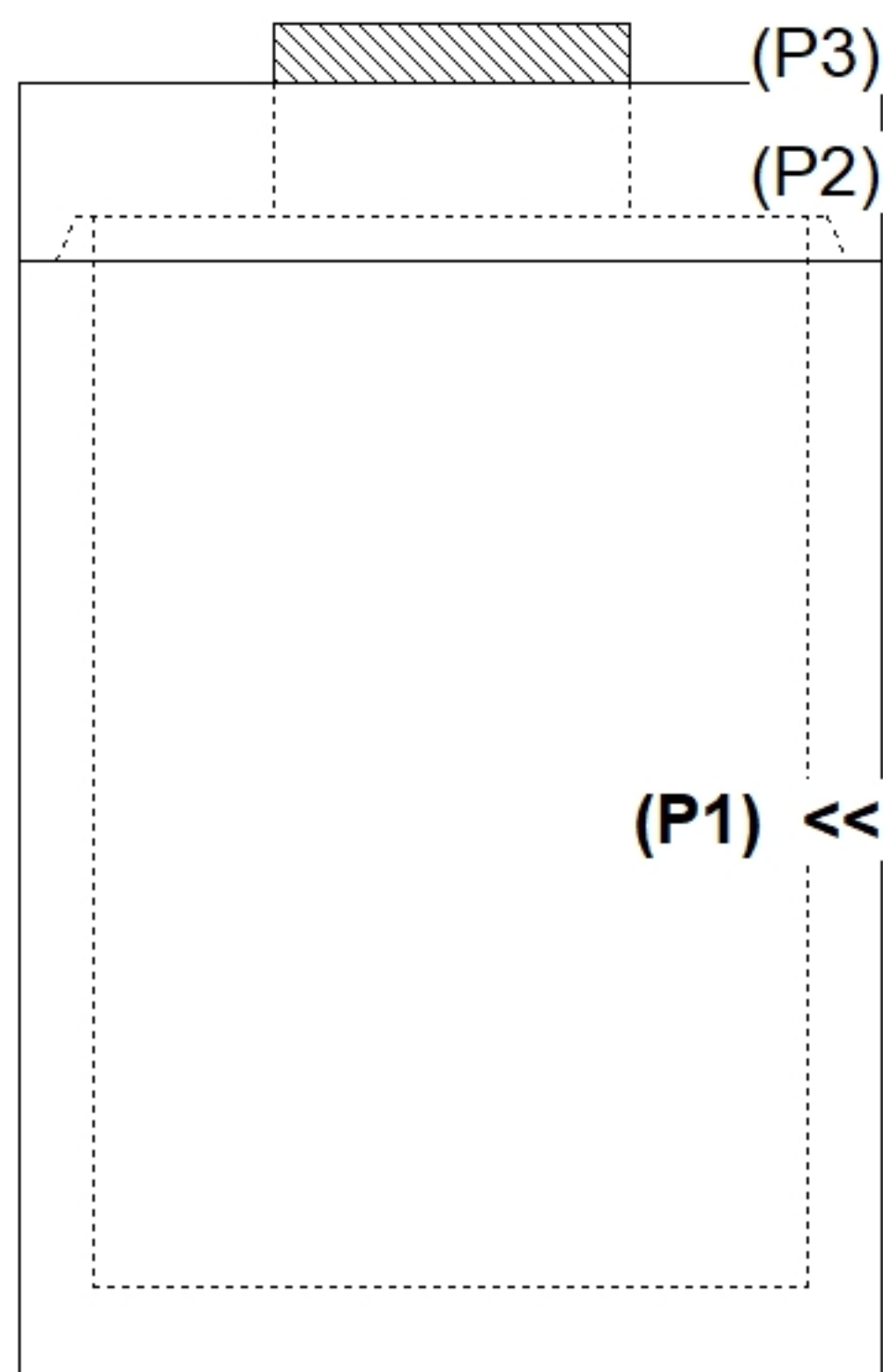
Structure Total: 7410 lb

Rim: 897.3' Rim to Invert: 7.11' Slack: 0.32" Sump: 0" Step Position: 90

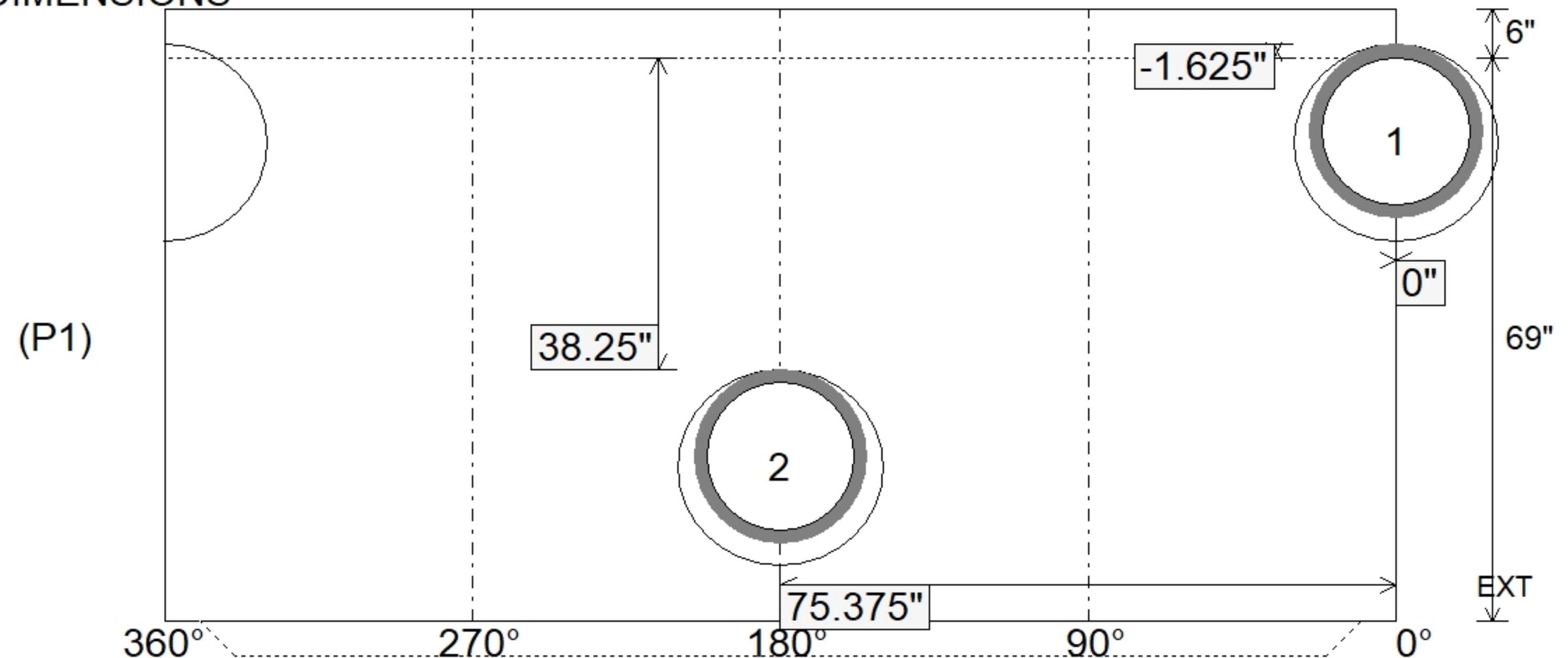
Position	Elev	Angle	Ext. (cw)	Pipe	Pipe OD	Connector	Hole	Horz Size	Up ()	Offset
Invert 1	890.19'	0°	0"	18" HDPE	21.2"	Hole 24	24"	25.133"	-1.625"	0"
Invert 2	893.51'	180°	91.125"	18" HDPE	21.2"	Hole 24	24"	25.133"	38.25"	0"
Invert 3										
Invert 4										
Invert 5										
Invert 6										
Invert 7										
Invert 8										

RIGHT-SIDE UP VIEW (int. dimensions)

UPSIDE-DOWN VIEW (int. dimensions)



INSIDE WALL DIMENSIONS



Coating (Int): Coating (Ext):	Seam Up: Tongue Seam Dn: n/a	Wall Thickness: 5" Floor Height: 6"	Height (Int): 69" Height (Ext): 75"	Weight (Net): 5756 lb Volume (Net): 1.47cu.yd
----------------------------------	---------------------------------	--	--	--