

Job Name: 25-3292 Arbor View Sec. 2
Job Location: Eminence, KY
Contractor: Core & Main LP (Lou)

PC: J.Jarvis
 TECH: C.Russ
 Plant: Beaver Dam



Structure ID: **SSMH G4**

Spec: Sanitary
 Type: SAN.MH
 Size: 48"

Rim: 899.06'
 Invert: 890.87'
 Rim to Invert: 8.19'

Sump: 2"
 Floor (Top): 890.703'
 Floor Height: 6"

Floor (Bot): 890.203'
 Overall Height: 8.833'
 Slack: 0.28"

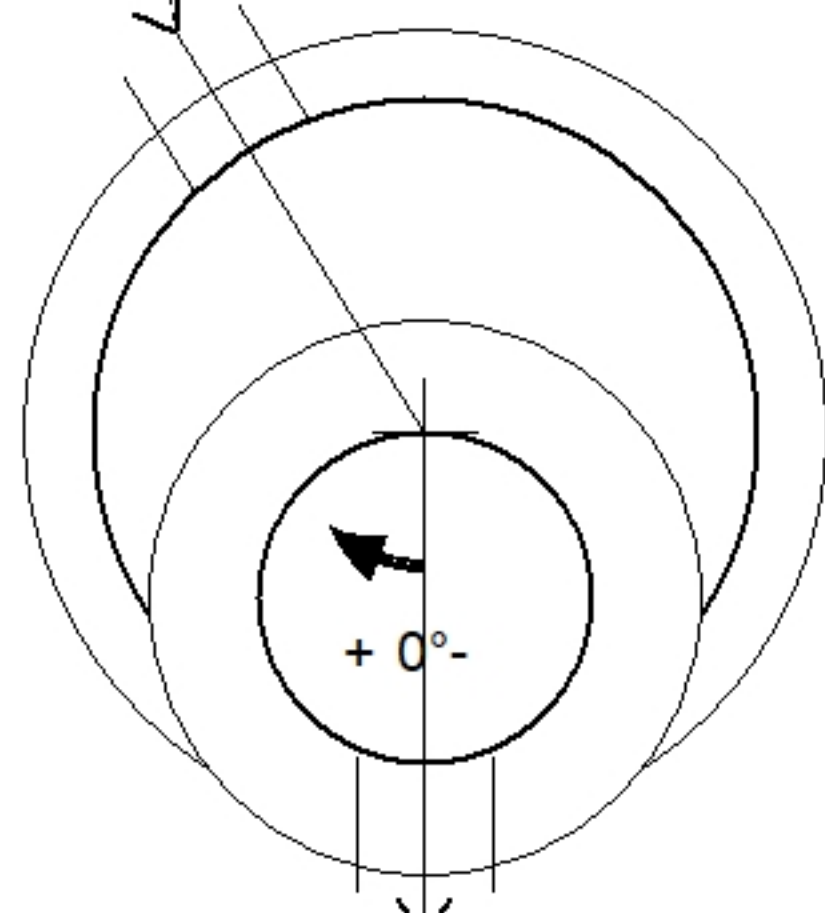
Structure Notes:

- PER ASTM C478 SPECIFICATIONS.
- CONCRETE = 4,000 PSI AT 28 DAYS.
- MC-315 "SANITARY" BY ICAST
- REINFORCING PER ASTM A615 (GRADE 60).
 - CONE (As .12)
 - RISER/WALLS (As .12)
 - FLOOR (As .31) #5 BARS AT 12" C.C.E.W.
- NO STEPS

STRUCTURE SUMMARY:

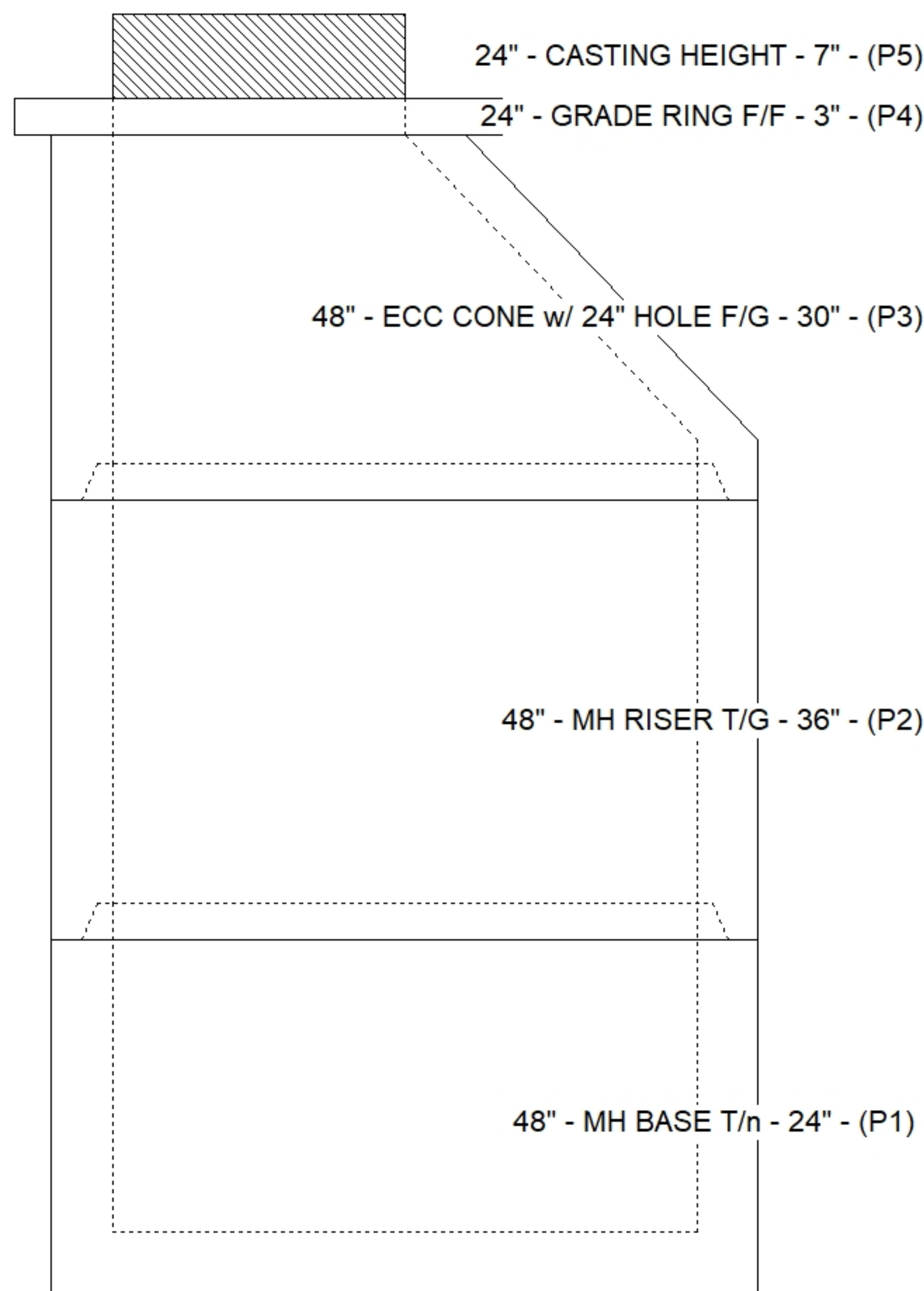
P5) 24" - CASTING HEIGHT - 7"	0 lb
P4) 24" - GRADE RING F/F - 3"	202 lb
P3) 48" - ECC CONE w/ 24" HOLE F/G - 30"	2050 lb
P2) 48" - MH RISER T/G - 36"	2515 lb
P1) 48" - MH BASE T/n - 24"	2944 lb
1) 48" - MH INVERT CHANNEL - FULL HEIGHT	1440 lb
1) JOINT WRAP - 0.065"x6"x50' CONSEAL CS212	0 lb
1) JOINT WRAP PRIMER - CONSEAL CS-75 (1 gal.)	0 lb
1) CASTING - HOE MC-315 F/C Sanitary	258 lb
2) 48" - DBL 1"x14.5' Butyl (2x)	0 lb
2) A-Lok - 0285	2 lb
Structure Total:	9411 lb

Invert: 2
 Degree: 148°

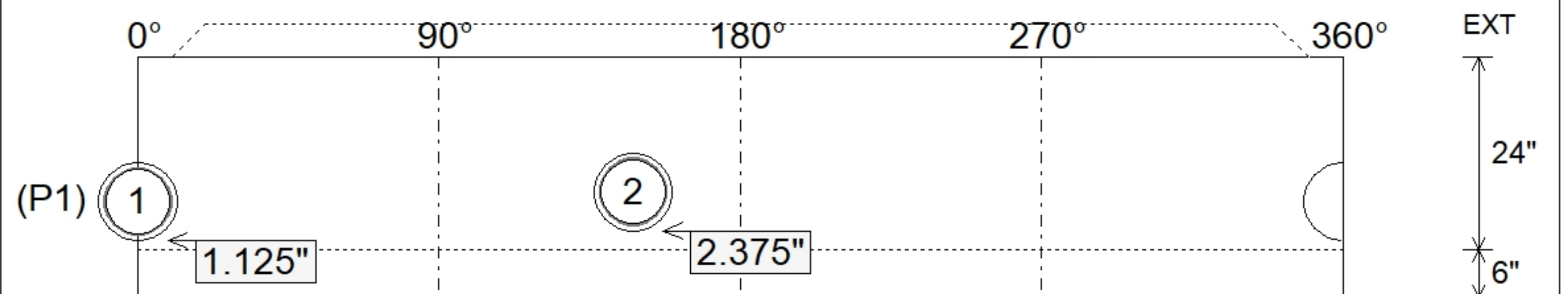


Invert: 1
 Degree: 0°

Position	Elev	Angle	Pipe	Pipe OD	Hole	Connector	Up (")	Ref
Rim	899.06'							
Reducer								
Invert 1	890.87'	0°	8" PVC SDR35	8.5"	9.75"	A-Lok 0285	1.125"	P1
Invert 2	890.97'	148°	8" PVC SDR35	8.5"	9.75"	A-Lok 0285	2.375"	P1
Invert 3								
Invert 4								
Invert 5								
Invert 6								
Invert 7								
Invert 8								



Cast (Int. Dim.) - Interior Dimensions



Submittal Drawing
 10/21/2025 9:21:03 AM

SUBMITTAL
 APPROVED BY: