

| | | | |
|-------------------------------------|-----------------------|--------------|--|
| Job Name: 25-3292 Arbor View Sec. 2 | Plant: Beaver Dam | Tech: C.Russ |  |
| Job Location: Eminence, KY | 10/21/2025 9:22:29 AM | PC: J.Jarvis | |
| Contractor: Core & Main LP (Lou) | | | |

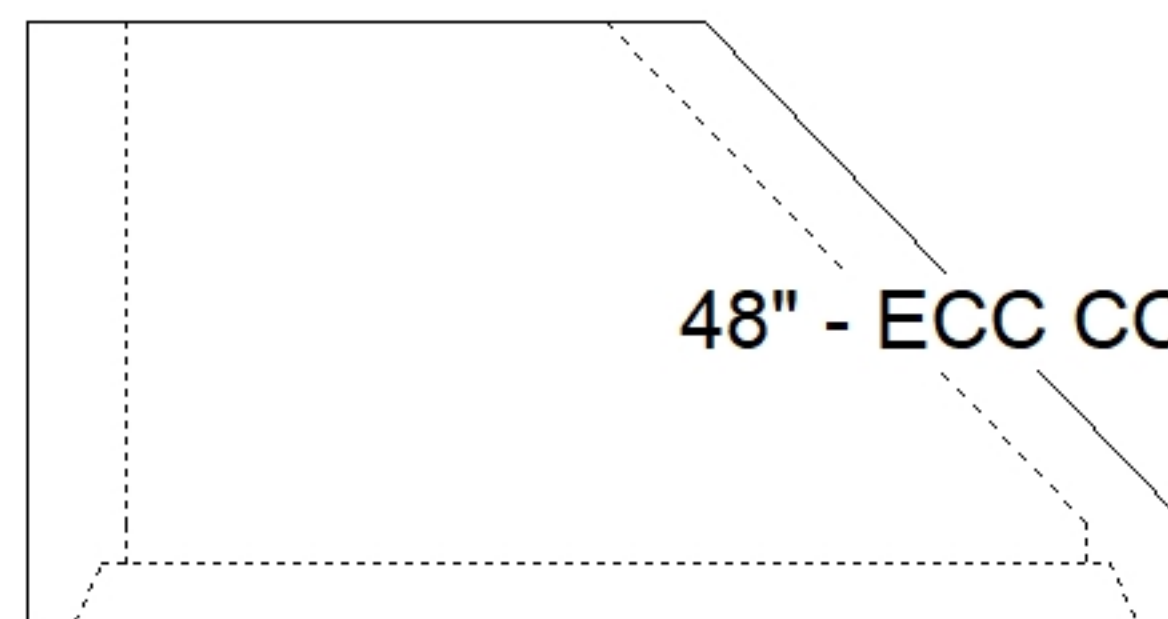
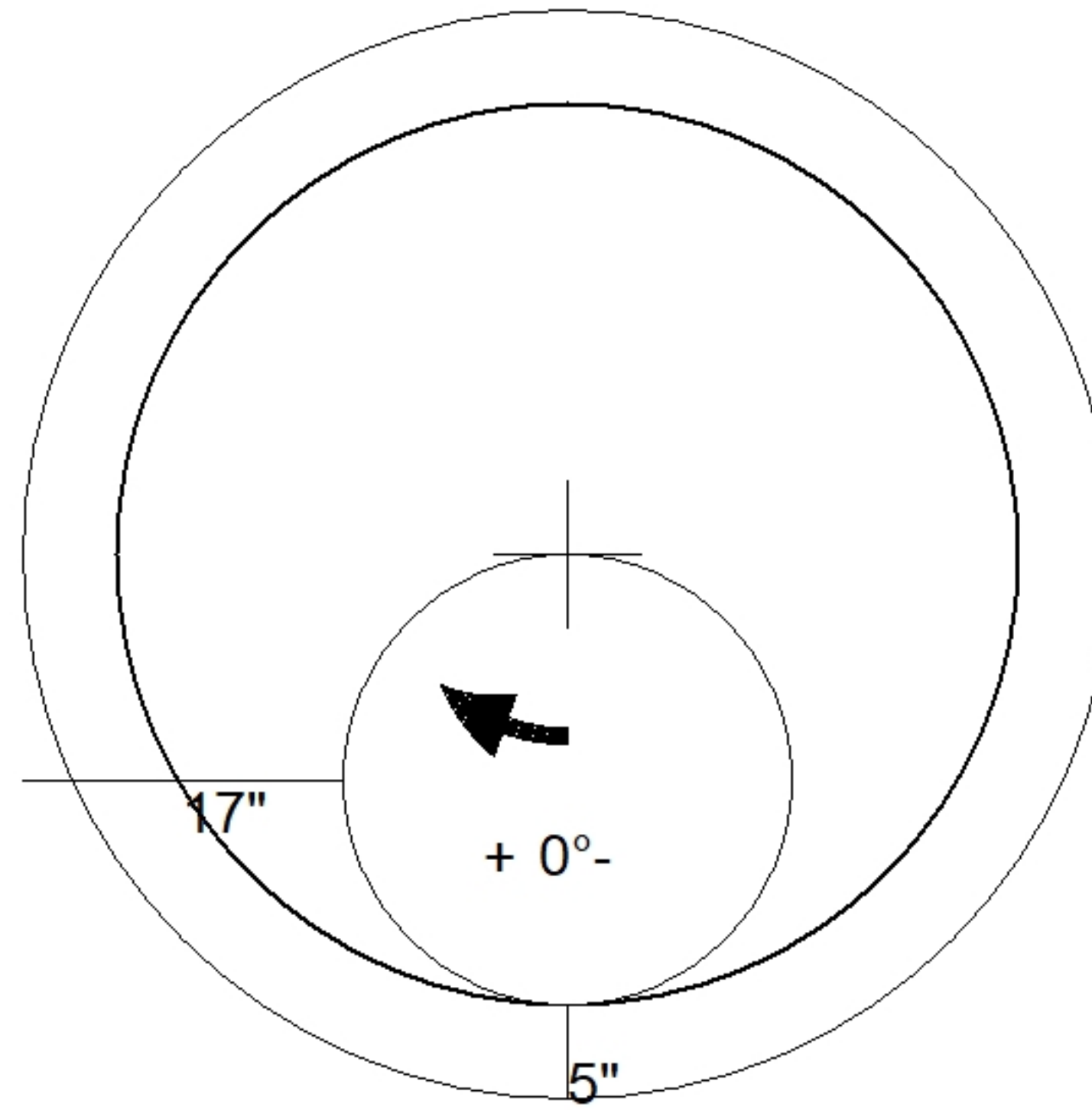
Structure ID: SSMH G4

P3 MH048CN30

ECC CONE w/ 24" HOLE F/G

| | |
|---|----------------|
| P5) 24" - CASTING HEIGHT - 7" | 0 lb |
| P4) 24" - GRADE RING F/F - 3" | 202 lb |
| P3) 48" - ECC CONE w/ 24" HOLE F/G - 30" | 2050 lb |
| P2) 48" - MH RISER T/G - 36" | 2515 lb |
| P1) 48" - MH BASE T/n - 24" | 2944 lb |
| 1) 48" - MH INVERT CHANNEL - FULL HEIGHT | 1440 lb |
| 1) JOINT WRAP - 0.065"x6"x50' CONSEAL CS212 | 0 lb |
| 1) JOINT WRAP PRIMER - CONSEAL CS-75 (1 gal.) | 0 lb |
| 1) CASTING - HOE MC-315 F/C Sanitary | 258 lb |
| 2) 48" - DBL 1"x14.5' Butyl (2x) | 0 lb |
| 2) A-Lok - 0285 | 2 lb |
| Structure Total: | 9411 lb |

- Structure Notes:**
1. PER ASTM C478 SPECIFICATIONS.
 2. CONCRETE = 4,000 PSI AT 28 DAYS.
 3. MC-315 "SANITARY" BY ICAST
 4. REINFORCING PER ASTM A615 (GRADE 60).
 - CONE (As .12)
 - RISER/WALLS (As .12)
 - FLOOR (As .31) #5 BARS AT 12" C.C.E.W.
 5. NO STEPS



48" - ECC CONE w/ 24" HOLE F/G - 30" - (P3)

| | | | | |
|----------------|-----------------|--------------------|-------------------|-------------------------|
| Coating (Int): | Seam Up: Flat | Wall Thickness: 5" | Height (Ext): 30" | Weight (Net): 2050 lb |
| Coating (Ext): | Seam Dn: Groove | | | Volume (Net): 0.41cu.yd |