

|                                     |                       |              |  |
|-------------------------------------|-----------------------|--------------|--|
| Job Name: 25-3292 Arbor View Sec. 2 | Plant: Beaver Dam     | Tech: C.Russ |  |
| Job Location: Eminence, KY          | 10/21/2025 9:21:26 AM | PC: J.Jarvis |  |
| Contractor: Core & Main LP (Lou)    |                       |              |  |

**Structure ID: SSMH G1**

**P1 MH048BA36**

**MH BASE T/n**

|   |                |
|---|----------------|
| P4) 24" - CASTING HEIGHT - 7"                   | 0 lb           |
| P3) 24" - GRADE RING F/F - 3"                   | 202 lb         |
| P2) 48" - MH FLAT TOP w/ 24" ECC Hole F/G - 12" | 1561 lb        |
| P1) 48" - MH BASE T/n - 36"                     | 3779 lb        |
| 1) 48" - MH INVERT CHANNEL - FULL HEIGHT        | 1440 lb        |
| 1) JOINT WRAP - 0.065"x6"x50' CONSEAL CS212     | 0 lb           |
| 1) JOINT WRAP PRIMER - CONSEAL CS-75 (1 gal.)   | 0 lb           |
| 1) CASTING - HOE MC-315 F/C Sanitary            | 258 lb         |
| 1) 48" - DBL 1"x14.5' Butyl (2x)                | 0 lb           |
| 1) A-Lok - 0285                                 | 1 lb           |
| 2) A-Lok - 0210                                 | 2 lb           |
| <b>Structure Total:</b>                         | <b>7243 lb</b> |

**Structure Notes:**

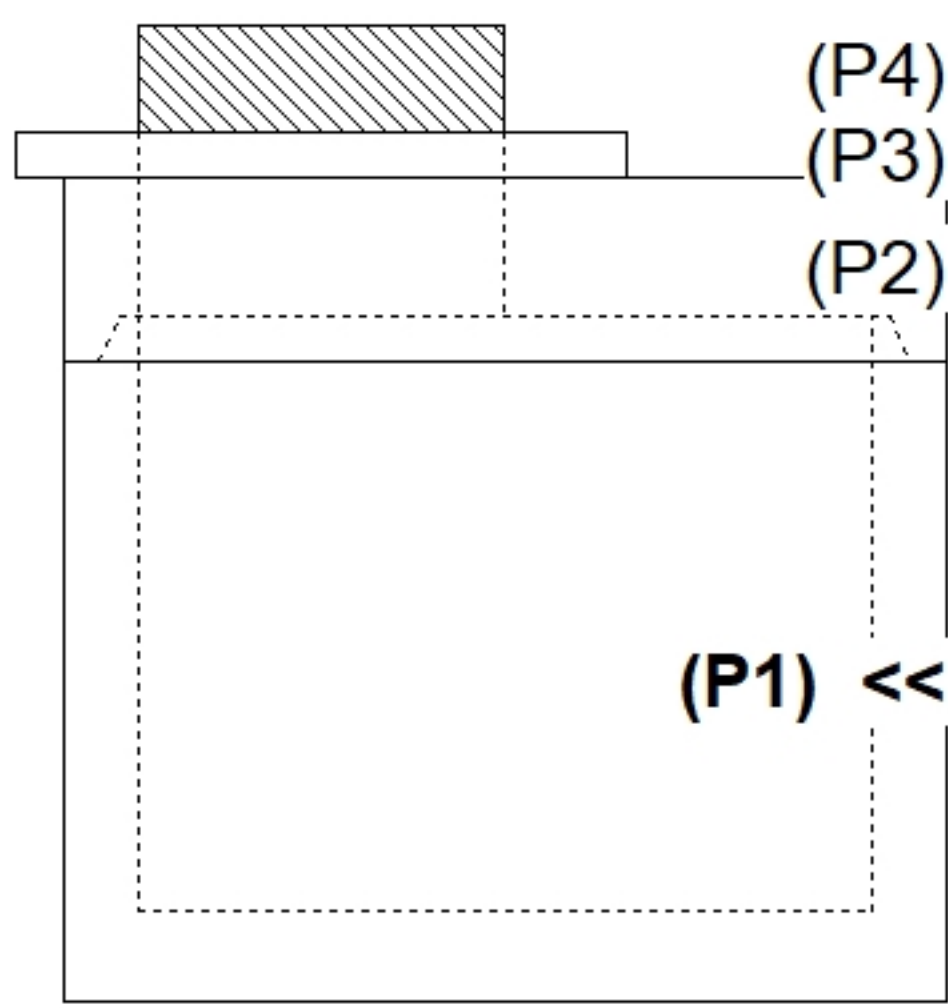
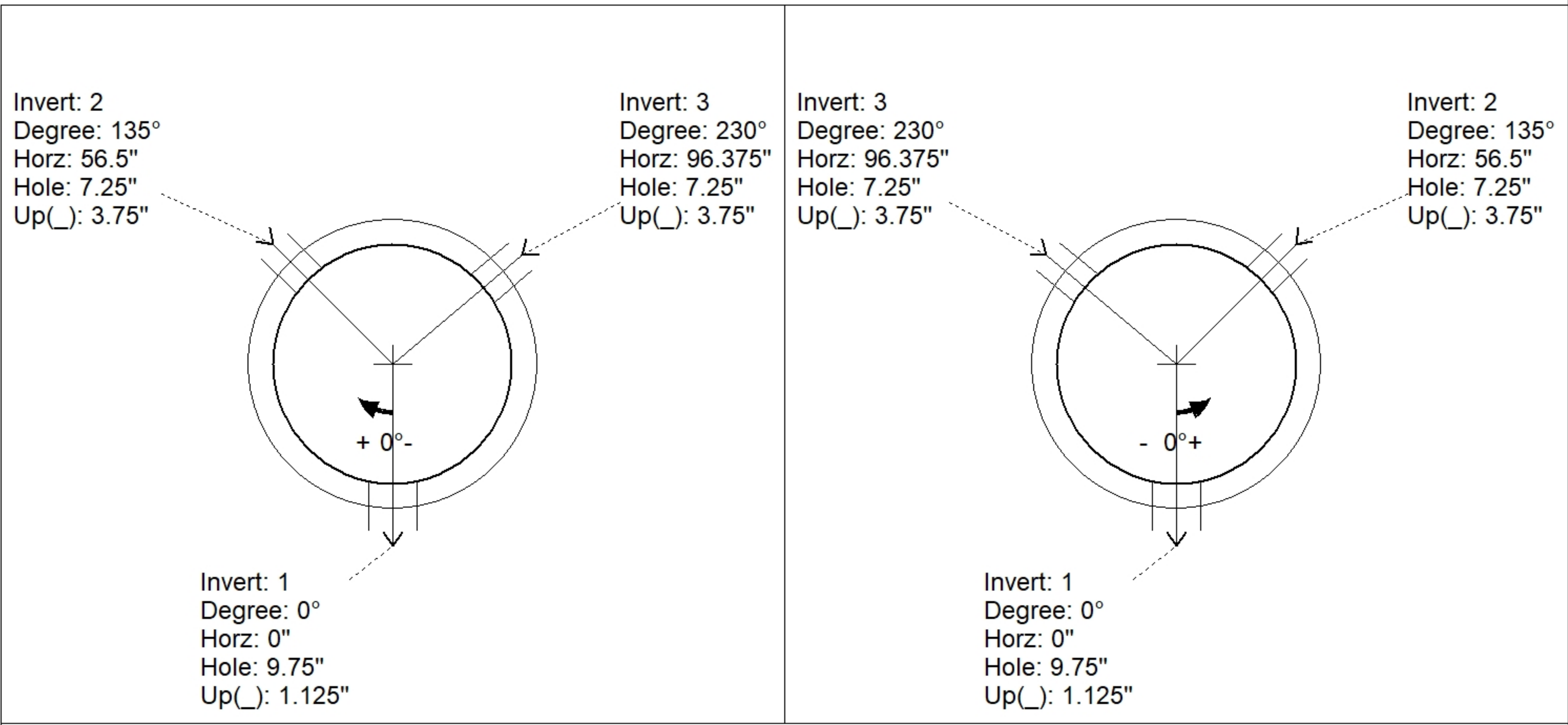
- PER ASTM C478 SPECIFICATIONS.
- CONCRETE = 4,000 PSI AT 28 DAYS.
- MC-315 "SANITARY" BY ICAST
- REINFORCING PER ASTM A615 (GRADE 60).
  - CONE (As .12)
  - RISER/WALLS (As .12)
  - FLOOR (As .31) #5 BARS AT 12" C.C.E.W.
- NO STEPS

Rim: 916.16' Rim to Invert: 4.72' Slack: 0.64" Sump: 2" Step Position: 67°

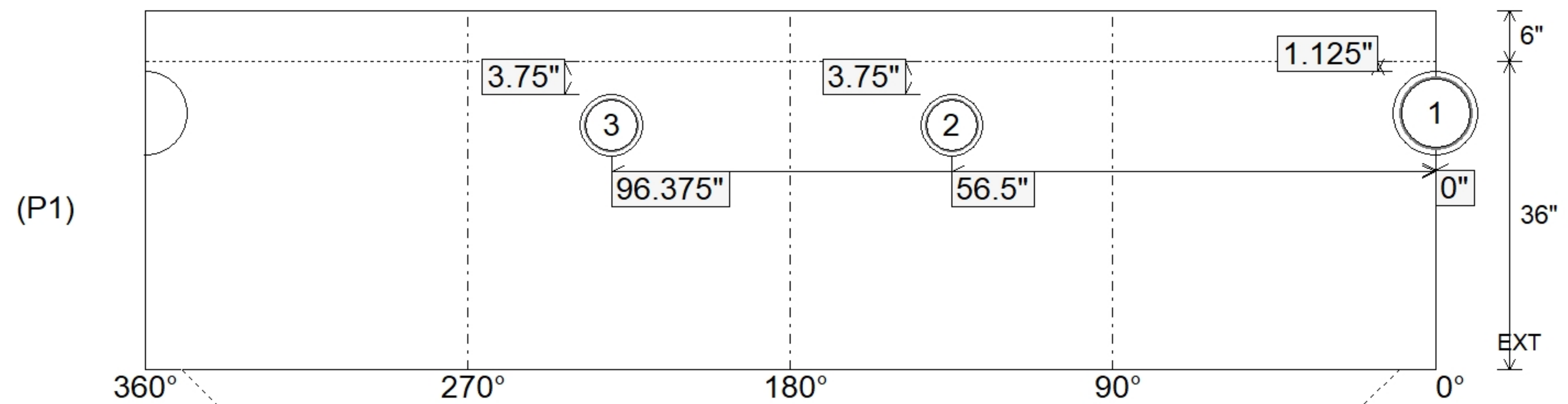
| Position | Elev    | Angle | Ext. (cw) | Pipe         | Pipe OD | Connector  | Hole  | Horz Size | Up ( ) | Offset |
|----------|---------|-------|-----------|--------------|---------|------------|-------|-----------|--------|--------|
| Invert 1 | 911.44' | 0°    | 0"        | 8" PVC SDR35 | 8.5"    | A-Lok 0285 | 9.75" | 9.818"    | 1.125" | 0"     |
| Invert 2 | 911.64' | 135°  | 68.375"   | 6" PVC SDR35 | 6.25"   | A-Lok 0210 | 7.25" | 7.278"    | 3.75"  | 0"     |
| Invert 3 | 911.64' | 230°  | 116.375"  | 6" PVC SDR35 | 6.25"   | A-Lok 0210 | 7.25" | 7.278"    | 3.75"  | 0"     |
| Invert 4 |         |       |           |              |         |            |       |           |        |        |
| Invert 5 |         |       |           |              |         |            |       |           |        |        |
| Invert 6 |         |       |           |              |         |            |       |           |        |        |
| Invert 7 |         |       |           |              |         |            |       |           |        |        |
| Invert 8 |         |       |           |              |         |            |       |           |        |        |

**RIGHT-SIDE UP VIEW (int. dimensions)**

**UPSIDE-DOWN VIEW (int. dimensions)**



**INSIDE WALL DIMENSIONS**



|                |                 |                    |                   |                         |
|----------------|-----------------|--------------------|-------------------|-------------------------|
| Coating (Int): | Seam Up: Tongue | Wall Thickness: 5" | Height (Int): 36" | Weight (Net): 3779 lb   |
| Coating (Ext): | Seam Dn: n/a    | Floor Height: 6"   | Height (Ext): 42" | Volume (Net): 0.96cu.yd |

**Structure ID: SSMH G1**

**P1 A MH048BA36**

**MH BASE T/n**

|  |  |
|--|--|
| P4) 24" - CASTING HEIGHT - 7"<br>P3) 24" - GRADE RING F/F - 3"<br>P2) 48" - MH FLAT TOP w/ 24" ECC Hole F/G - 12"<br>P1) 48" - MH BASE T/n - 36"<br>1) 48" - MH INVERT CHANNEL - FULL HEIGHT<br>1) JOINT WRAP - 0.065"x6"x50' CONSEAL CS212<br>1) JOINT WRAP PRIMER - CONSEAL CS-75 (1 gal.)<br>1) CASTING - HOE MC-315 F/C Sanitary<br>1) 48" - DBL 1"x14.5' Butyl (2x)<br>1) A-Lok - 0285<br>2) A-Lok - 0210 | 0 lb<br>202 lb<br>1561 lb<br>3779 lb<br>1440 lb<br>0 lb<br>0 lb<br>258 lb<br>0 lb<br>1 lb<br>2 lb<br><hr style="width: 50px; margin-left: auto; margin-right: 0;"/> Structure Total: 7243 lb |
|--|--|

**Structure Notes:**

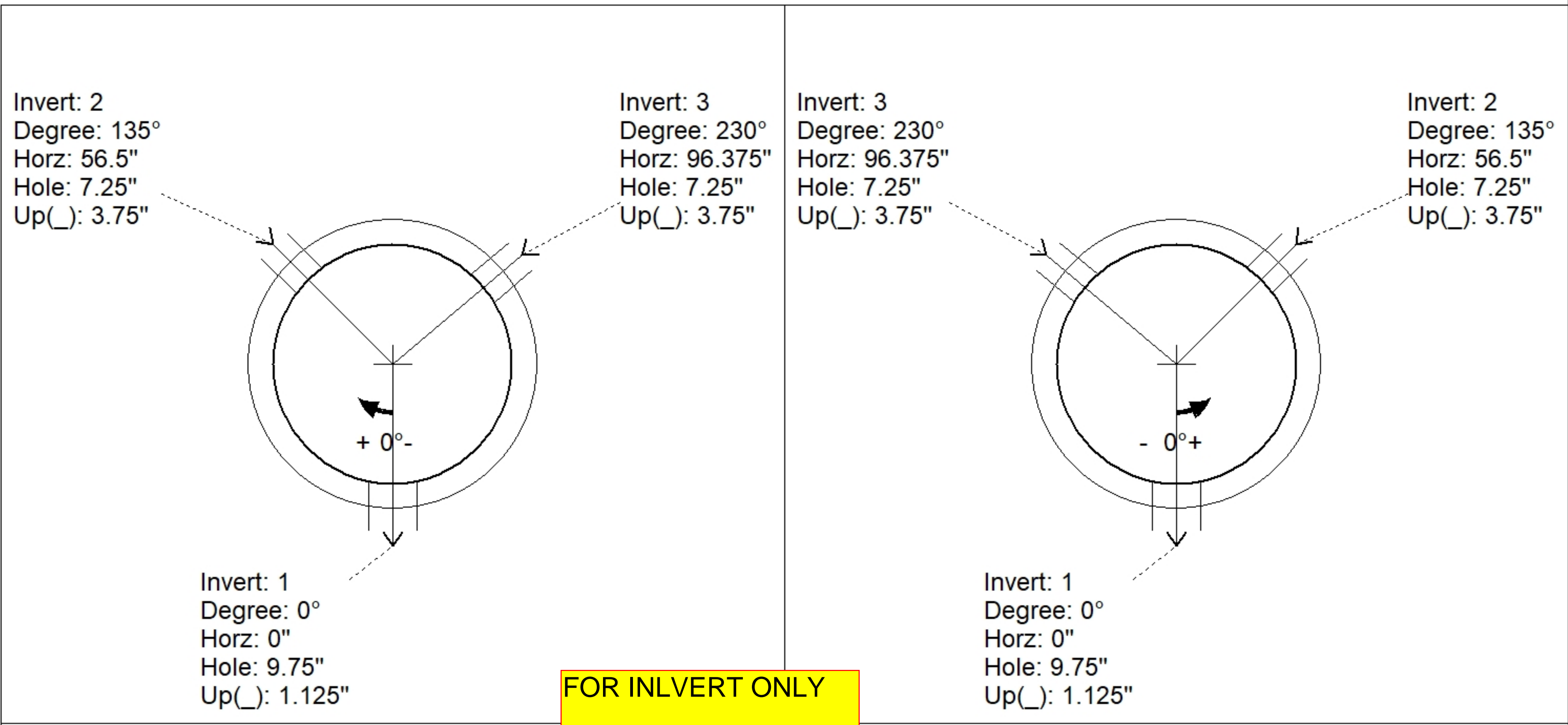
1. PER ASTM C478 SPECIFICATIONS.
2. CONCRETE = 4,000 PSI AT 28 DAYS.
3. MC-315 "SANITARY" BY ICAST
4. REINFORCING PER ASTM A615 (GRADE 60).  
 - CONE (As .12)  
 - RISER/WALLS (As .12)  
 - FLOOR (As .31) #5 BARS AT 12" C.C.E.W.
5. NO STEPS

Rim: 916.16'    Rim to Invert: 4.72'    Slack: 0.64"    Sump: 2"    Step Position: 67°

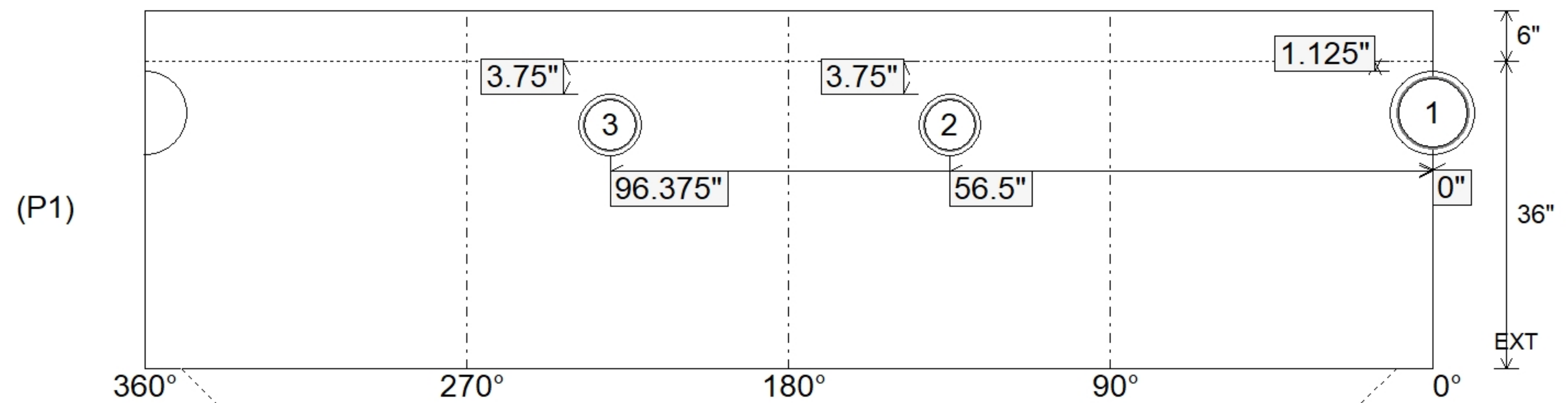
| Position | Elev    | Angle | Ext. (cw) | Pipe         | Pipe OD | Connector  | Hole  | Horz Size | Up ( ) | Offset |
|----------|---------|-------|-----------|--------------|---------|------------|-------|-----------|--------|--------|
| Invert 1 | 911.44' | 0°    | 0"        | 8" PVC SDR35 | 8.5"    | A-Lok 0285 | 9.75" | 9.818"    | 1.125" | 0"     |
| Invert 2 | 911.64' | 135°  | 68.375"   | 6" PVC SDR35 | 6.25"   | A-Lok 0210 | 7.25" | 7.278"    | 3.75"  | 0"     |
| Invert 3 | 911.64' | 230°  | 116.375"  | 6" PVC SDR35 | 6.25"   | A-Lok 0210 | 7.25" | 7.278"    | 3.75"  | 0"     |
| Invert 4 |         |       |           |              |         |            |       |           |        |        |
| Invert 5 |         |       |           |              |         |            |       |           |        |        |
| Invert 6 |         |       |           |              |         |            |       |           |        |        |
| Invert 7 |         |       |           |              |         |            |       |           |        |        |
| Invert 8 |         |       |           |              |         |            |       |           |        |        |

**RIGHT-SIDE UP VIEW (int. dimensions)**

**UPSIDE-DOWN VIEW (int. dimensions)**



**INSIDE WALL DIMENSIONS**



|                                  |                                 |  |  |  |
|----------------------------------|---------------------------------|--|--|--|
| Coating (Int):<br>Coating (Ext): | Seam Up: Tongue<br>Seam Dn: n/a | Wall Thickness: 5"<br>Floor Height: 6" | Height (Int): 36"<br>Height (Ext): 42" | Weight (Net): 3779 lb<br>Volume (Net): 0.96cu.yd |
|----------------------------------|---------------------------------|--|--|--|