

**Job Name: 25-3292 Arbor View Sec. 2**  
**Job Location: Eminence, KY**  
**Contractor: Core & Main LP (Lou)**

PC: J.Jarvis  
 TECH: C.Russ  
 Plant: Beaver Dam



Structure ID: **SSMH F2**

Spec: Sanitary  
 Type: SAN.MH  
 Size: 48"

Rim: 913.9'  
 Invert: 908.83'  
 Rim to Invert: 5.07'

Sump: 2"  
 Floor (Top): 908.663'  
 Floor Height: 6"

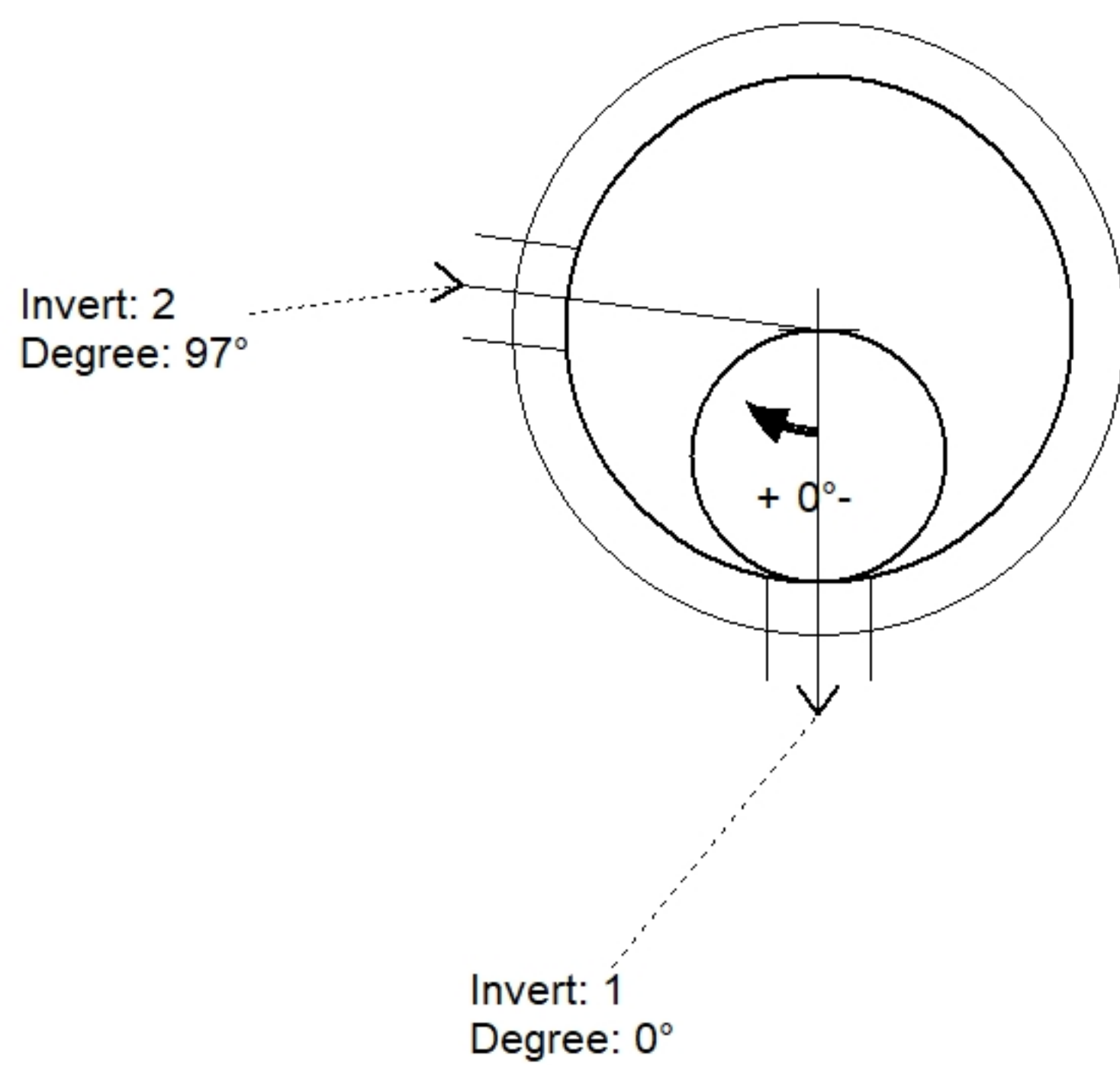
Floor (Bot): 908.163'  
 Overall Height: 5.583'  
 Slack: 1.84"

Structure Notes:

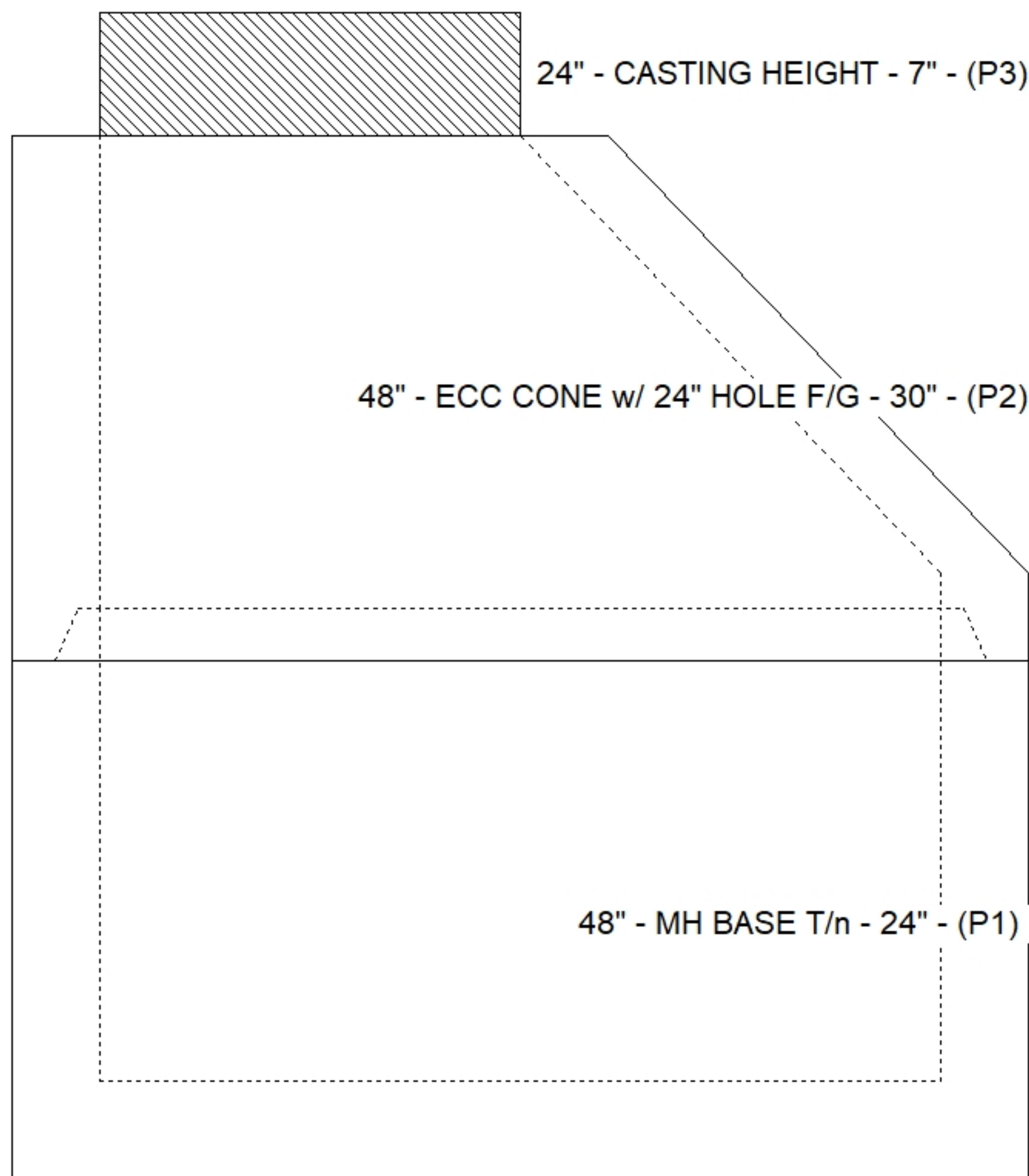
1. PER ASTM C478 SPECIFICATIONS.
2. CONCRETE = 4,000 PSI AT 28 DAYS.
3. MC-315 "SANITARY" BY ICAST
4. REINFORCING PER ASTM A615 (GRADE 60).  
 - CONE (As .12)  
 - RISER/WALLS (As .12)  
 - FLOOR (As .31) #5 BARS AT 12" C.C.E.W.
5. NO STEPS

STRUCTURE SUMMARY:

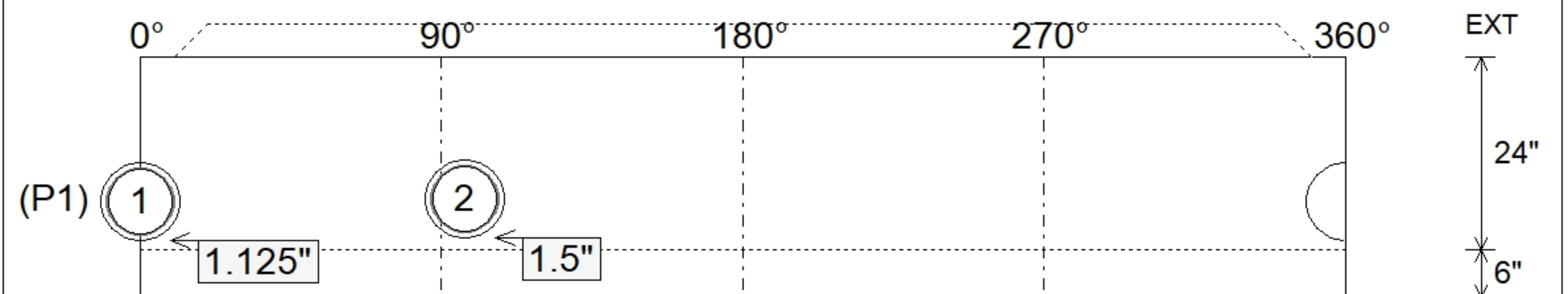
P3) 24" - CASTING HEIGHT - 7"	0 lb
P2) 48" - ECC CONE w/ 24" HOLE F/G - 30"	2050 lb
P1) 48" - MH BASE T/n - 24"	2944 lb
1) 48" - MH INVERT CHANNEL - FULL HEIGHT	1440 lb
1) JOINT WRAP - 0.065"x6"x50' CONSEAL CS212	0 lb
1) JOINT WRAP PRIMER - CONSEAL CS-75 (1 gal.)	0 lb
1) CASTING - HOE MC-315 F/C Sanitary	258 lb
1) 48" - DBL 1"x14.5' Butyl (2x)	0 lb
2) A-Lok - 0285	2 lb
<b>Structure Total:</b>	<b>6694 lb</b>



Position	Elev	Angle	Pipe	Pipe OD	Hole	Connector	Up (")	Ref
Rim	913.9'							
Reducer								
Invert 1	908.83'	0°	8" PVC SDR35	8.5"	9.75"	A-Lok 0285	1.125"	P1
Invert 2	908.86'	97°	8" PVC SDR35	8.5"	9.75"	A-Lok 0285	1.5"	P1
Invert 3								
Invert 4								
Invert 5								
Invert 6								
Invert 7								
Invert 8								



**Cast (Int. Dim.) - Interior Dimensions**



Submittal Drawing  
 10/21/2025 9:21:02 AM

SUBMITTAL  
 APPROVED BY: