

Job Name: 25-3292 Arbor View Sec. 2	Plant: Beaver Dam	Tech: C.Russ	
Job Location: Eminence, KY Contractor: Core & Main LP (Lou)	10/21/2025 9:21:22 AM	PC: J.Jarvis	

Structure ID: MH-A4

P1 MH048BA30

MH BASE T/n

P4) 24" - CASTING HEIGHT - 7"	0 lb
P3) 24" - GRADE RING F/F - 4"	270 lb
P2) 48" - MH FLAT TOP w/ 24" ECC Hole F/G - 12"	1561 lb
P1) 48" - MH BASE T/n - 30"	3032 lb
1) CASTING - HOE MC-315 F/C Storm	258 lb
1) 48" - SGL 1"x14.5' Butyl (2x)	0 lb
2) Hole - 24	0 lb
Structure Total:	5120 lb

Structure Notes:

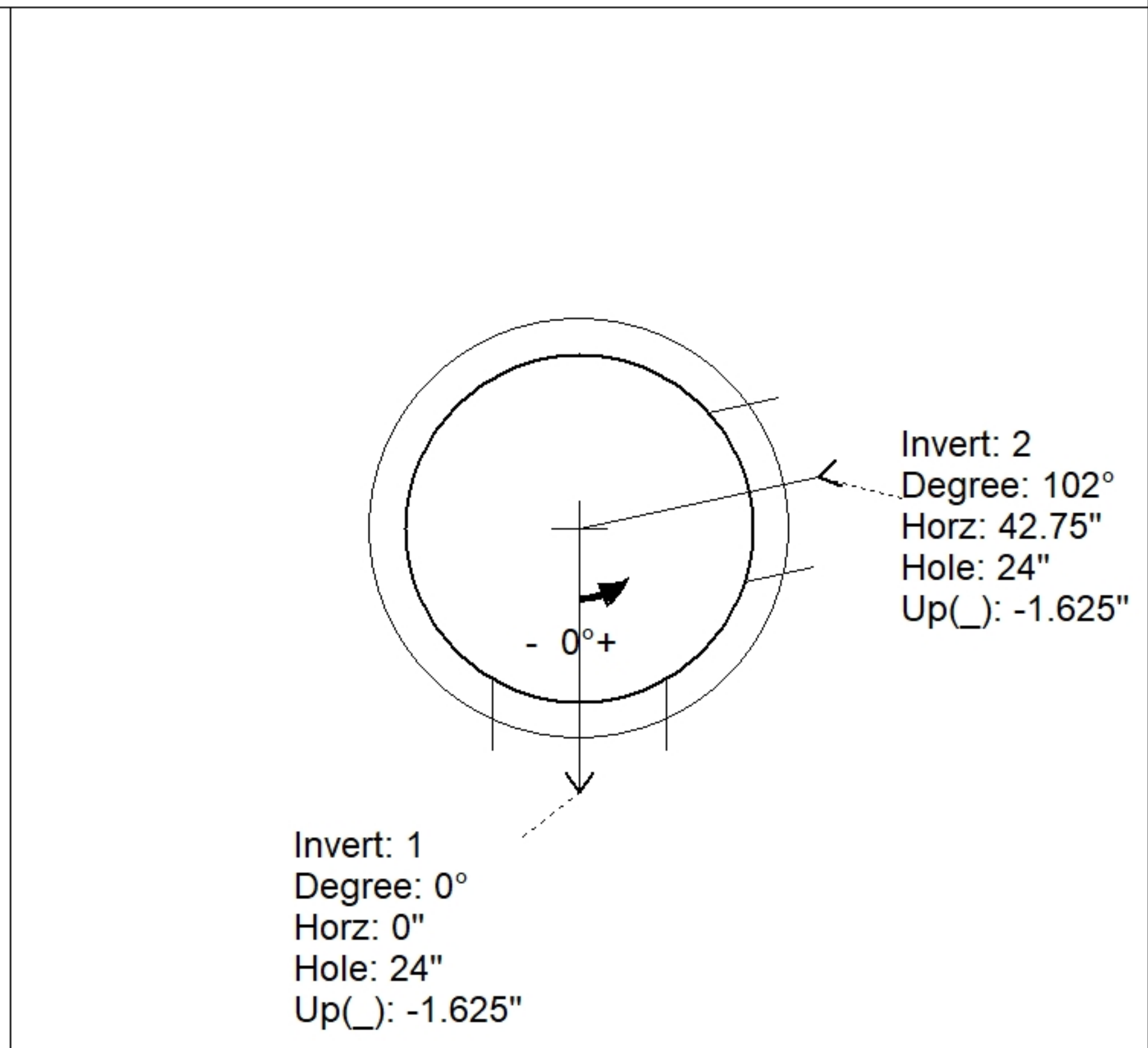
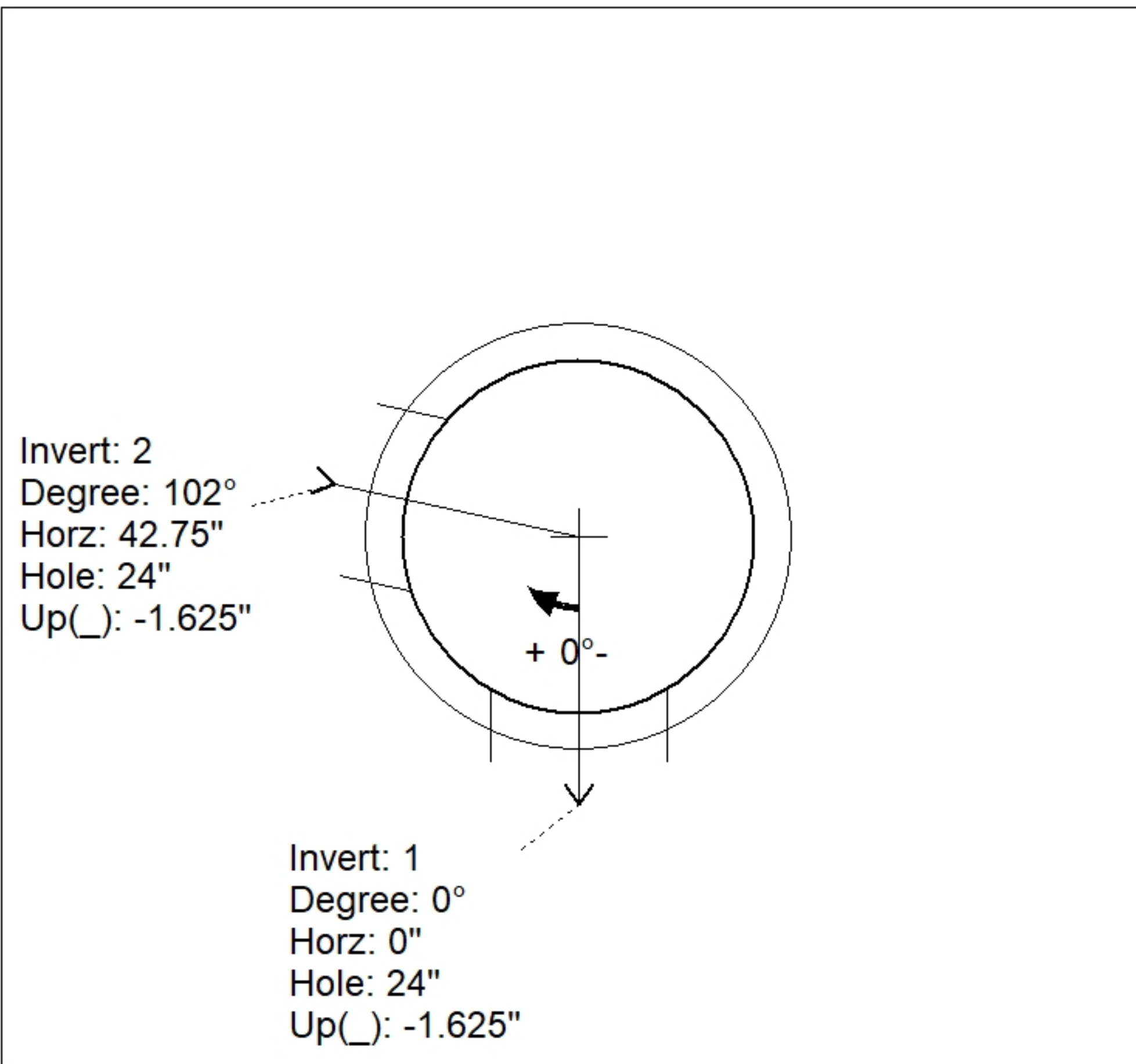
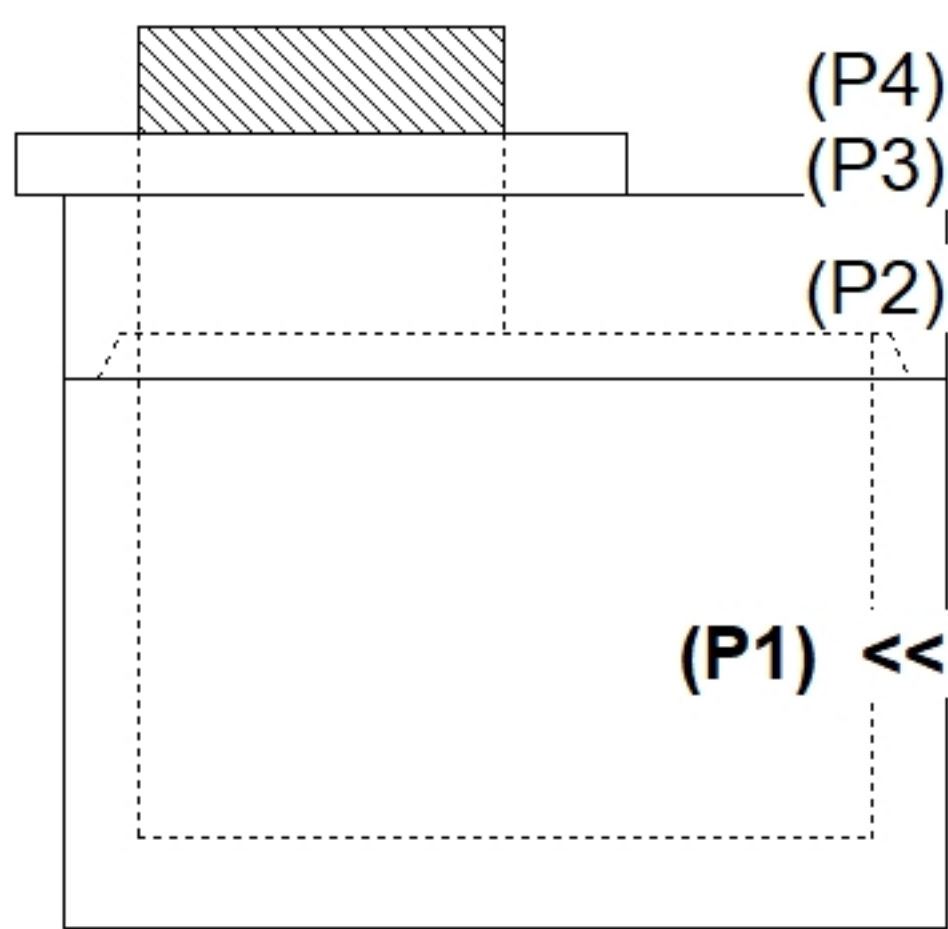
- PER ASTM C478 SPECIFICATIONS.
- CONCRETE = 4,000 PSI AT 28 DAYS.
- HOE MC-315 "STORM" BY ICAST
- REINFORCING PER ASTM A615 (GRADE 60).
 - TOP SLAB (As .62) #5 BARS AT 6" C.C.E.W..
 - RISER/WALLS (As .12)
 - FLOOR (As .31) #5 BARS AT 12" C.C.E.W.

Rim: 890.72' Rim to Invert: 4.47' Slack: 0.64" Sump: 0" Step Position: 0°

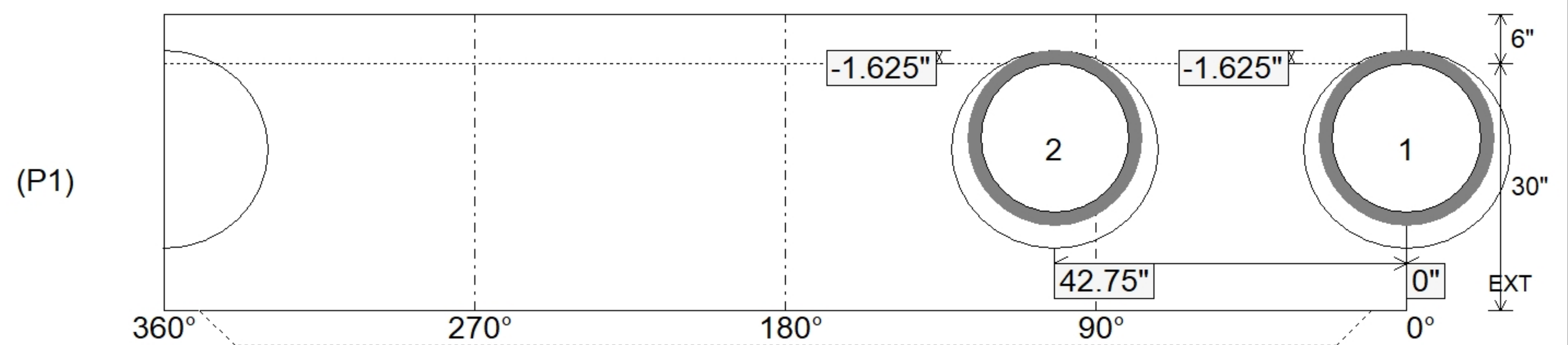
Position	Elev	Angle	Ext. (cw)	Pipe	Pipe OD	Connector	Hole	Horz Size	Up ()	Offset
Invert 1	886.25'	0°	0"	18" HDPE	21.2"	Hole 24	24"	25.133"	-1.625"	0"
Invert 2	886.25'	102°	51.625"	18" HDPE	21.2"	Hole 24	24"	25.133"	-1.625"	0"
Invert 3										
Invert 4										
Invert 5										
Invert 6										
Invert 7										
Invert 8										

RIGHT-SIDE UP VIEW (int. dimensions)

UPSIDE-DOWN VIEW (int. dimensions)



INSIDE WALL DIMENSIONS



Coating (Int):	Seam Up: Tongue	Wall Thickness: 5"	Height (Int): 30"	Weight (Net): 3032 lb
Coating (Ext):	Seam Dn: n/a	Floor Height: 6"	Height (Ext): 36"	Volume (Net): 0.77cu.yd