

| | | | |
|--|-----------------------|--------------|--|
| Job Name: 25-3292 Arbor View Sec. 2 | Plant: Beaver Dam | Tech: C.Russ |  |
| Job Location: Eminence, KY Contractor: Core & Main LP (Lou) | 10/21/2025 9:21:25 AM | PC: J.Jarvis | |

Structure ID: CBI-D2

P1 BX2436-08BVF

BOX BASE 8inW, 8inF, Variable Ht F/n

- P2) 24" x 36" - CASTING HEIGHT - 6"
- P1) 24" x 36" - BOX BASE 8inW, 8inF, Variable Ht F/n - 42"
- 1) CASTING - HOE 525 LV SET (F/G/H)
- 1) 24" x 36" - SGL 1"x14.5' Butyl
- 2) Hole - 24"

0 lb
5074 lb
442 lb
0 lb
0 lb

Structure Total: 5516 lb

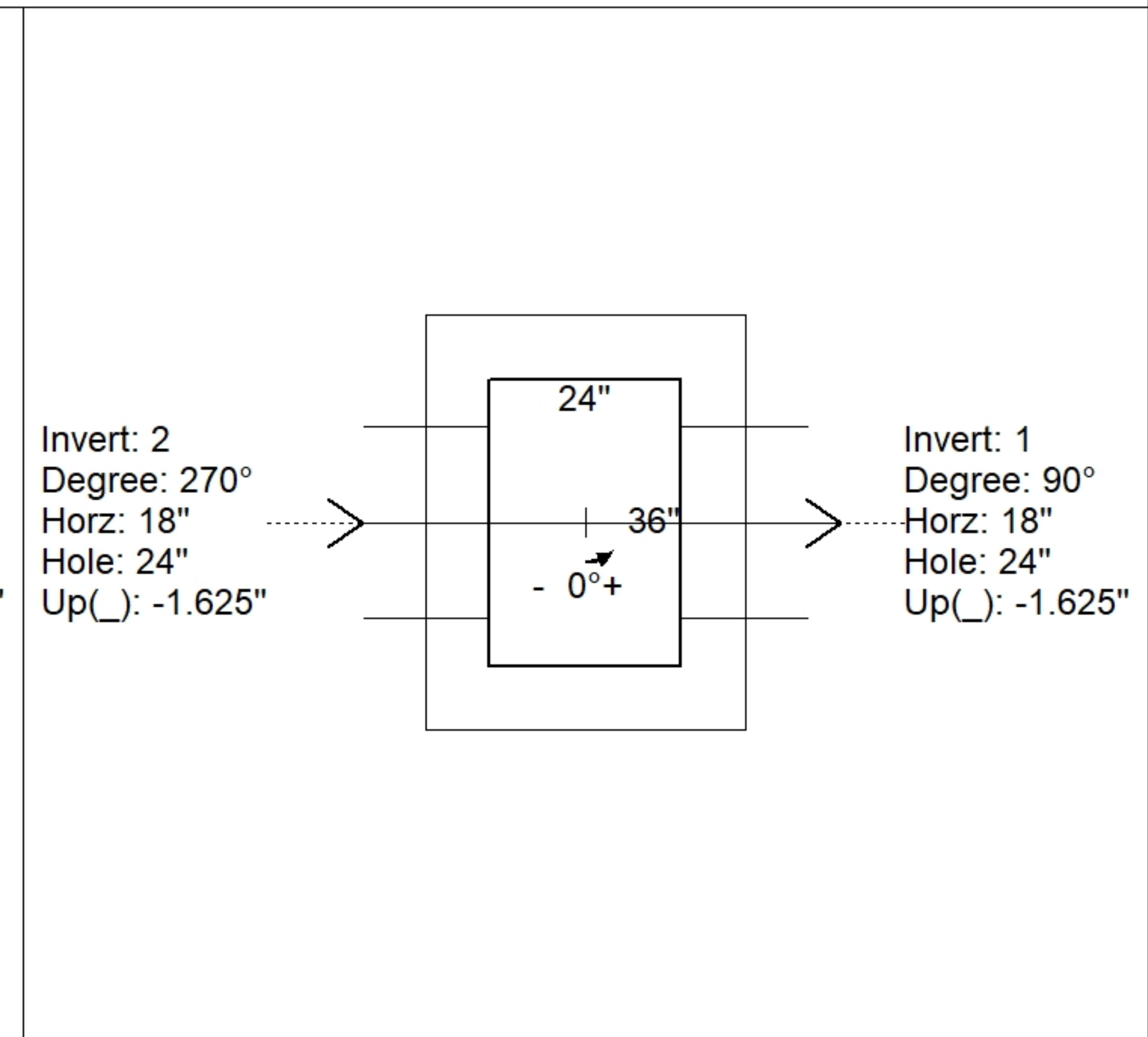
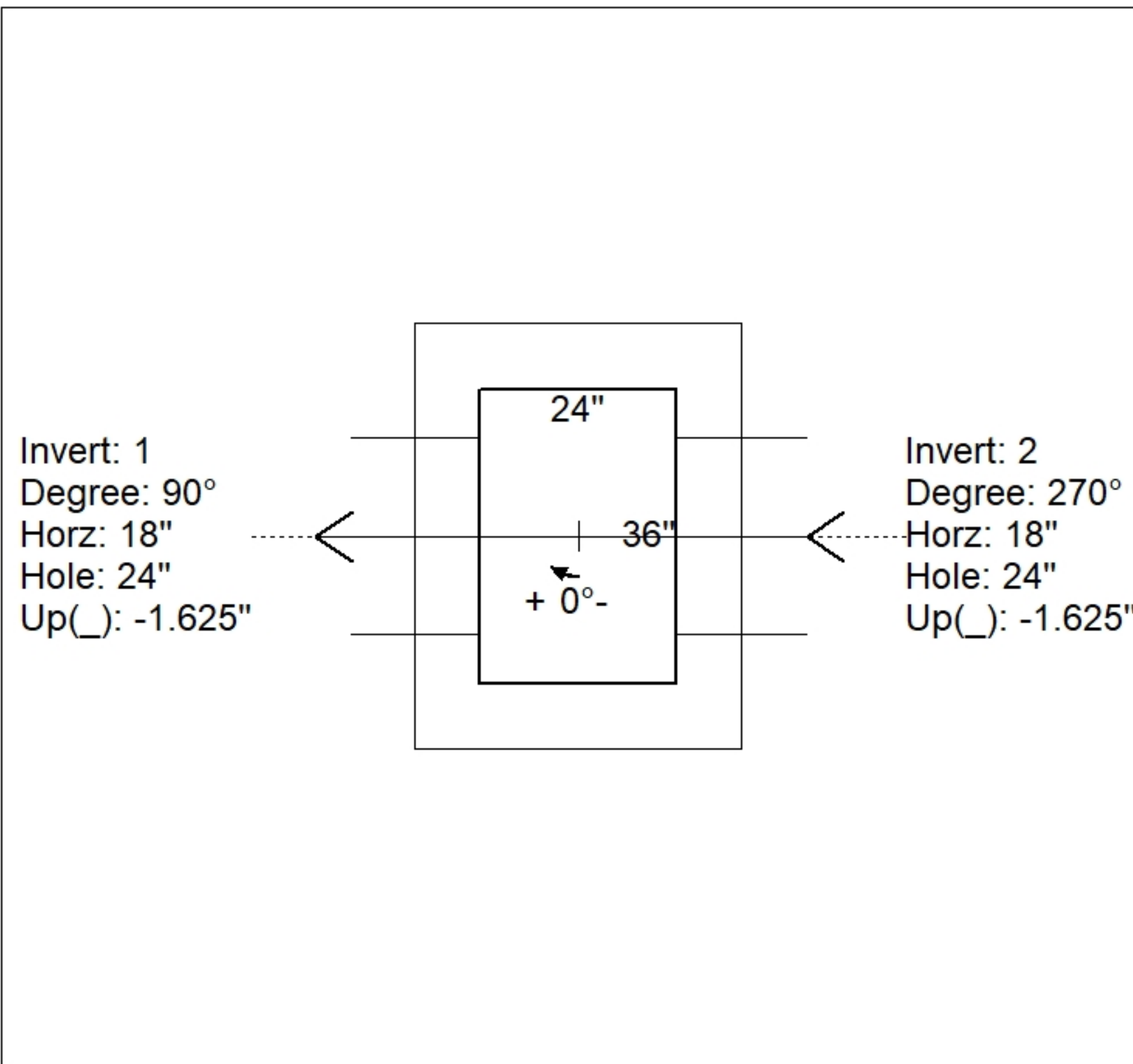
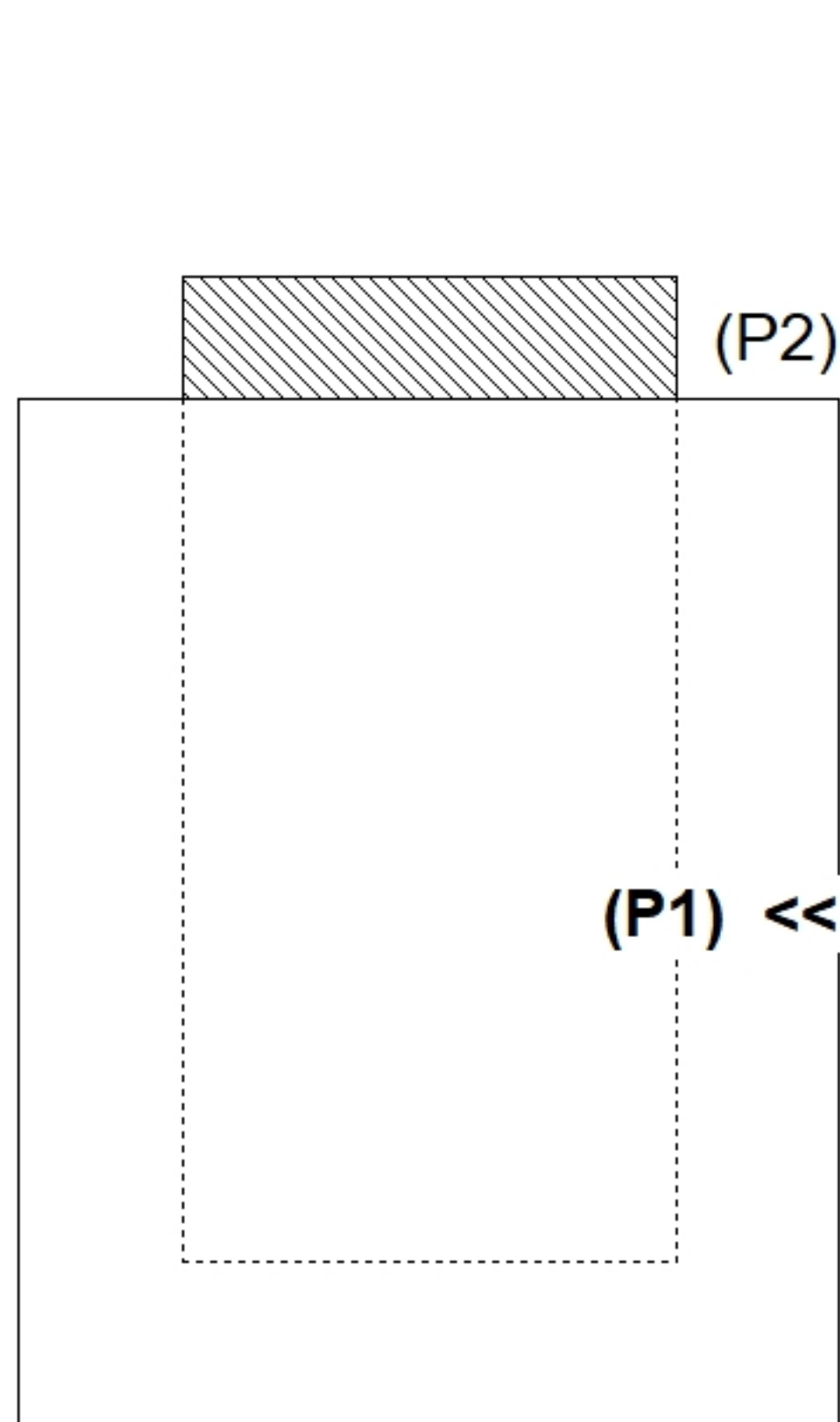
- Structure Notes:**
1. PER ASTM C913 SPECIFICATIONS.
 2. CONCRETE = 4,000 PSI AT 28 DAYS.
 3. NO INVERT CHANNEL.
 4. HOE 525 BY ICAST
 5. REINFORCING PER ASTM A615 (GRADE 60).
- WALLS (As .12) #5 BARS AT 12" C.C.E.W.
- FLOOR (As .12) #5 BARS AT 12" C.C.E.W.

Rim: 916.58' Rim to Invert: 4.08' Slack: 0.96" Sump: 0" Step Position:

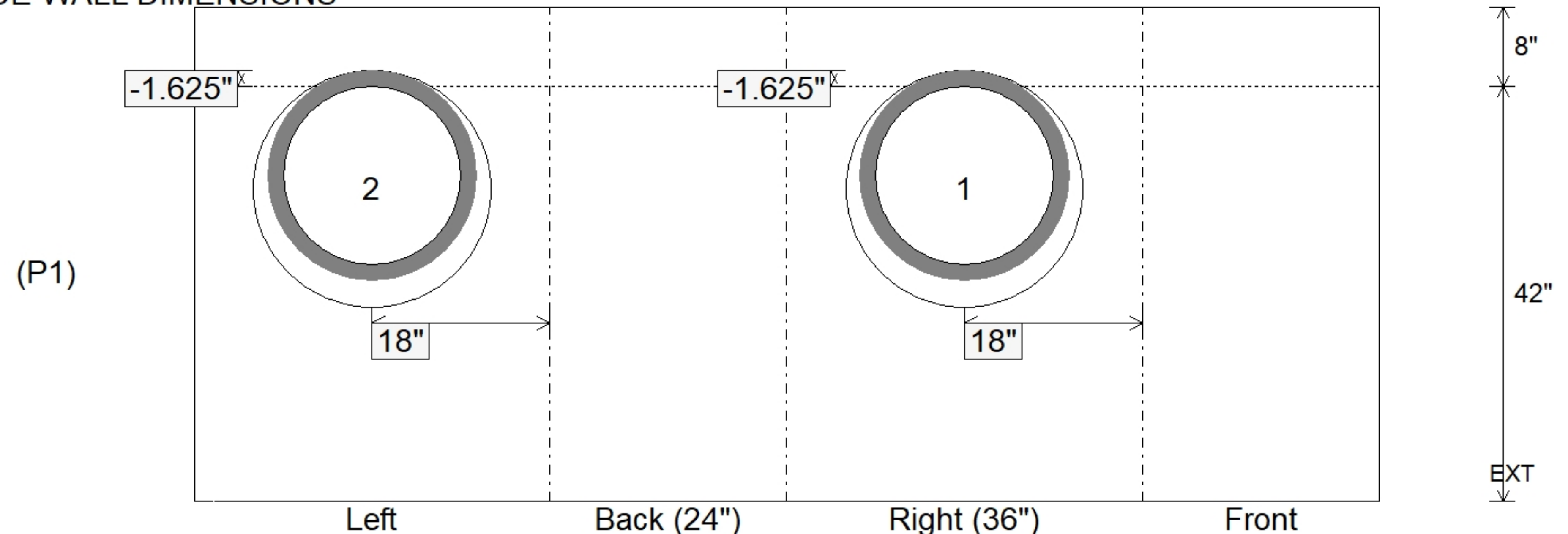
| Position | Elev | Angle | Ext. (cw) | Pipe | Pipe OD | Connector | Hole | Horz Size | Up () | Offset |
|----------|--------|-------|-----------|----------|---------|-----------|------|-----------|---------|--------|
| Invert 1 | 912.5' | 90° | 26" | 18" HDPE | 21.2" | Hole 24 | 24" | 24" | -1.625" | 0" |
| Invert 2 | 912.5' | 270° | 26" | 18" HDPE | 21.2" | Hole 24 | 24" | 24" | -1.625" | 0" |
| Invert 3 | | | | | | | | | | |
| Invert 4 | | | | | | | | | | |
| Invert 5 | | | | | | | | | | |
| Invert 6 | | | | | | | | | | |
| Invert 7 | | | | | | | | | | |
| Invert 8 | | | | | | | | | | |

RIGHT-SIDE UP VIEW (int. dimensions)

UPSIDE-DOWN VIEW (int. dimensions)



INSIDE WALL DIMENSIONS



| | | | | |
|----------------------------------|-------------------------------|--|--|---|
| Coating (Int): Coating (Ext): | Seam Up: Flat Seam Dn: n/a | Wall Thickness: 8" Floor Height: 8" | Height (Int): 42" Height (Ext): 50" | Weight (Net): 5074 lb Volume (Net): 1.3cu.yd |
|----------------------------------|-------------------------------|--|--|---|