

Job Name: 25-3292 Arbor View Sec. 2
Job Location: Eminence, KY
Contractor: Core & Main LP (Lou)

PC: J.Jarvis
 TECH: C.Russ
 Plant: Beaver Dam



Structure ID: CBI-C3

Spec: Storm
 Type: STM.MH (Recessed pipe)
 Size: 48"

Rim: 897.76'
 Invert: 893.1'
 Rim to Invert: 4.66'

Sump: 0"
 Floor (Top): 893.1'
 Floor Height: 6"

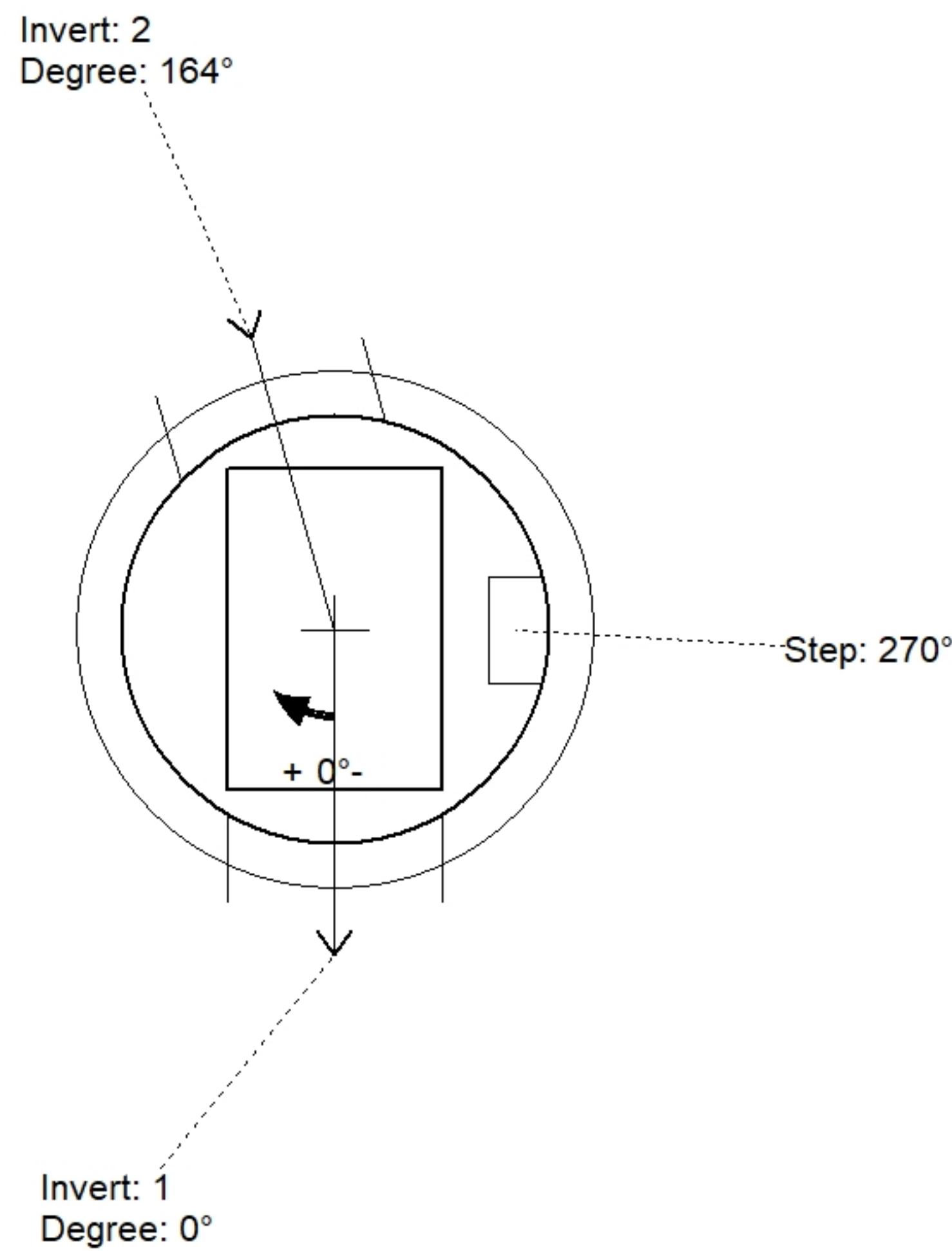
Floor (Bot): 892.6'
 Overall Height: 5'
 Slack: 1.92"

Structure Notes:

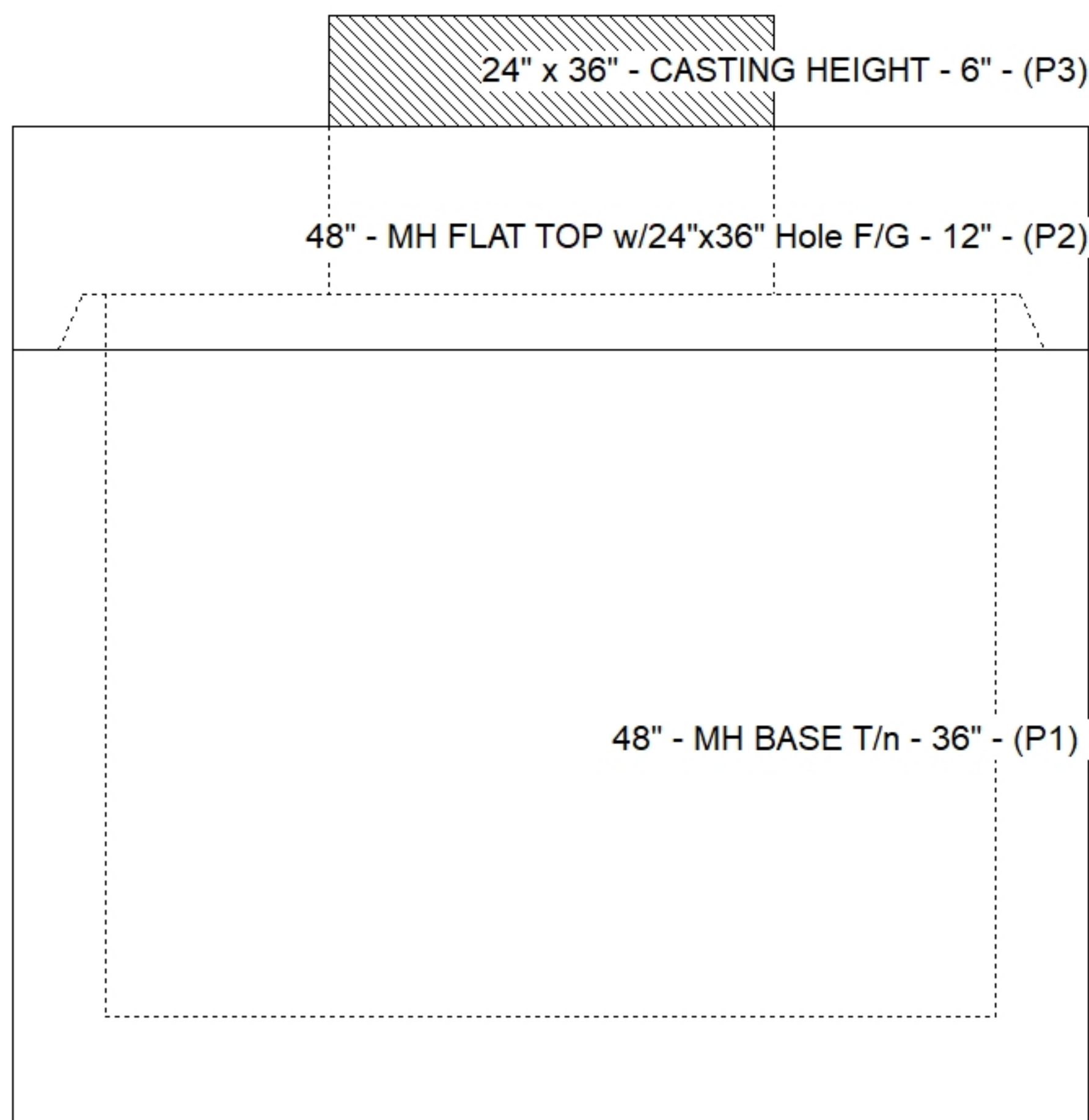
1. PER ASTM C478 SPECIFICATIONS.
2. CONCRETE = 4,000 PSI AT 28 DAYS.
3. HOE 525 BY ICAST.
4. REINFORCING PER ASTM A615 (GRADE 60).
 - TOP SLAB (As .62) #5 BARS AT 6" C.C.E.W..
 - RISER/WALLS (As .12)
 - FLOOR (As .31) #5 BARS AT 12" C.C.E.W.

STRUCTURE SUMMARY:

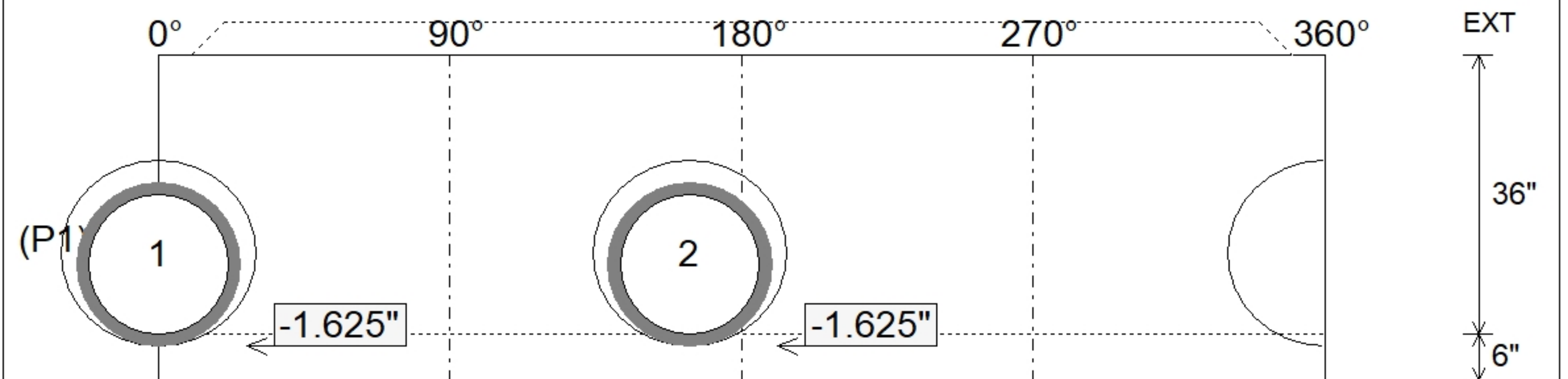
P3) 24" x 36" - CASTING HEIGHT - 6"	0 lb
P2) 48" - MH FLAT TOP w/24"x36" Hole F/G - 12"	1300 lb
P1) 48" - MH BASE T/n - 36"	3451 lb
1) CASTING - HOE 525 LV SET (F/G/H)	442 lb
1) 48" - SGL 1"x14.5' Butyl (2x)	0 lb
2) Hole - 24	0 lb
3) MH Step ML-10-TDS-NCR - 10"	0 lb
Structure Total:	5193 lb



Position	Elev	Angle	Pipe	Pipe OD	Hole	Connector	Up (L)	Ref
Rim	897.76'							
Reducer								
Invert 1	893.1'	0°	18" HDPE	21.2"	24"	Hole 24	-1.625"	P1
Invert 2	893.1'	164°	18" HDPE	21.2"	24"	Hole 24	-1.625"	P1
Invert 3								
Invert 4								
Invert 5								
Invert 6								
Invert 7								
Invert 8								



Cast (Int. Dim.) - Interior Dimensions



Submittal Drawing
 10/21/2025 9:21:00 AM

SUBMITTAL
 APPROVED BY: