

Job Name: 25-3292 Arbor View Sec. 2	Plant: Beaver Dam	Tech: C.Russ	
Job Location: Eminence, KY	10/21/2025 9:21:23 AM	PC: J.Jarvis	
Contractor: Core & Main LP (Lou)			

**Structure ID: CBI-C2**

**P1 BX2436-08BVF**

**BOX BASE 8inW, 8inF, Variable Ht F/n**

- P2) 24" x 36" - CASTING HEIGHT - 6"
- P1) 24" x 36" - BOX BASE 8inW, 8inF, Variable Ht F/n - 33"
- 1) CASTING - HOE 525 LV SET (F/G/H)
- 1) 24" x 36" - SGL 1"x14.5' Butyl
- 2) Hole - 24"

0 lb  
4232 lb  
442 lb  
0 lb  
0 lb  
-----  
Structure Total: 4674 lb

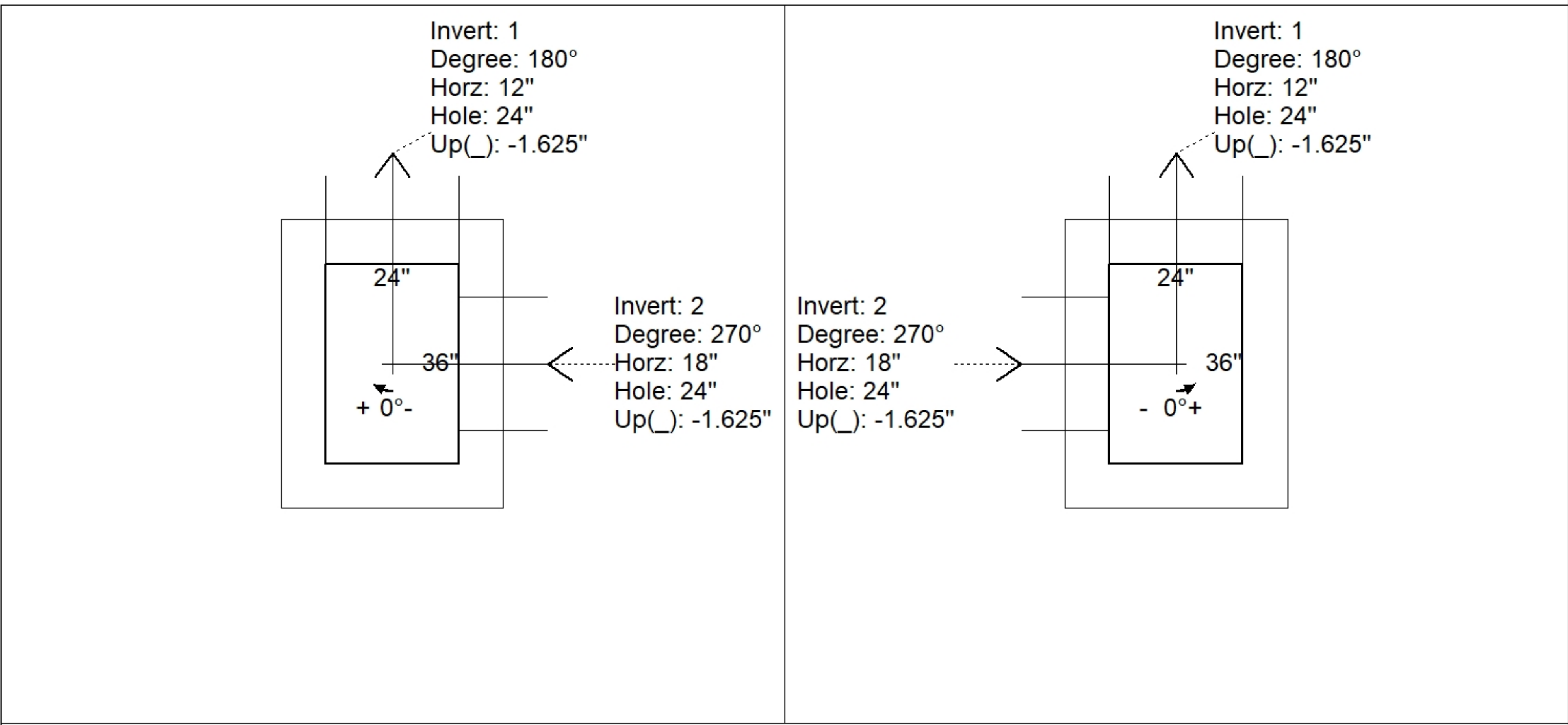
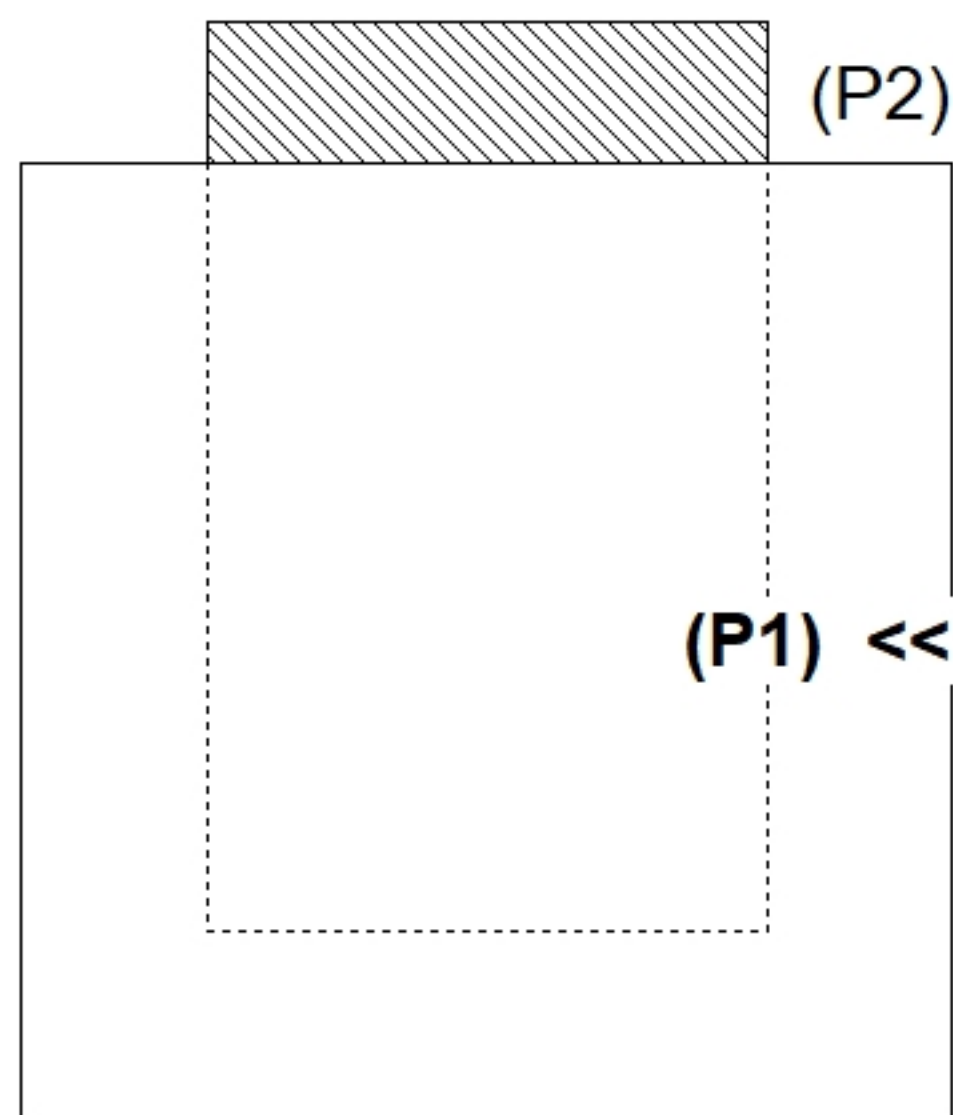
- Structure Notes:**
1. PER ASTM C913 SPECIFICATIONS.
  2. CONCRETE = 4,000 PSI AT 28 DAYS.
  3. NO INVERT CHANNEL.
  4. HOE 525 BY ICAST
  5. REINFORCING PER ASTM A615 (GRADE 60).
  - WALLS (As .12) #5 BARS AT 12" C.C.E.W.
  - FLOOR (As .12) #5 BARS AT 12" C.C.E.W.

Rim: 908.83' Rim to Invert: 3.31' Slack: 0.72" Sump: 0" Step Position:

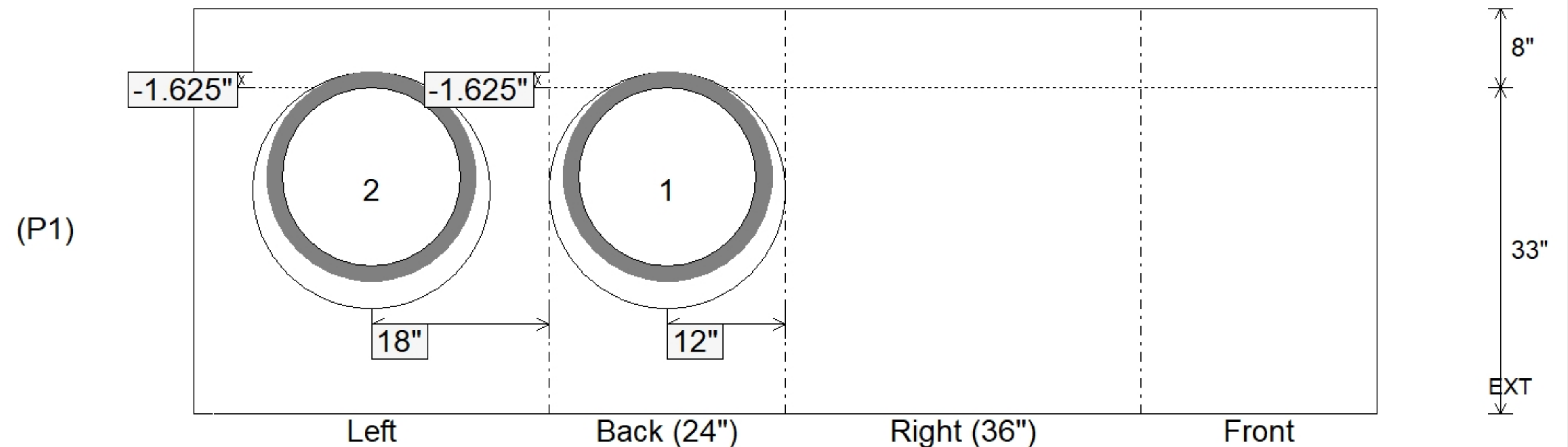
Position	Elev	Angle	Ext. (cw)	Pipe	Pipe OD	Connector	Hole	Horz Size	Up ( )	Offset
Invert 1	905.52'	180°	20"	18" HDPE	21.2"	Hole 24	24"	24"	-1.625"	0"
Invert 2	905.52'	270°	26"	18" HDPE	21.2"	Hole 24	24"	24"	-1.625"	0"
Invert 3										
Invert 4										
Invert 5										
Invert 6										
Invert 7										
Invert 8										

RIGHT-SIDE UP VIEW (int. dimensions)

UPSIDE-DOWN VIEW (int. dimensions)



INSIDE WALL DIMENSIONS



Coating (Int):	Seam Up: Flat	Wall Thickness: 8"	Height (Int): 33"	Weight (Net): 4232 lb
Coating (Ext):	Seam Dn: n/a	Floor Height: 8"	Height (Ext): 41"	Volume (Net): 1.08cu.yd