

Job Name: 25-3292 Arbor View Sec. 2	Plant: Beaver Dam	Tech: C.Russ	
Job Location: Eminence, KY Contractor: Core & Main LP (Lou)	10/21/2025 9:21:20 AM	PC: J.Jarvis	

**Structure ID: CBI-B1**

**P1 BX2436-08BVF**

**BOX BASE 8inW, 8inF, Variable Ht F/n**

P2) 24" x 36" - CASTING HEIGHT - 6"	0 lb
P1) 24" x 36" - BOX BASE 8inW, 8inF, Variable Ht F/n - 31"	4256 lb
1) CASTING - HOE 525 LV SET (F/G/H)	442 lb
1) 24" x 36" - SGL 1"x14.5' Butyl	0 lb
1) Hole - 24"	0 lb
<b>Structure Total:</b>	<b>4698 lb</b>

**Structure Notes:**

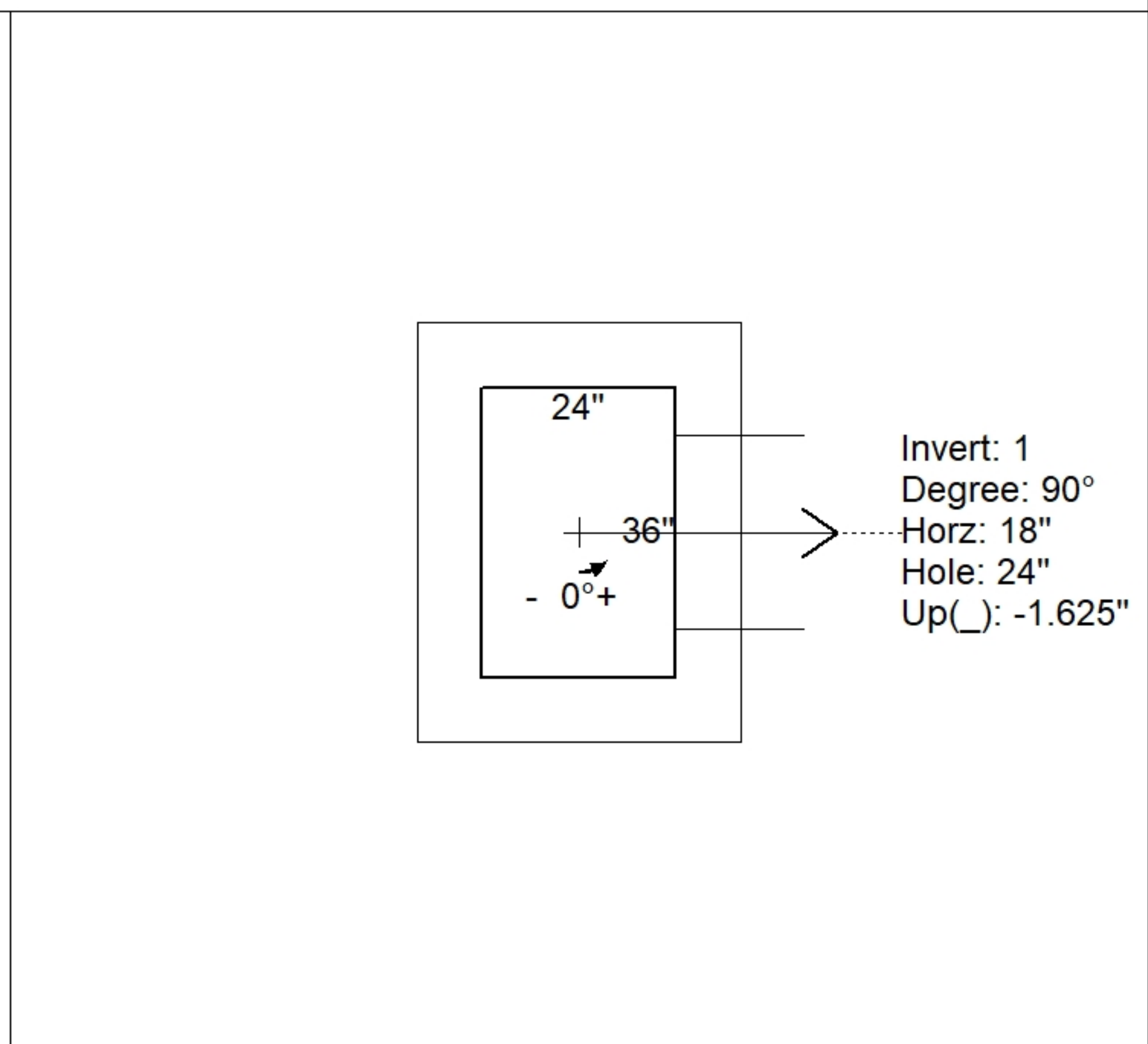
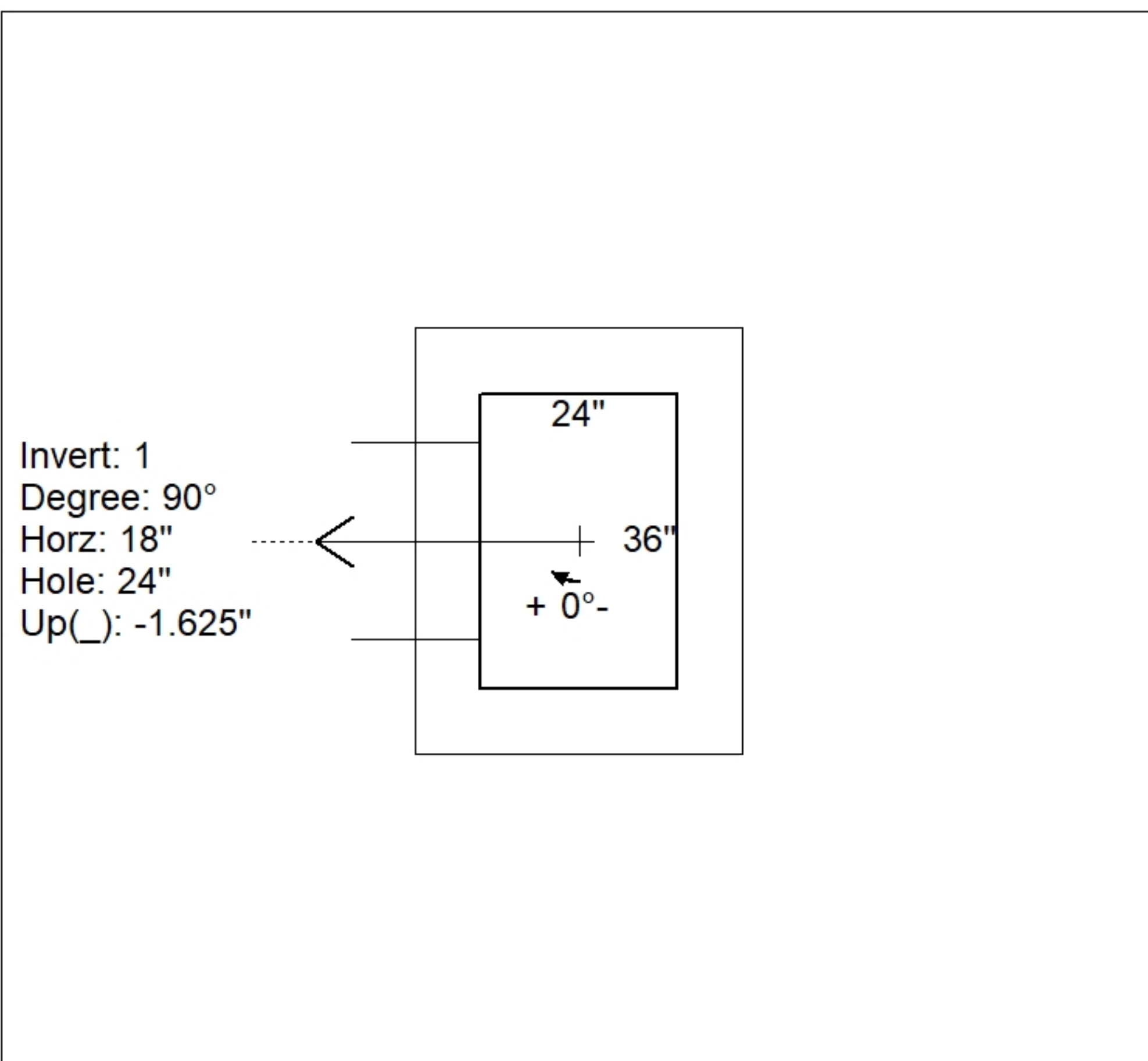
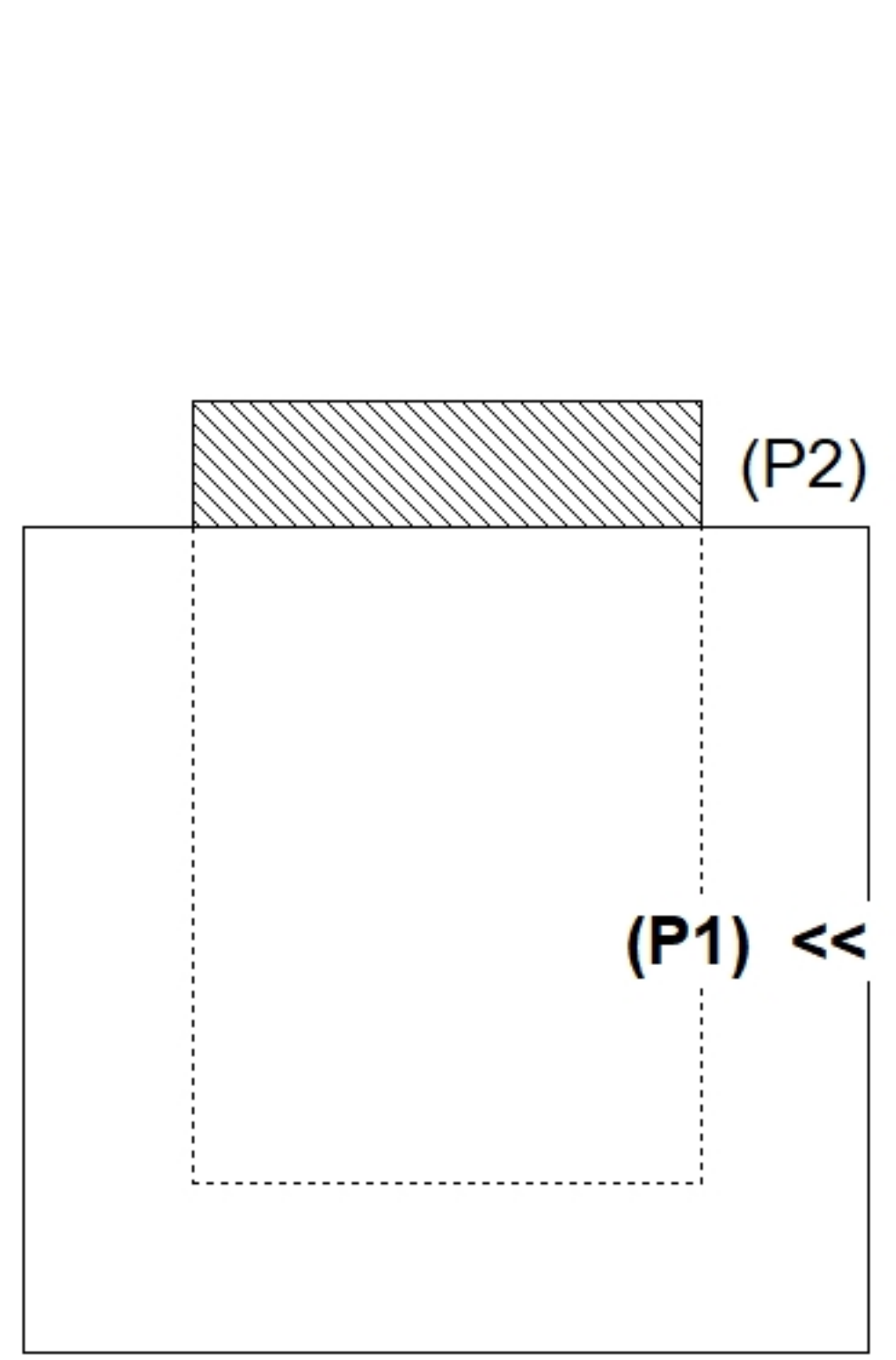
- PER ASTM C913 SPECIFICATIONS.
- CONCRETE = 4,000 PSI AT 28 DAYS.
- NO INVERT CHANNEL.
- HOE 525 BY ICAST
- REINFORCING PER ASTM A615 (GRADE 60).  
- WALLS (As .12) #5 BARS AT 12" C.C.E.W.  
- FLOOR (As .12) #5 BARS AT 12" C.C.E.W.

Rim: 914.37'    Rim to Invert: 3.09'    Slack: 0.08"    Sump: 0"    Step Position:

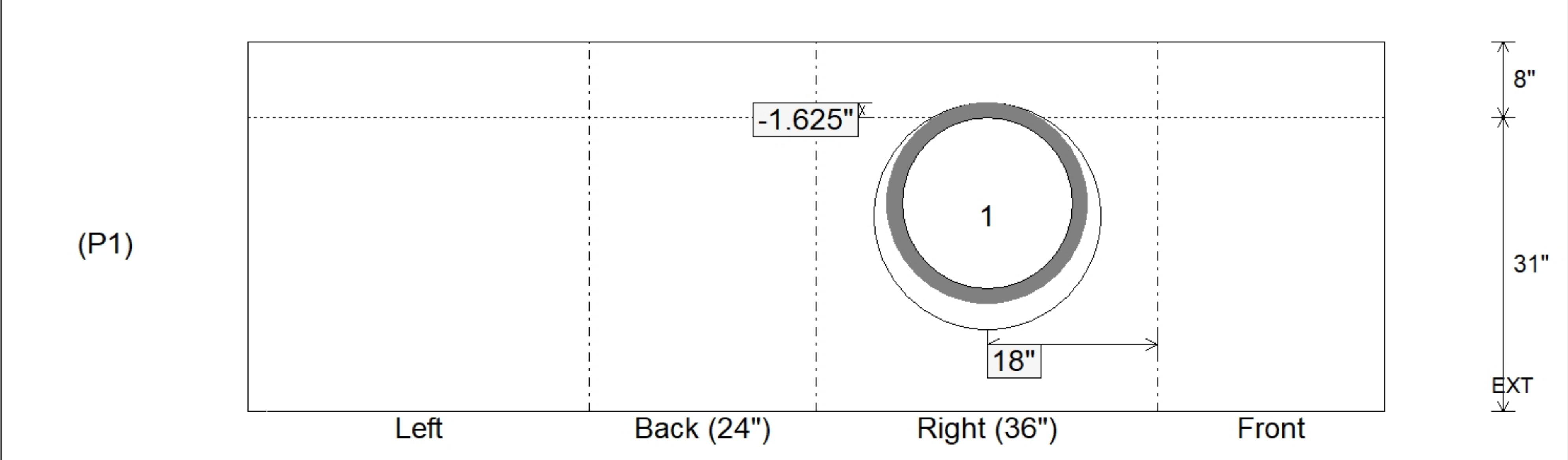
Position	Elev	Angle	Ext. (cw)	Pipe	Pipe OD	Connector	Hole	Horz Size	Up ( )	Offset
Invert 1	911.28'	90°	26"	18" HDPE	21.2"	Hole 24	24"	24"	-1.625"	0"
Invert 2										
Invert 3										
Invert 4										
Invert 5										
Invert 6										
Invert 7										
Invert 8										

**RIGHT-SIDE UP VIEW (int. dimensions)**

**UPSIDE-DOWN VIEW (int. dimensions)**



**INSIDE WALL DIMENSIONS**



Coating (Int):	Seam Up: Flat	Wall Thickness: 8"	Height (Int): 31"	Weight (Net): 4256 lb
Coating (Ext):	Seam Dn: n/a	Floor Height: 8"	Height (Ext): 39"	Volume (Net): 1.09cu.yd