

Structure ID: CBI-A6

P1 MH060BAVF

MH BASE Custom Ht T/n

P3) 24" x 36" - CASTING HEIGHT - 6" P2) 60" - MH FLAT TOP w/24"x36" Hole F/G - 13" P1) 60" - MH BASE Custom Ht T/n - 57" 1) CASTING - HOE 525 LV SET (F/G/H) 1) 60" - Con Seal CS-102 1.00" 1) 24" x 36" - Con Seal CS-102 1.00" 1) Hole - 38 1) Hole - 30 1) Hole - 24 5) MH Step ML-10-TDS-NCR - 10"	0 lb 3499 lb 7470 lb 442 lb 0 lb 0 lb 0 lb 0 lb 0 lb 0 lb 0 lb 0 lb	Structure Total: 11411 lb
---	--	---------------------------

Structure Notes:

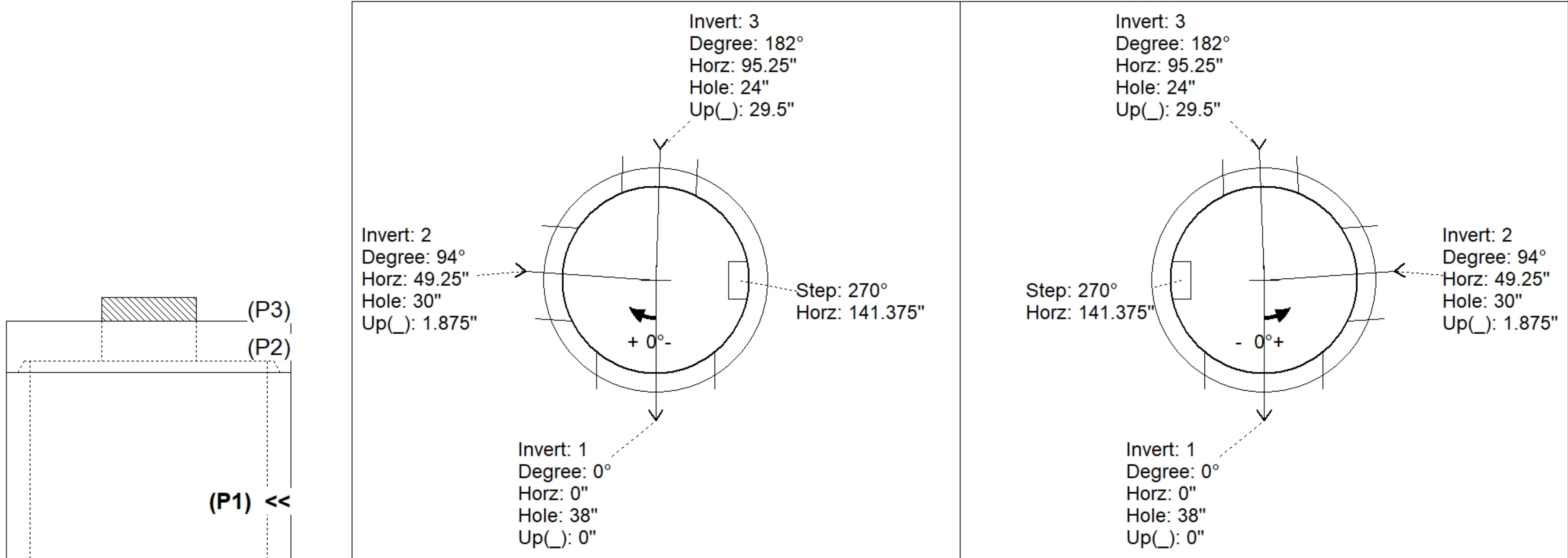
1. PER ASTM C478 SPECIFICATIONS.
2. CONCRETE = 4,000 PSI AT 28 DAYS.
3. HOE 525 BY ICAST
4. REINFORCING PER ASTM A615 (GRADE 60).
 - TOP SLAB (As .62) #5 BARS AT 6" C.C.E.W..
 - RISER/WALLS (As .18)
 - FLOOR (As .37) #5 BARS AT 10" C.C.E.W.

Rim: 887.78' Rim to Invert: 6.19' Slack: 0.83" Sump: 2.55" Step Position: 270°

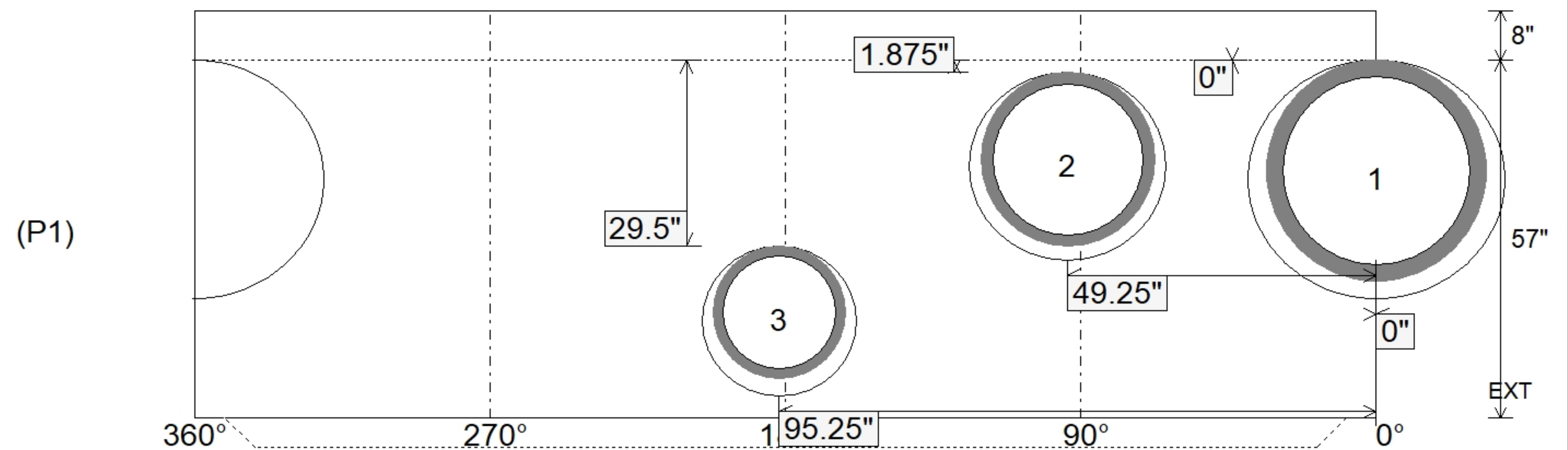
Position	Elev	Angle	Ext. (cw)	Pipe	Pipe OD	Connector	Hole	Horz Size	Up ()	Offset
Invert 1	881.59'	0°	0"	30" HDPE	35.1"	Hole 38	38"	41.151"	0"	0"
Invert 2	881.69'	94°	59"	24" HDPE	27.8"	Hole 30	30"	31.416"	1.875"	0"
Invert 3	883.97'	182°	114.375"	18" HDPE	21.2"	Hole 24	24"	24.691"	29.5"	0"
Invert 4										
Invert 5										
Invert 6										
Invert 7										
Invert 8										

RIGHT-SIDE UP VIEW (int. dimensions)

UPSIDE-DOWN VIEW (int. dimensions)



INSIDE WALL DIMENSIONS



Coating (Int): Coating (Ext):	Seam Up: Tongue Seam Dn: n/a	Wall Thickness: 6" Floor Height: 8"	Height (Int): 57" Height (Ext): 65"	Weight (Net): 7470 lb Volume (Net): 1.91cu.yd
----------------------------------	---------------------------------	--	--	--