

Job Name: 25-3283 - Whitley County Detention Center
 Job Location: Williamsburg, KY
 Contractor: Rising Sun Development Company

Plant: 100

Tech: J. Horsley - F

12/17/2025 7:59:11 AM

PC: E. Bradley



Structure ID: MH1

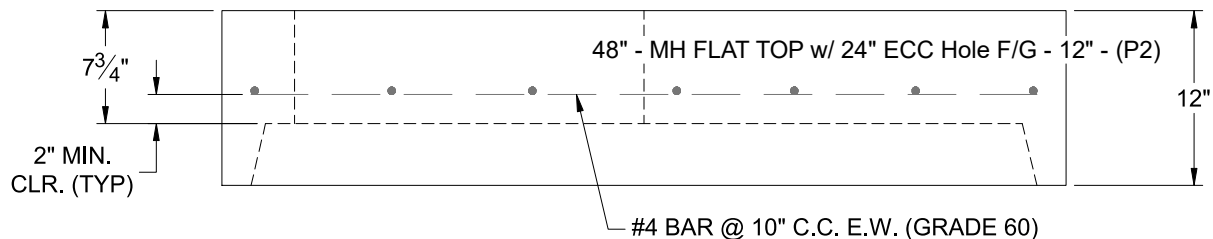
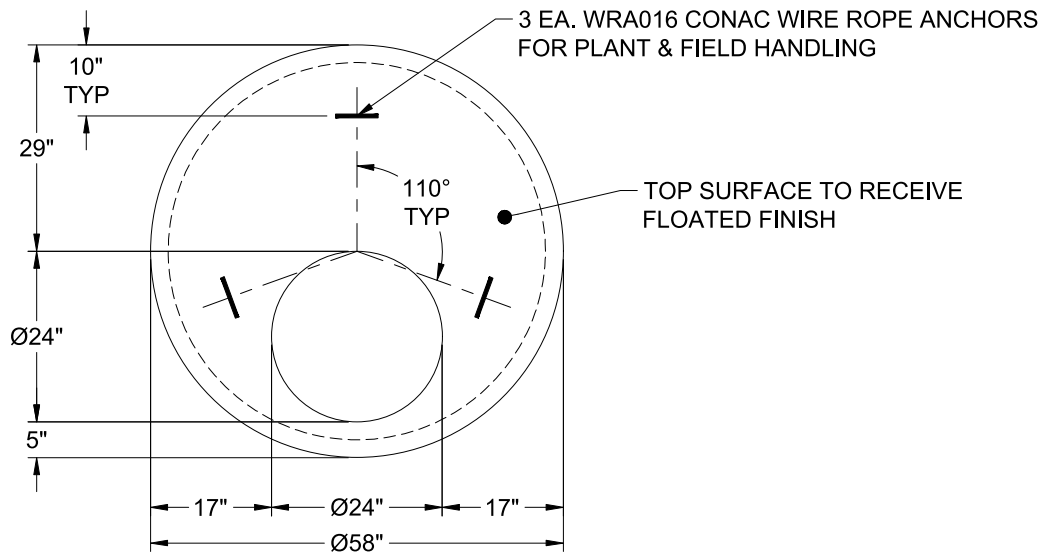
P2 MH048LD12ECC

MH FLAT TOP w/ 24" ECC Hole F/G

- P3) 24" - CASTING HEIGHT - 7"
- P2) 48" - MH FLAT TOP w/ 24" ECC Hole F/G - 12"
- P1) 48" - MH BASE T/n - 36"
- 1) 48" - Conseal CS-102 1.00"
- 1) Hole - 16
- 1) Hole - 14
- 1) Hole - 10

- 0 lb
- 1561 lb
- 3661 lb
- 0 lb
- 0 lb
- 0 lb
- 0 lb
- 0 lb
- Structure Total: 5222 lb

- Structure Notes:**
1. PER ASTM C-478 SPECIFICATIONS
 2. CONCRETE: 4,000 PSI AT 28 DAYS
 3. REINFORCEMENT: #4 BAR @ 10" C.C. E.W. (GRADE 60) - 2" MIN. REBAR CLEARANCE (TYP)
 4. NO STEPS
 5. NO INVERT CHANNEL
 6. CASTING SUPPLIED BY OTHERS (HOE MC-315 FRAME & COVER "STORM")
 7. LIFTERS: 3 EA. WRA016 CONAC WIRE ROPE ANCHORS FOR PLANT & FIELD HANDLING



Coating (Int):
 Coating (Ext):

Seam Up: Flat
 Seam Dn: Groove

Wall Thickness: 5"

Height (Ext): 12"

Weight (Net): 1561 lb
 Volume (Net): 0.42cu.yd