

Job Name: 25-3283 - Whitley County Detention Center
Job Location: Williamsburg, KY
Contractor: Rising Sun Development Company

PC: E. Bradley
 TECH: J. Horsley - F
 Plant: 100



Structure ID: **DB5**
 Spec: Storm
 Type: STM.MH (Recessed pipe)
 Size: 48"

Rim: 1083.09'
 Invert: 1078.29'
 Rim to Invert: 4.8'

Sump: 0"
 Floor (Top): 1078.29'
 Floor Height: 6"

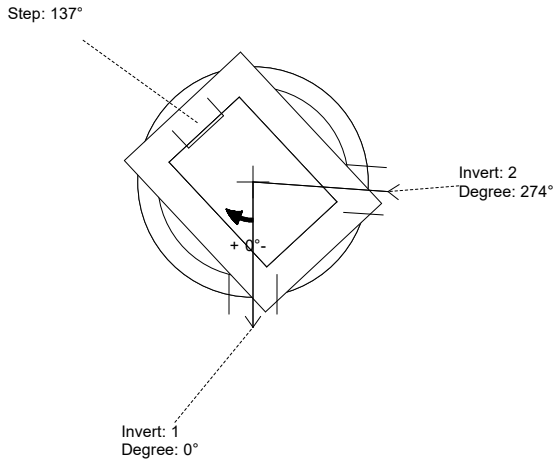
Floor (Bot): 1077.79'
 Overall Height: 5.25'
 Slack: 0.6"

Structure Notes:

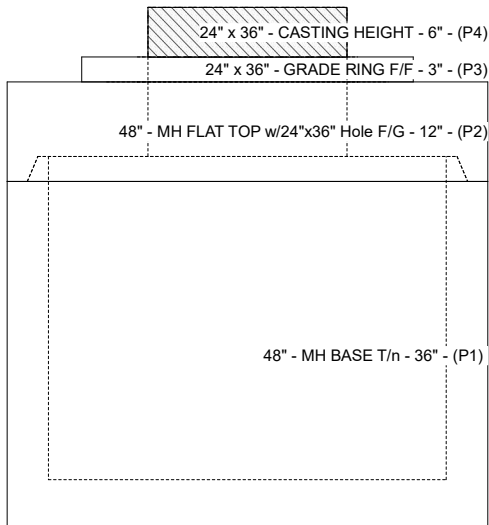
- PER ASTM C-478 SPECIFICATIONS
- CONCRETE: 4,000 PSI AT 28 DAYS
- REINFORCEMENT:
 - FLAT LID: #4 BAR @ 10" C.C. E.W. (GRADE 60)
 - BASE: PER ASTM A615
- STEPS AT 137 DEGREES
- NO INVERT CHANNEL
- CASTING SUPPLIED BY OTHERS (HOE 525 LV SET (FRAME / GRATE / CURB HOOD))

STRUCTURE SUMMARY:

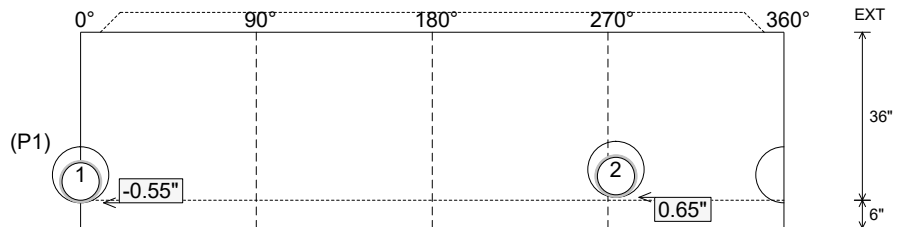
P4) 24" x 36" - CASTING HEIGHT - 6"	0 lb
P3) 24" x 36" - GRADE RING F/F - 3"	306 lb
P2) 48" - MH FLAT TOP w/24"x36" Hole F/G - 12"	1300 lb
P1) 48" - MH BASE T/n - 36"	3749 lb
1) 48" - Conseal CS-102 1.00"	0 lb
2) 24" x 36" - Conseal CS-102 1.00"	0 lb
2) Hole - 12	0 lb
3) MH Step ML-10-TDS-NCR - 10"	0 lb
Structure Total:	5355 lb



Position	Elev	Angle	Pipe	Pipe OD	Hole	Connector	Up (")	Ref
Rim	1083.09'							
Reducer								
Invert 1	1078.29'	0°	8" HDPE	9.1"	12"	Hole 12	-0.55"	P1
Invert 2	1078.39'	274°	8" HDPE	9.1"	12"	Hole 12	0.65"	P1
Invert 3								
Invert 4								
Invert 5								
Invert 6								
Invert 7								
Invert 8								



Cast (Int. Dim.) - Interior Dimensions



Submittal Drawing
 12/17/2025 7:50:05 AM

SUBMITTAL
 APPROVED BY: