

Job Name: 25-3283 - Whitley County Detention Center
 Job Location: Williamsburg, KY
 Contractor: Rising Sun Development Company

Plant: 100

12/17/2025 7:59:12 AM

Tech: J. Horsley - F

PC: E. Bradley



Structure ID: DB4

P4 GR24x36x8x3

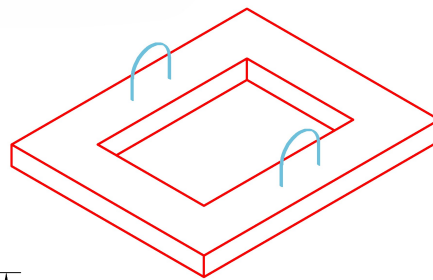
GRADE RING F/F

- P5) 24" x 36" - CASTING HEIGHT - 6"
- P4) 24" x 36" - GRADE RING F/F - 3"
- P3) 48" - MH FLAT TOP w/24"x36" Hole F/G - 12"
- P2) 48" - MH RISER T/G - 36"
- P1) 48" - MH BASE T/n - 42"
- 2) 48" - Conseal CS-102 1.00"
- 2) 24" x 36" - Conseal CS-102 1.00"
- 1) Hole - 16
- 1) Hole - 12
- 7) MH Step ML-10-TDS-NCR - 10"

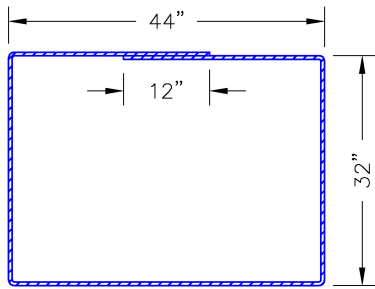
0 lb
306 lb
1300 lb
2515 lb
4131 lb
0 lb
0 lb
0 lb
0 lb
0 lb

Structure Total: 8252 lb

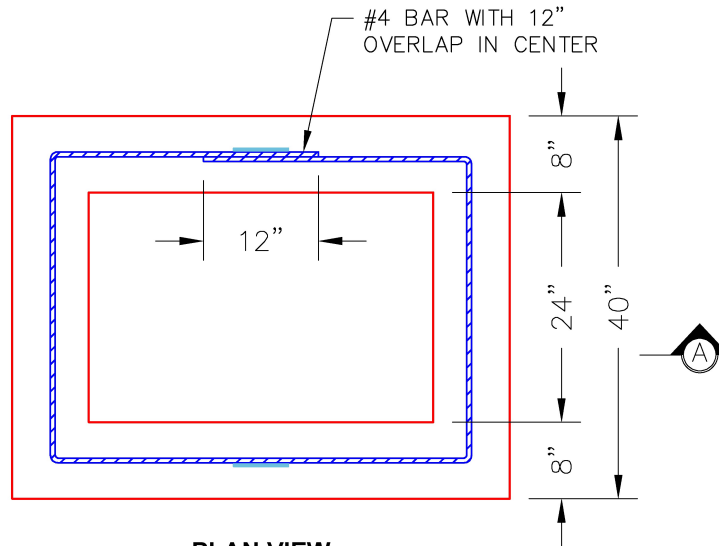
- Structure Notes:**
1. PER ASTM C-913 SPECIFICATIONS
 2. CONCRETE: 4,000 PSI AT 28 DAYS
 3. REINFORCEMENT: #4 BAR AS SHOWN (GRADE 60)
 4. LIFTERS: 2 EA. WRA016 CONAC WIRE ROPE ANCHORS FOR PLANT & FIELD HANDLING



ISOMETRIC VIEW

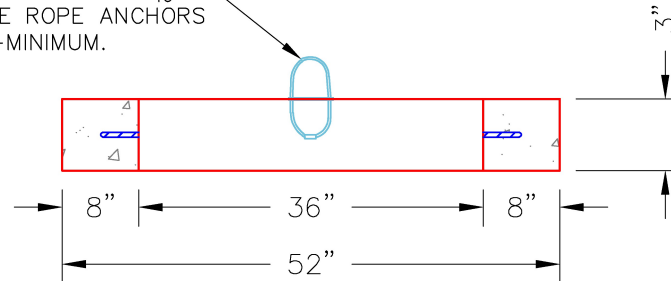


#4 BAR REINFORCING



PLAN VIEW

2 EA. CONAC .8 TON $8\frac{1}{16}$ " (6MM) WIRE ROPE ANCHORS REQUIRED—MINIMUM.



SECTION A-A

Coating (Int):
Coating (Ext):

Seam Up: Flat
Seam Dn: Flat

Wall Thickness: 8"

Height (Ext): 3"

Weight (Net): 306 lb
Volume (Net): 0.08cu.yd